

GPS ACTIVE ROOF SCREW MOUNT ANTENNA+RG174 L=5M+SMA PLUG



Ceramic Path Specification:

Model No.	GPS-02
Operating Frequency	T1 1575.42±1.023 MHz
Antenna Type	ROOF SCREW MOUNT
Output Impedance	50 ohms
Polarization	R.H.C.P.
Bandwidth	10 MHz min. @S11<=-10 dB
Gain at 10° elevation	-1 dBic Typ.
Axial Ratio	3.0 dB Typ.

LNA/Filter Specification:

Operating Frequency	T1 1575.42±1.023 MHz
Gain	28 Db Typ.
Noise Figure	1.5 Typ.
Filter	DR Filter

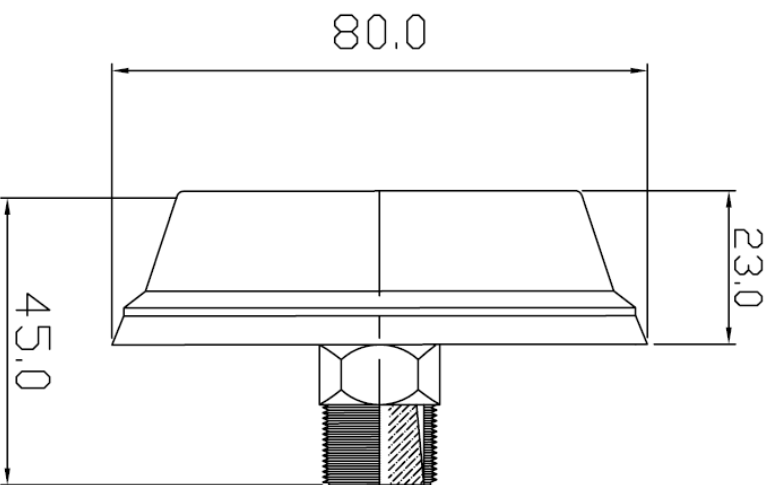
	20dB 30dB min @ $f_0 \pm 50\text{MHz}$
	30dB 35dB min @ $f_0 \pm 50\text{MHz}$
	* $f_0 = 1575.42\text{ MHz}$
Output VSWR	2.0 Max
Voltage	2.3~5.5V
Current	2.5V : 6.6mA Typical
	3V : 8.6mA Typical
	4V : 12.6mA Typical
	5V : 16.6mA Typical

General specification:

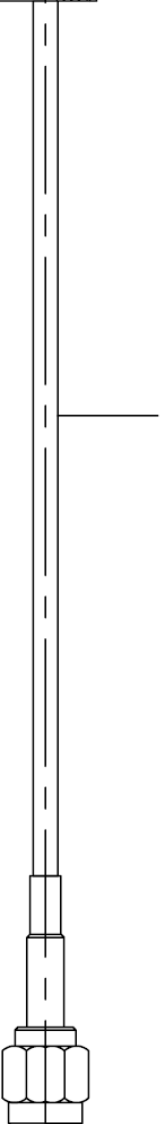
Dimensions	L 80Xw80xH45 mm
Antenna Color	Black
Coaxial Cable	RG174 Length=5M (Option)
Cable Connector	SMA MALE (Option)
Operating Temperature	-30°C to +85°C
Storage Temperature	-40°C to +90°C

GPS-02

GPS ACTIVE 28dB ROOF SCREW MOUNT+RG174(5M)+SMA PLUG (Option)



CABLE:RG174 Length=3M (Option)



SMA PLUG (Option)

1	FREQUENCY : 1575MHz	6	IMPEDANCE : 50 Ω
2	GAIN : GPS ACTIVE 28dB	7	
3	V.S.W.R : <1.7	8	
4	CABLE LENGTH : RG174 5M (Option)	9	
5	CONNECTOR : FME & SMA ... (Option)	10	

