

824-894/880-960/1710-1880/1850-1990/2110-2170MHz DIPOLE 0-2dBi FOR SMA PLUG



Specifications/Special Features :

Global System for Mobile Communication

824-894/880-960/1710-1880/1850-1990/2110-2

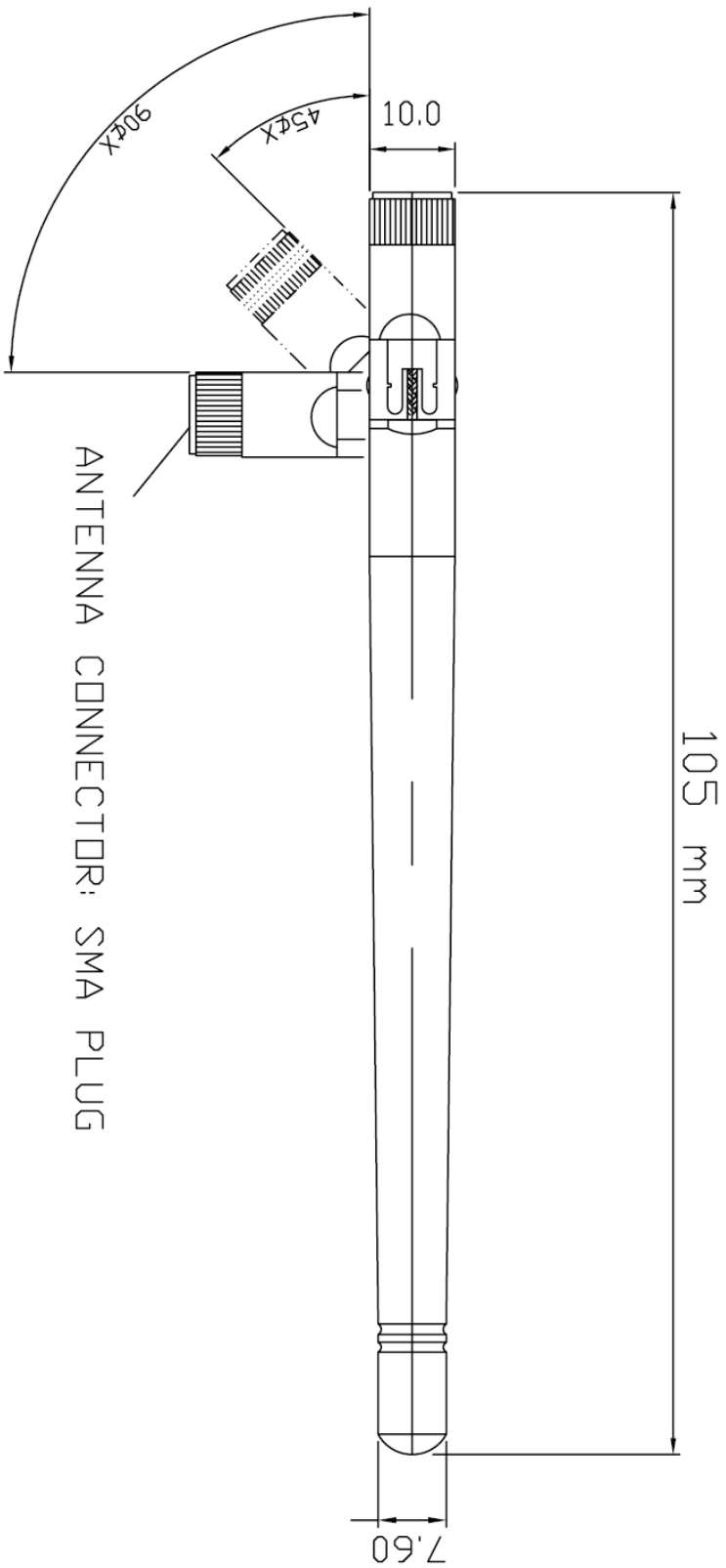
170MHz phone antenna,

Broadband design for GSM/3G/UMTS systems.

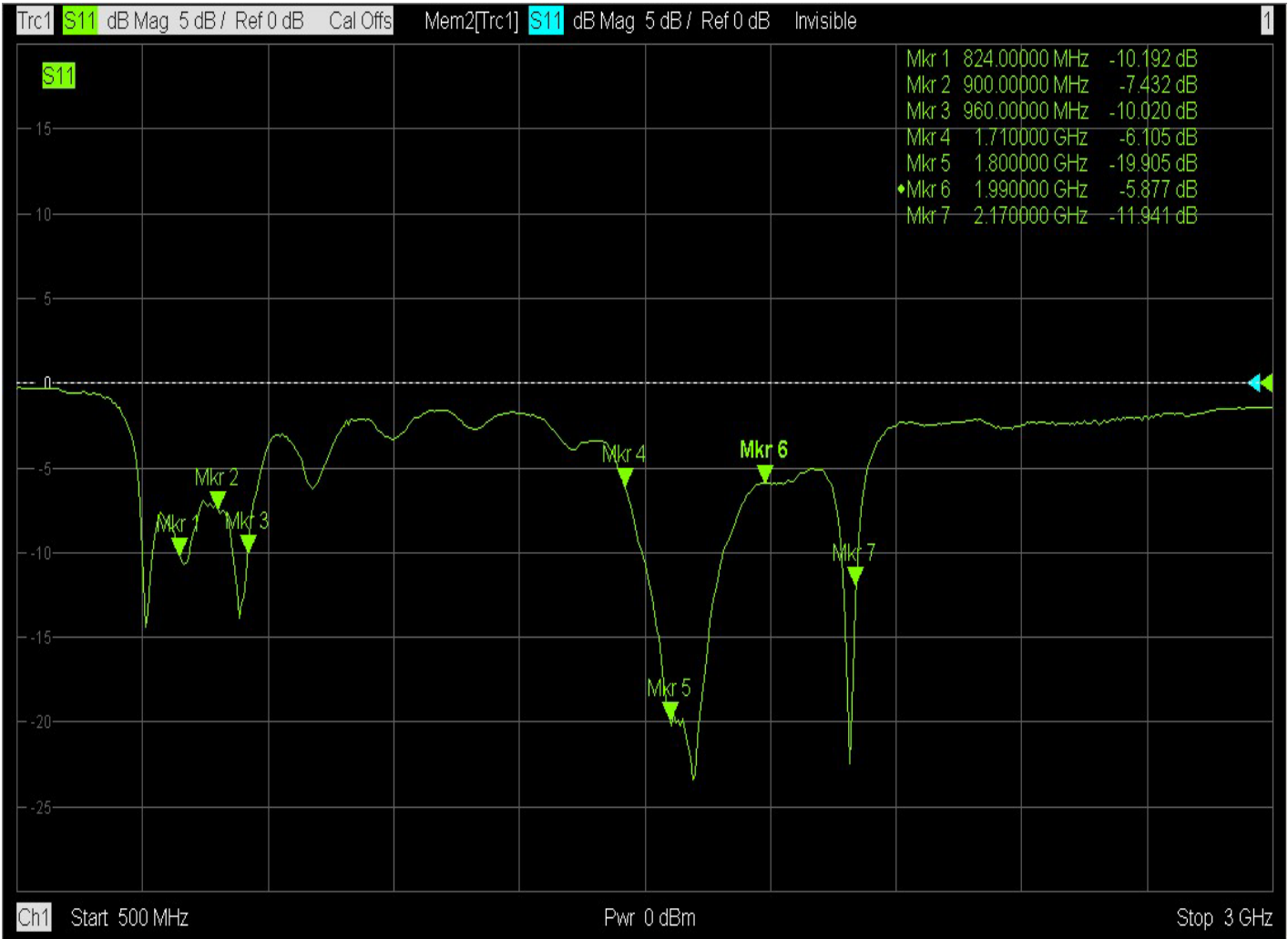
Specification	
Model No.	DA-8221-01
Antenna Connector	SMA PLUG (Option)
Frequency	824-894/880-960/1710-1880/1850-1990/2110-2170 MHz
Gain	2dBi
Polarization	Vertical
VSWR	$\leq 3.0 : 1$
Power	20 Watts
Operation temperature	-20°C ~+70°C
Antenna Color	black
Weight	13g
Size	L105×W10×H10 mm

DA-8221-01

824-894/880-960/1710-1880/1850-1990/2110-2170MHz DIPOLE 0-2dBi FOR SMA PLUG

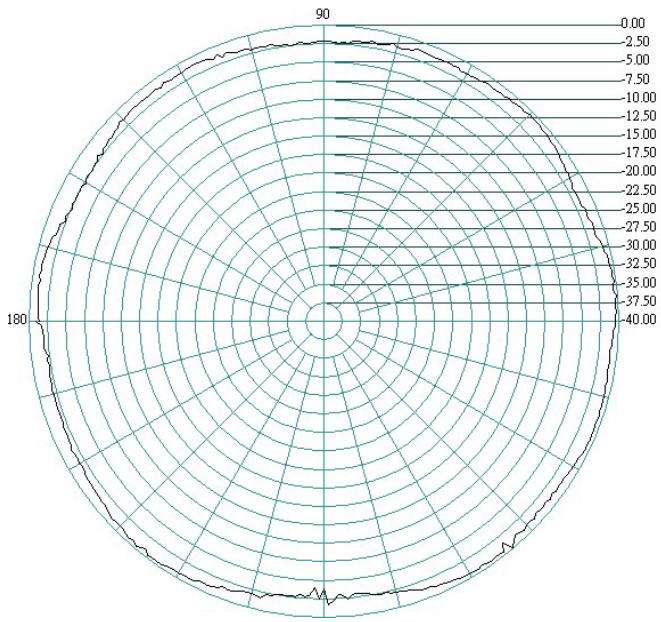


1	FREQUENCY : 824-894/880-960/1710-1880/1850-1990/2110-2170MHz	6	IMPEDANCE : 50 Ω
2	GAIN : 2dBi	7	
3	V.S.W.R : <=3.0:1	8	
4	LENGTH : L105xW10xH10 mm	9	
5	CONNECTOR : SMA PLUG (Option)	10	



H-PLANE

Antenna Pattern



E-PLANE

Antenna Pattern

