

824-894-880-960/1710-1880-1850-1990/2110-2170MHz DIPOLE 0-3.5dBi FOR SMA
PLUG(Antenna Plane to the left and right)

ROHS



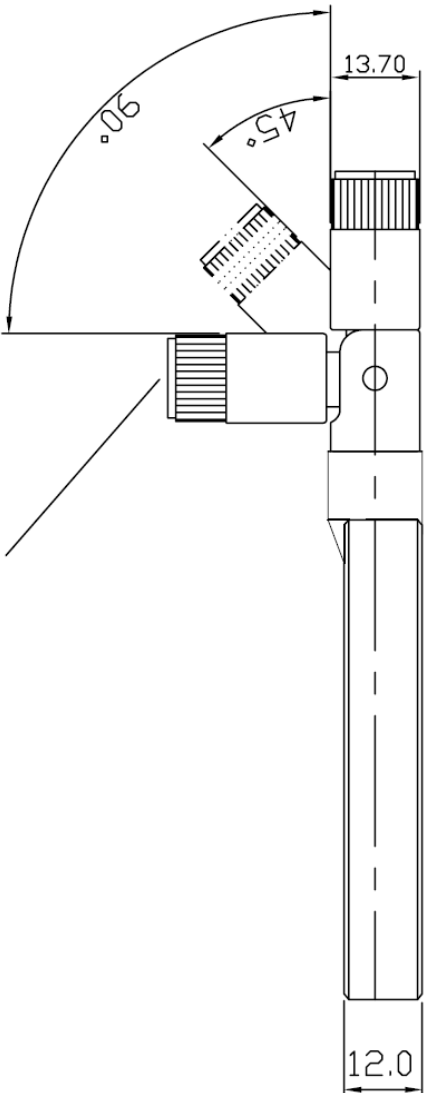
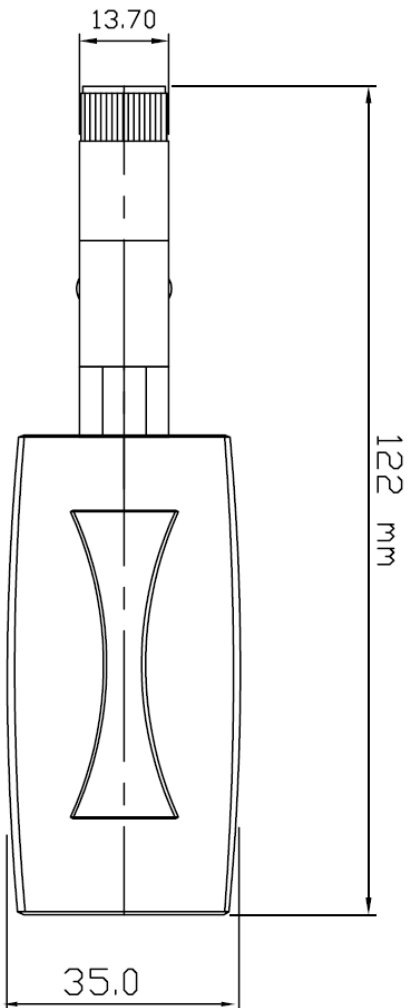
Specifications/Special Features :

This antenna is designed for GSM/WCDMA/UMTS
wireless communications

Specification	
Model No.	DA-8221-02-1
Frequency	824-894-880-960/1710-1880-1850-1990/2110-2170MHz
Gain (dBi)	0-3.5 dBi
Type	Dipole
Polarization	Vertical
Impedance	50Ω
Beam width deg.	Horz.360° Vert.100°
VSWR	≤3.5
Cable Connector	SMA MALE (Option)
Size	L120XW12xH35.5 mm
Weight	39g

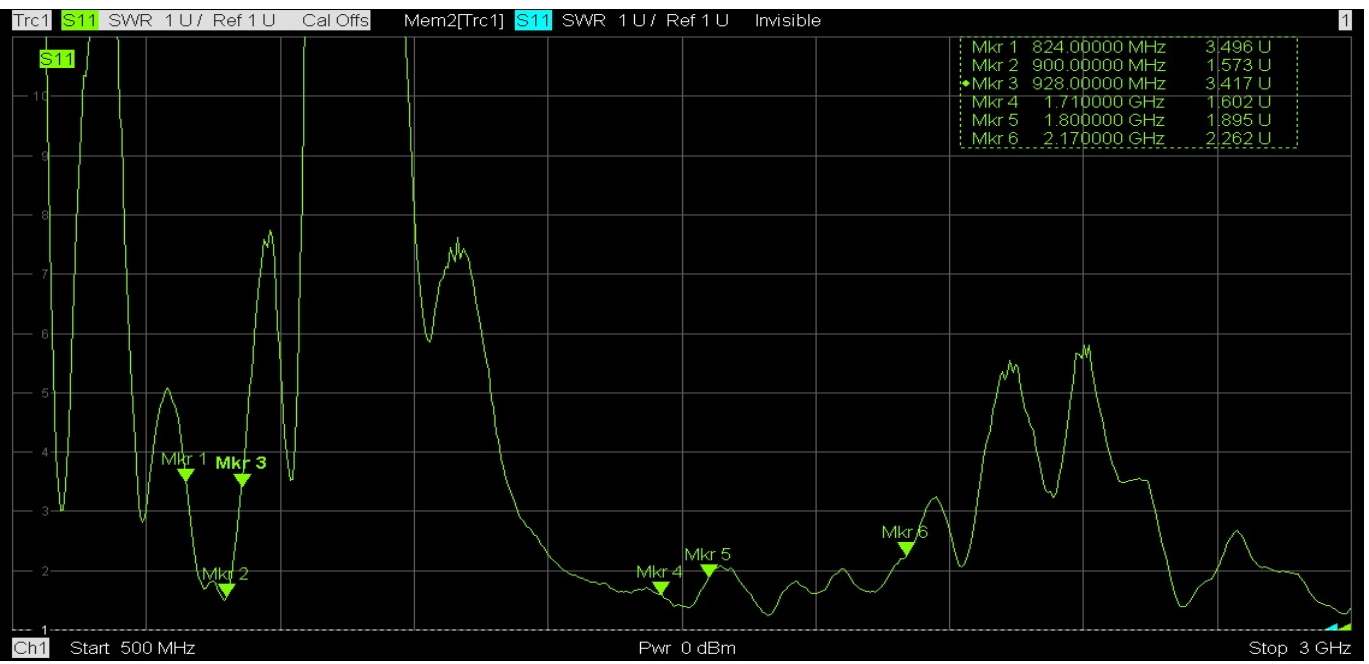
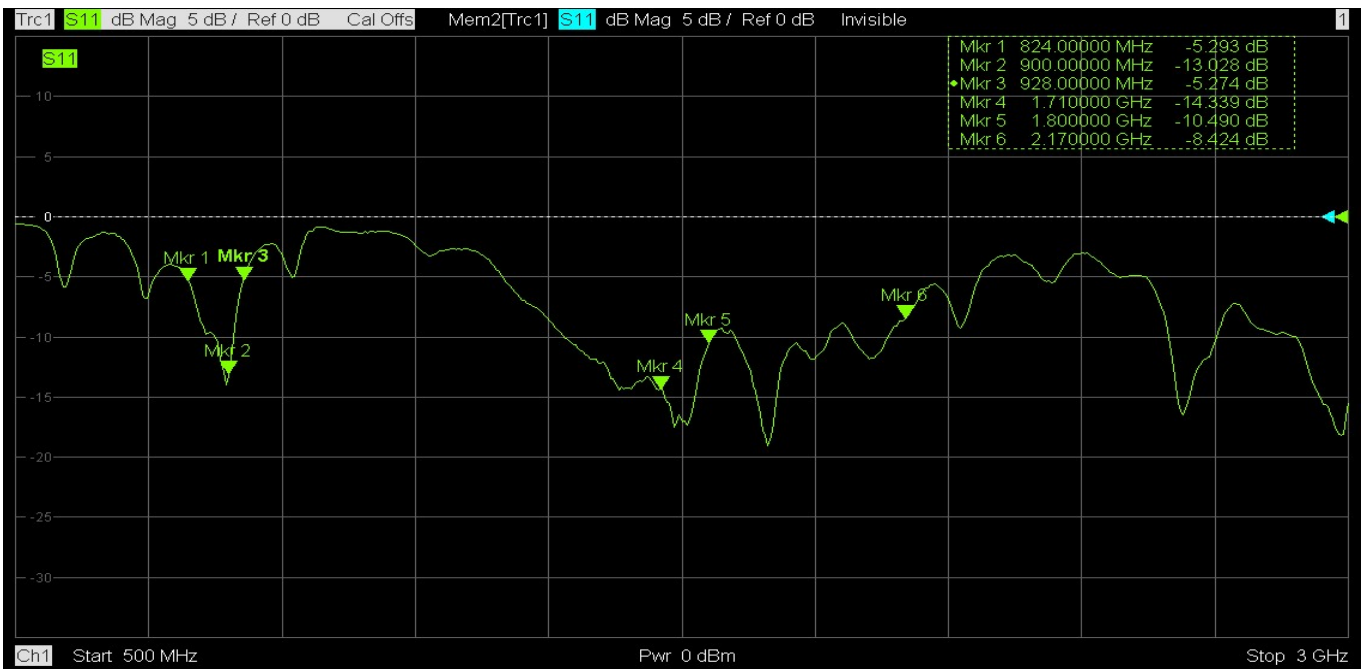
DA-8221-02

824-894-880-960/1710-1880-1850-1990/2110-2170MHz DIPOLE 0-3.5dBi FOR SMA PLUG(Antenna Plane to the front and rear)



ANTENNA CONNECTOR: SMA PLUG (Option)

1	FREQUENCY: 824-894-880-960/1710-1880-1850-1990/2110-2170MHz	6	IMPEDANCE : 50 Ω
2	GAIN : 0-3.5 dBi	7	SIZE: L120xW12xH35.5 mm
3	V.S.W.R : <=3.5	8	
4	Polarization : Vertical	9	
5	ANTENNA CONNECTOR: SMA PLUG (Option)	10	



H-PLANE

E-PLANE

