



長 宏 科 技 有 限 公 司
Chang Hong Information Co., Ltd.

GSM 850/900/1800/1900/2100MHz 3dBi T TYPE PATCH ANTENNA+RG174(3M)+SMA PLUG

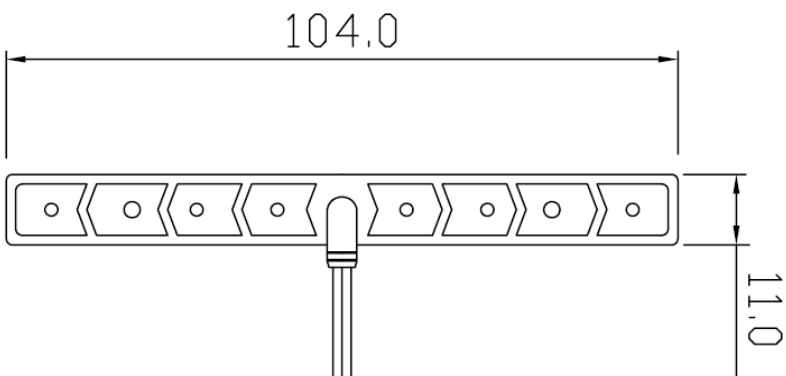


Specifications/Special Features :
Global System for Mobile Communication
850/900/1800/1900/2100 MHz phone antenna,
Broadband design for GSM/UMTS/WCDMA systems.

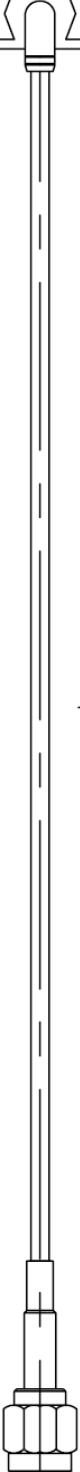
Specification	
Model No.	GSM-07
Antenna Type	Patch antenna
Mounting	Double-side tape
Operating Frequency	850/950/1800/1900/2100 MHz
Gain	3 dBi
VSWR	<1.8
Power	10 Watts
Impedance	50 ohms
Polarization	Vertical
Dimensions	L104XW11xH3.5 mm
Cable	RG174 Length=3M (Option)
Cable Connector	SMA PLUG (Option)

GSM-07

GSM 850/900/1800/1900/2100MHz 3dBi T TYPE PATCH ANTENNA+RG174(3M)+SMA PLUG

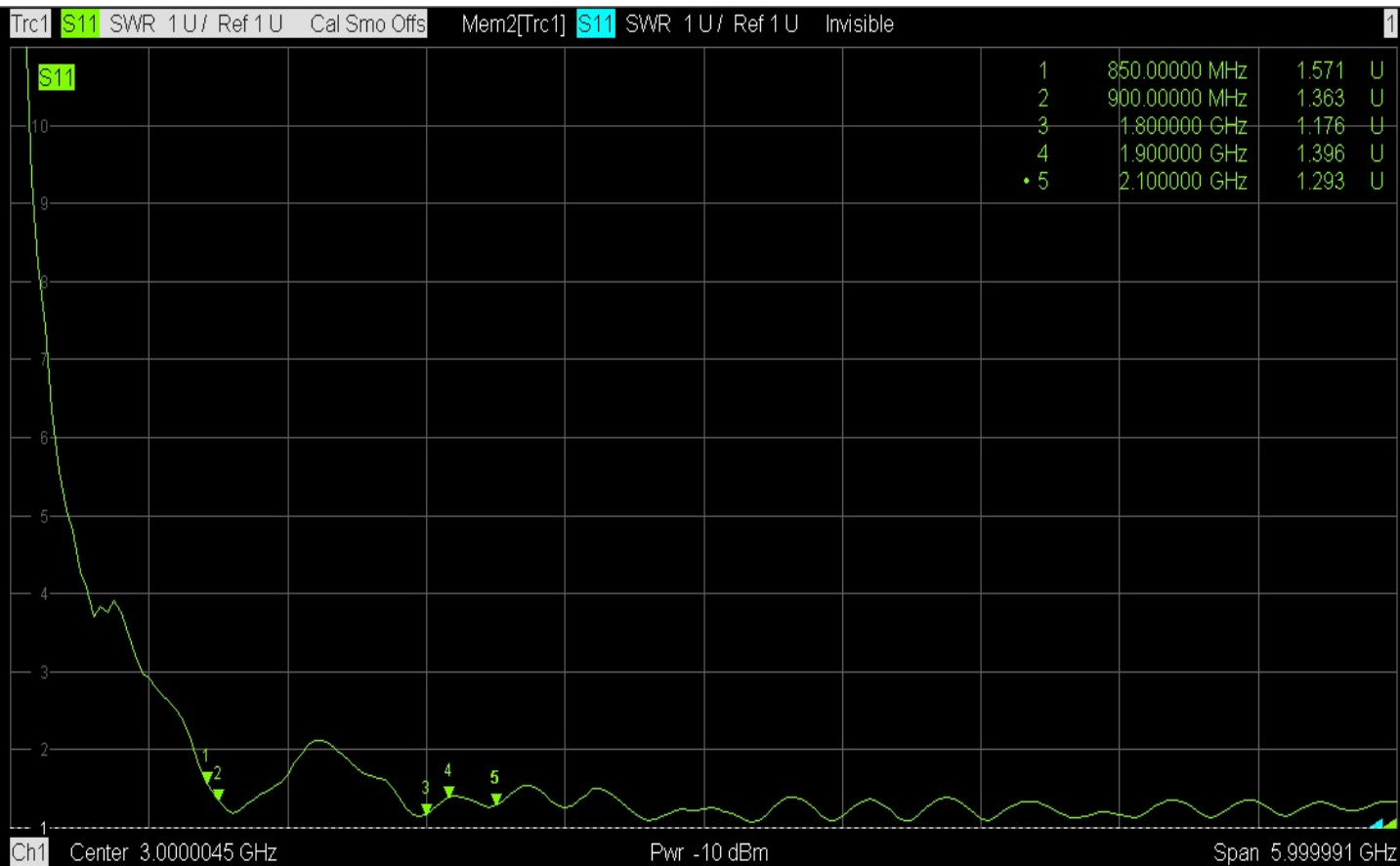
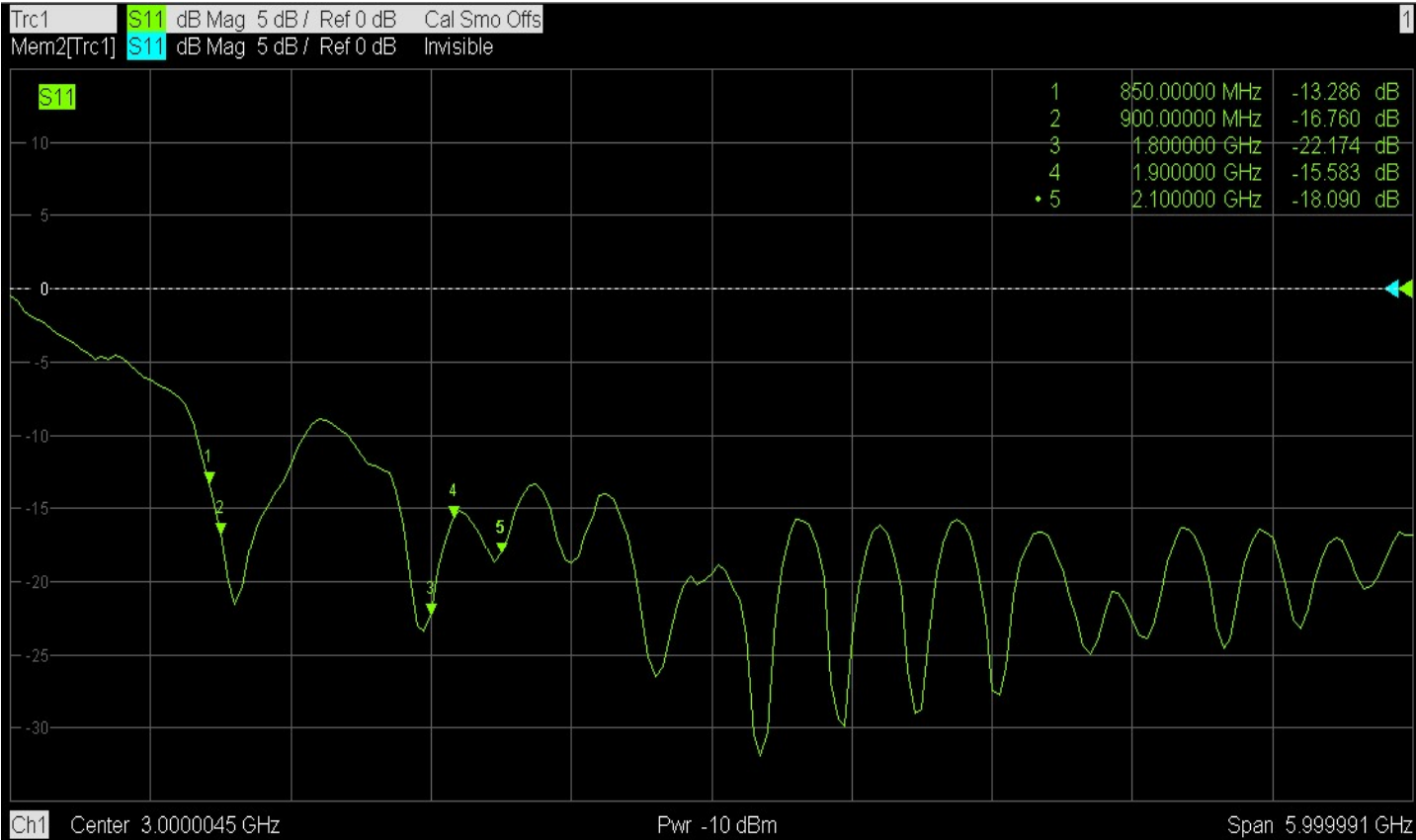


CABLE:RG174 Length=3M (Option)

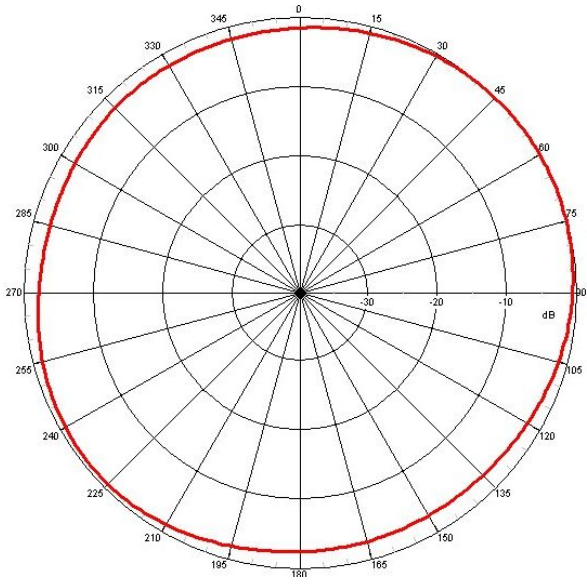


SMA PLUG (Option)

1	FREQUENCY : 850/900/1800/1900/2100 MHz	6	IMPEDANCE : 50 Ω
2	GAIN : 3dBi	7	
3	V.S.W.R : <1.8	8	
4	LENGTH : L104×W11×H3.5 mm	9	
5	CONNECTOR : SMA PLUG (Option)	10	



H-PLANE



E-PLANE

