



長 宏 科 技 有 限 公 司
Chang Hong Information Co., Ltd.

2.4-2.5GHz 5dBi CEILING+CLF100+ FOR SMA PLUG RP L=30CM

ROHS



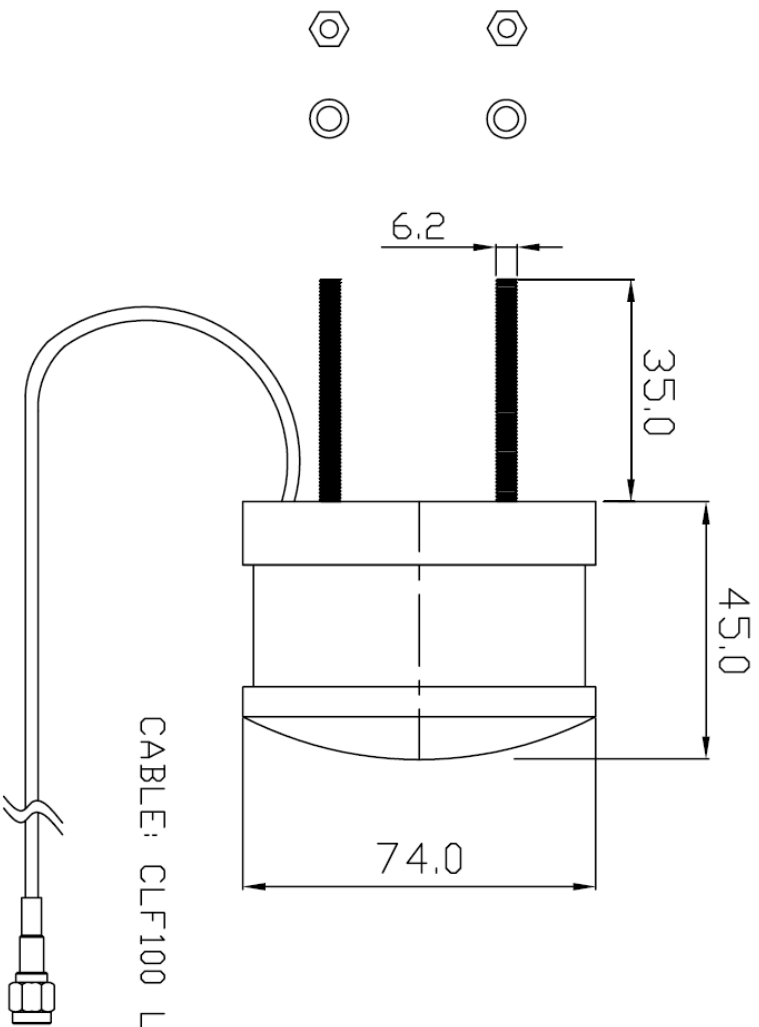
Specifications/Special Features :
This antenna is designed for wifi wireless communications

Specification	
Model No.	CA-24-05
Operating Frequency	2400-2500 MHz
Antenna Type	Ceiling
Gain	5dBi
VSWR	< 1.7
Polarization	Linear Vertical
Temperature	-40 to +85 °C
Max Power	100W
Cable Connector	SMA PLUG RP (Option)
Cable	LOW LOSS CLF100 Length=30CM (Option)
Impednce	50Ω
Dimension	L45xW74xH74mm

CA-24-05

2.4-2.5GHz CEILING S&BI+CLF100+ FDR SMA PLUG RP

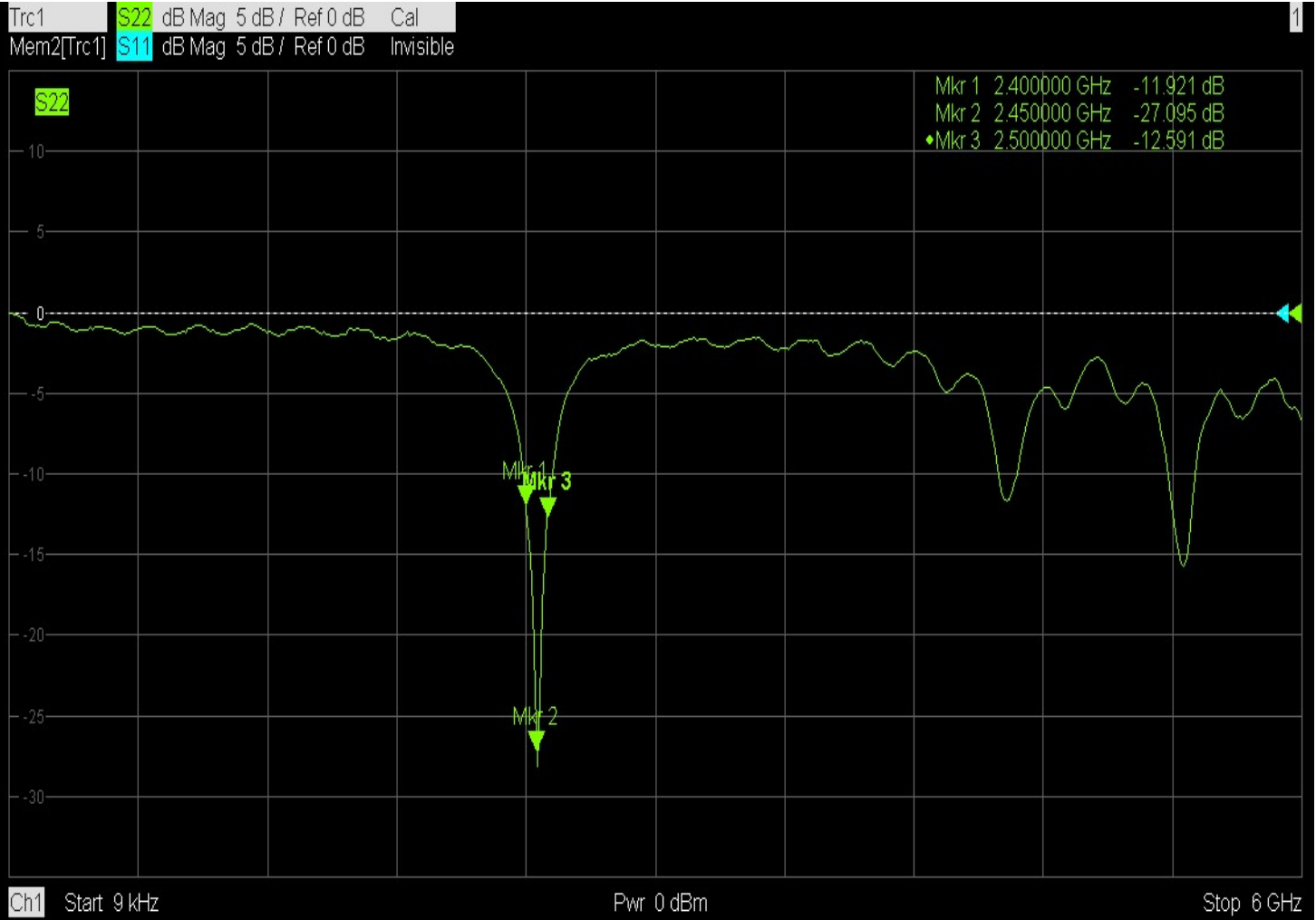
L=30CM



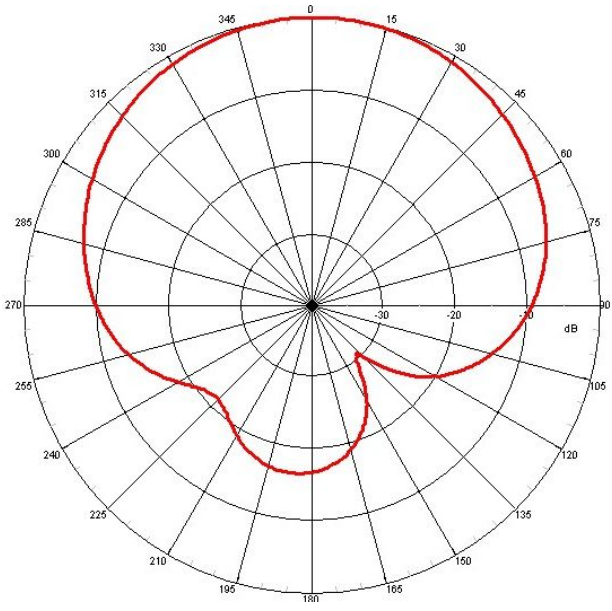
CABLE: CLF100 L=30CM

SMA MALE RP (Option)

1	FREQUENCY RANGE : 2400-2500MHZ	7	Dimensions : L74xW74xH45 mm
2	GAIN : 5dBi	8	
3	TYPE : Ceiling	9	
4	POWER HANDLING : 100W	10	
5	POLARIZATION : LINEAR VERTICAL	11	
6	VSWR : < 1.7	12	



H-PLANE



E-PLANE

