



長 宏 科 技 有 限 公 司
Chang Hong Information Co., Ltd.

2.4-2.5GHz Dipole 5dBi ANTENNA FOR SMA PLUG RP(Option)



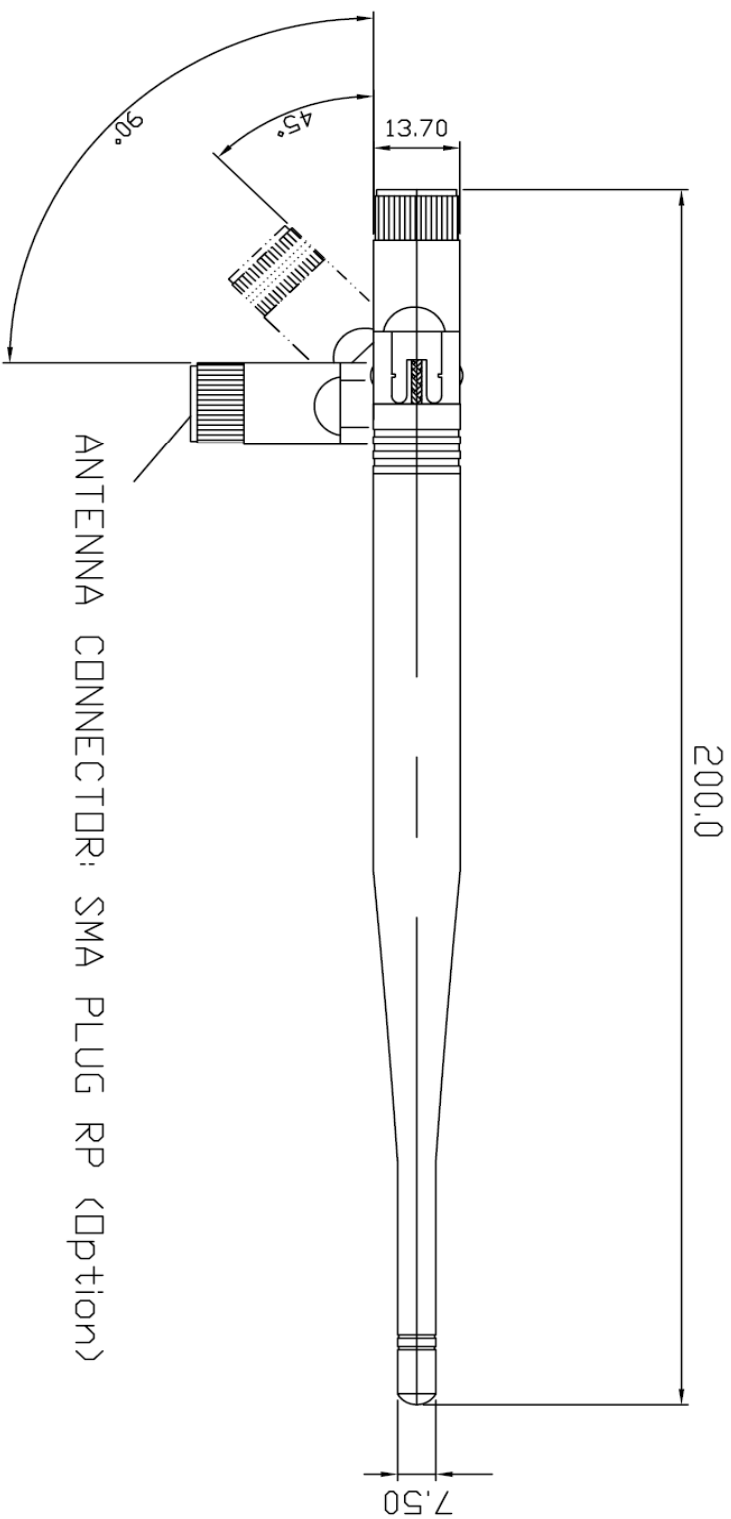
Specifications/Special Features :

This antenna is designed for wifi wireless Communications

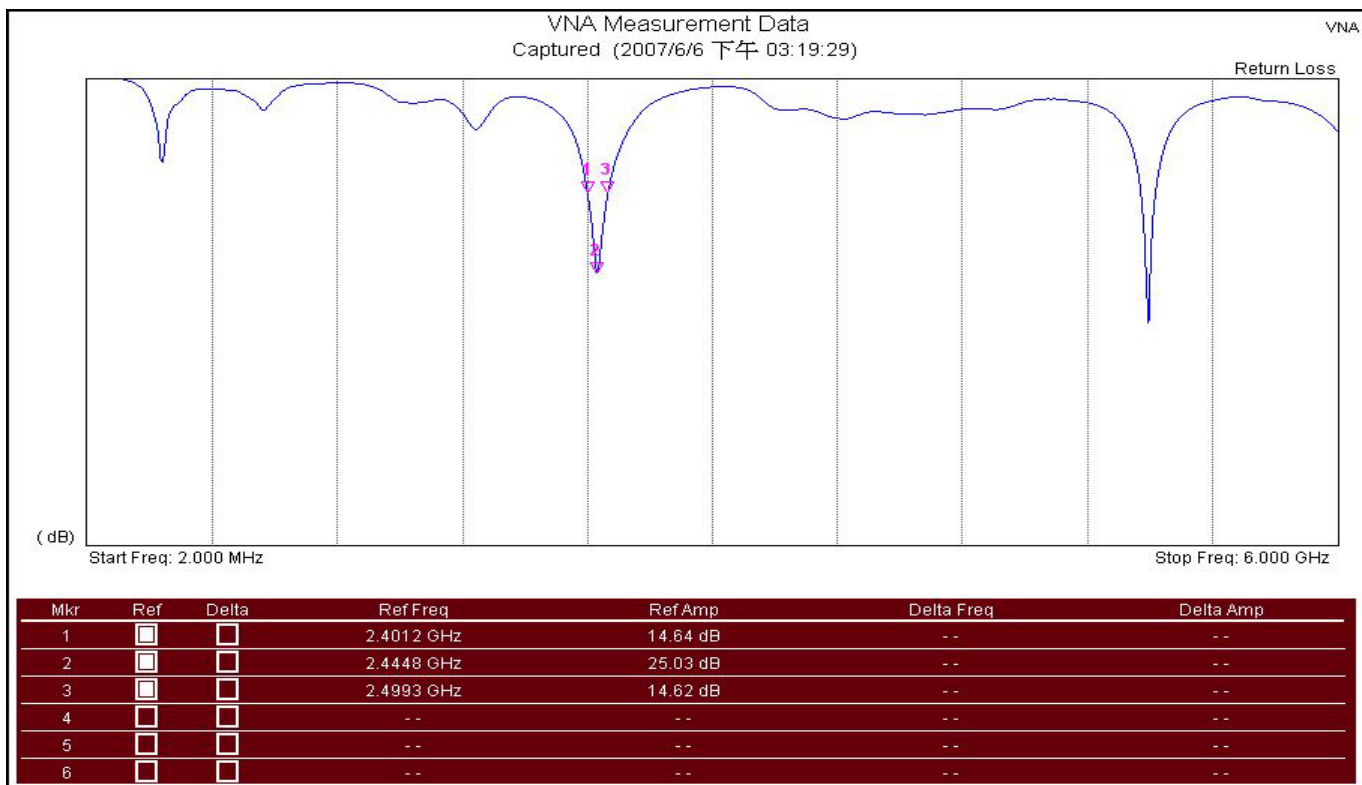
Specification	
Model No.	DA-24-01
ANTENNA CONNECTOR	SMA PLUG RP (Option)
Gain	5 dBi
Type	DIPOLE
Polarization	Linear Vertical
VSWR	$\leq 1.5 : 1$
Frequency	2400~2500MHz
Max Power	50 W
Weight	30g
Size	L200xW13.7xH13.7mm

DA-24-01

2.4-2.5GHz DIPOLE 5 DBI ANTENNA FOR SMA PLUG RP (Option)

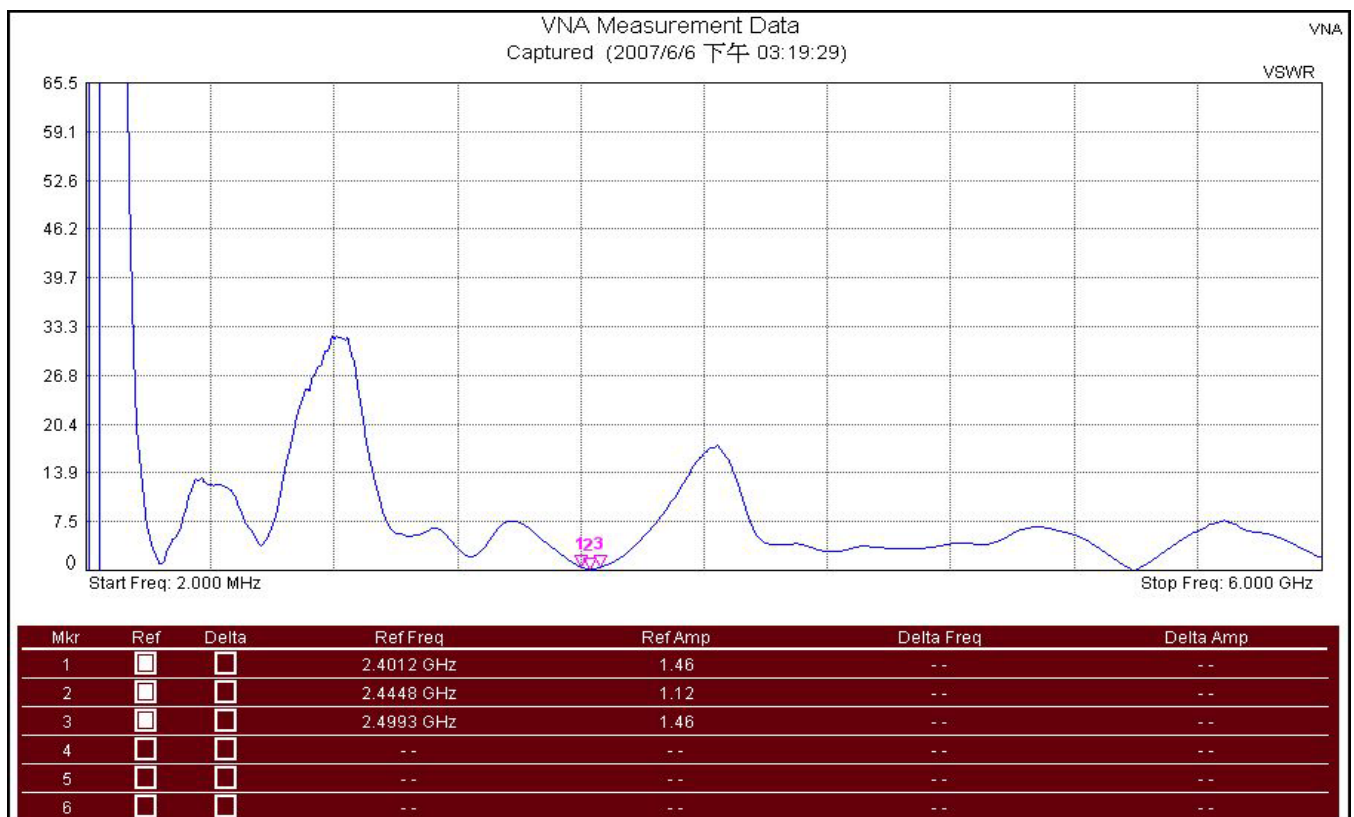


1	FREQUENCY : 2400-2500 MHz	6	IMPEDANCE : 50 Ω
2	GAIN : 5 dBi	7	
3	V.S.W.R : $\leq 1.5:1$	8	
4	ANTENNA LENGTH : L200xW13.7xH13.7 mm	9	
5	CONNECTOR : SMA PLUG RP (OPTION)	10	



Measurement Parameters

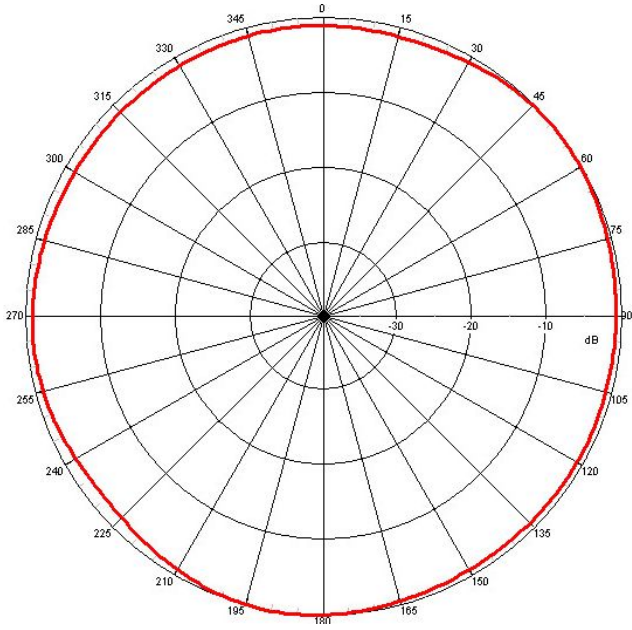
Calibration Status	On	Serial Number	651009
Data Points	551	Base Ver.	V1.48
Output Power	High	App Ver.	V1.48
Start Frequency	2.000 MHz	Date	2007/6/6 下午 03:19:29
Stop Frequency	6.000 GHz	Device Name	



Measurement Parameters

Calibration Status	On	Serial Number	651009
Data Points	551	Base Ver.	V1.48
Output Power	High	App Ver.	V1.48
Start Frequency	2.000 MHz	Date	2007/6/6 下午 03:19:29
Stop Frequency	6.000 GHz	Device Name	

H-PLANE



E-PLANE

