

77mm CIRCLE MIMO 2 PORT MAGNETIC BASE(base connector: sma jack rp)+RG174(1.5M)x2+SMA PLUG RP x2

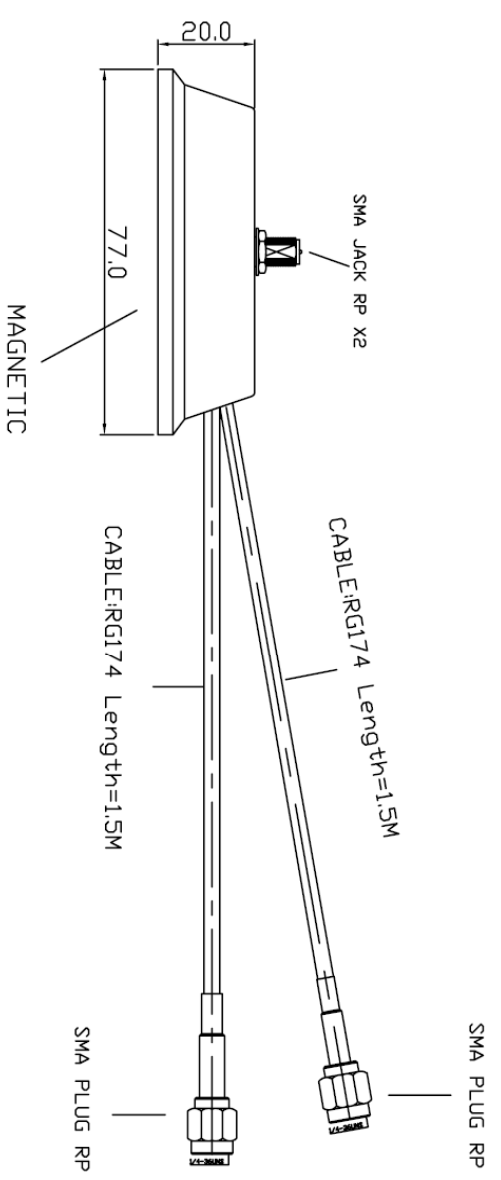
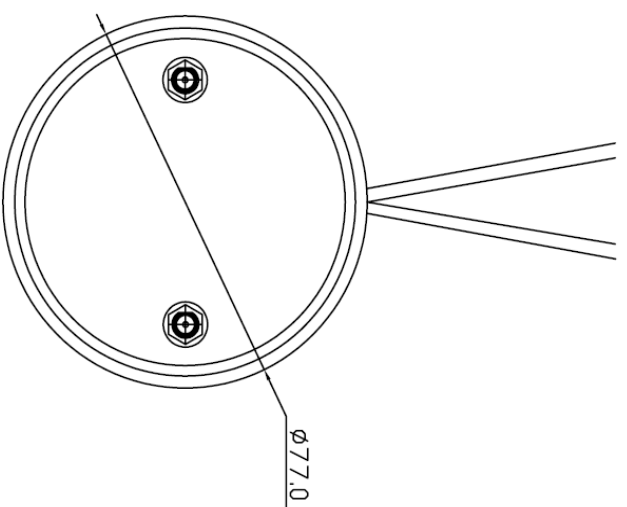
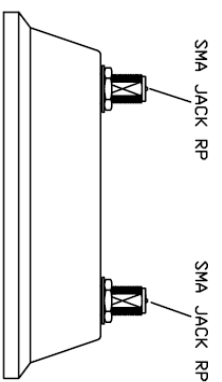
RoHS



Specification	
Model No.	BS-09
IMPEDANCE	50Ω
Base Connector	SMA JACK RP x2
Cable	RG174 x2 (Option)
Cable Length	1.5M x2 (Option)
Cable Connector	SMA PLUG RP x2 (Option)
Base Type	CIRCLE MAGNETIC BASE
Weight	155g
Size	L77×W77×H20mm

BS-09-174-1.5M-0126

MIMO 2 PORT 77mm CIRCLE MAGNETIC BASE(base connector: sma jack rp)+RG174(1.5M)x2+SMA PLUG RP x2



1	BASE CONNECTOR: SMA JACK RP x2	6	IMPEDANCE : 50 Ω
2	CABLE CONNECTOR: SMA PLUG RP x2	7	
3	CABLE: RG174 x2	8	
4	CABLE LENGTH: 1.5M	9	
5	SIZE: L77xW77x20 mm	10	