

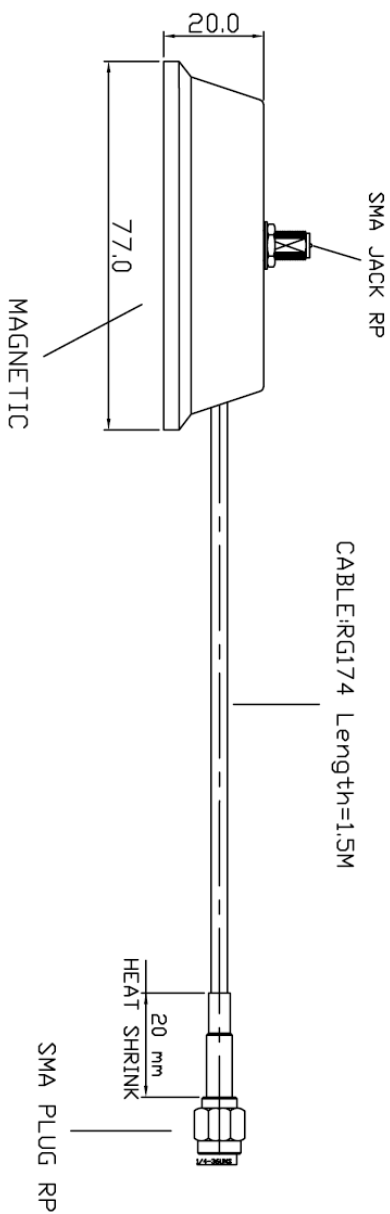
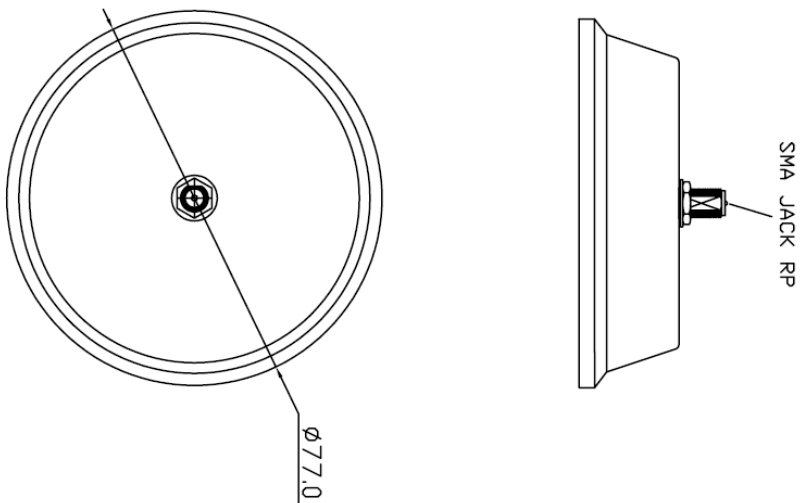
77mm CIRCLE MAGNETIC BASE(base connector: sma jack rp)+RG174(1.5M)+SMA
PLUG RP



Specification	
Model No.	BS-12
IMPEDANCE	50Ω
Base Connector	SMA JACK RP
Cable	RG174
Cable Length	1.5M
Cable Connector	SMA PLUG RP
Base Type	77mm Circle Magnetic Base
Weight	125g
Size	L77×W77×H20mm

BS-12-174-1.5M-0126

77mm CIRCLE MAGNETIC BASE(base connector: sma jack rp)+RG174(1.5M)+SMA PLUG RP



1	BASE CONNECTOR: SMA JACK RP	6	IMPEDANCE : 50 Ω
2	CABLE CONNECTOR: SMA PLUG RP	7	
3	CABLE: RG174	8	
4	CABLE LENGTH: 1.5M	9	
5	SIZE: L77xW77x20 mm	10	