



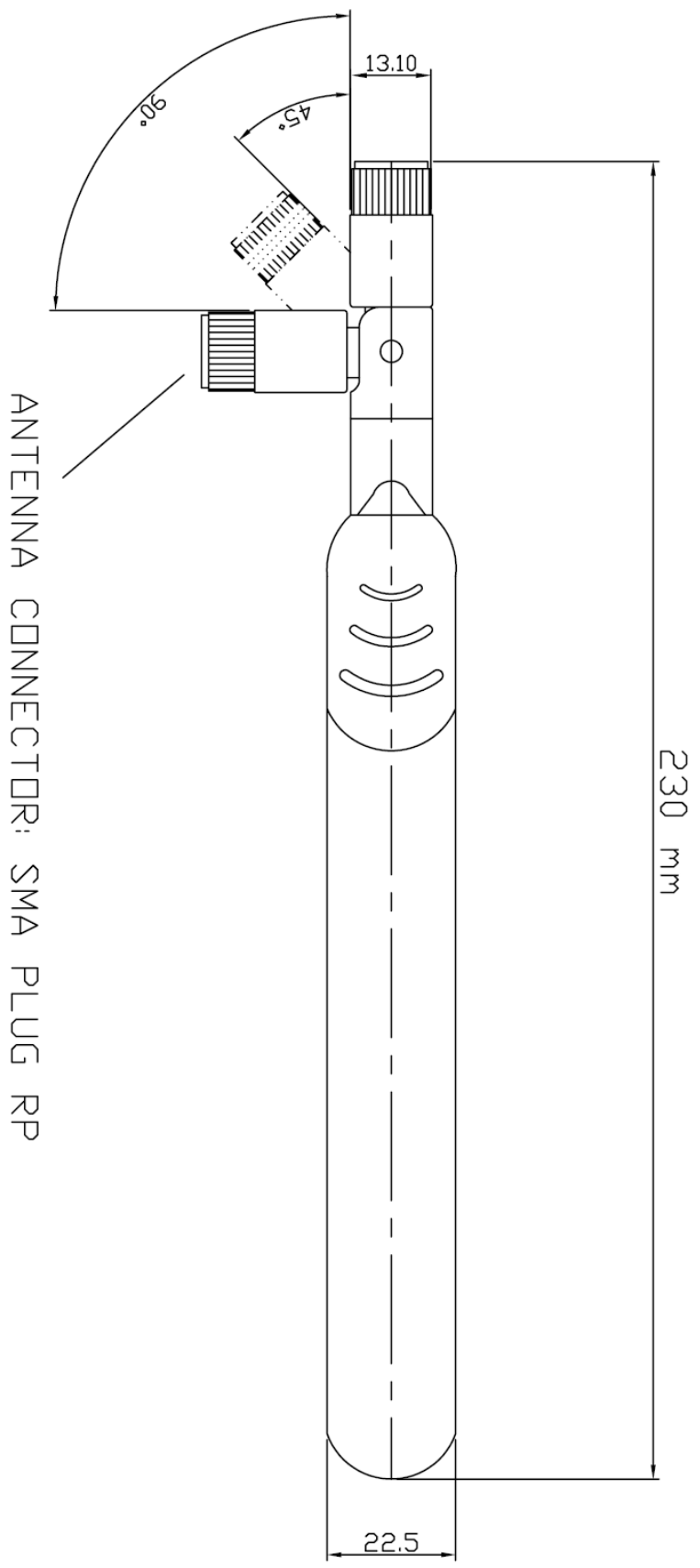
FLAT TYPE 2.4-2.5GHz 3dBi/5.0-6.0GHz 6dBi DIPOLE FOR SMA PLUG RP  
(Antenna Plane to the left and right)



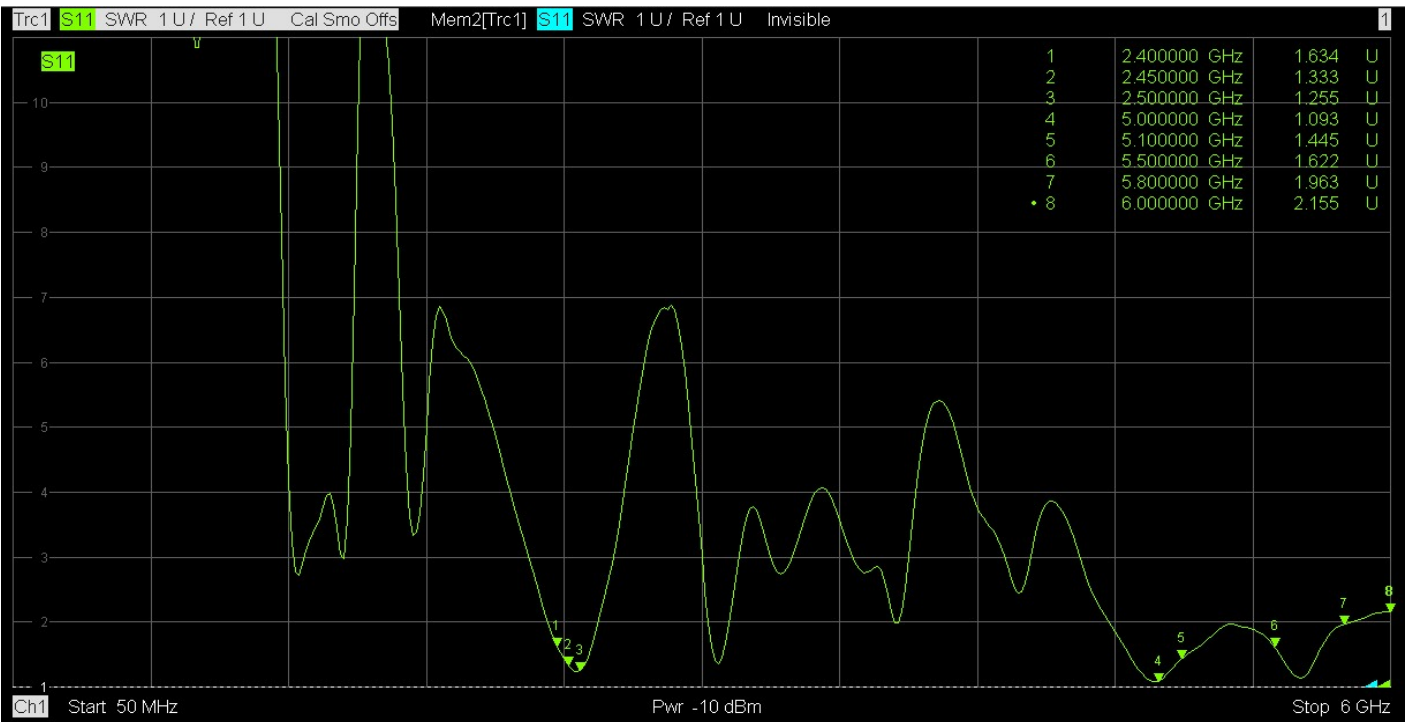
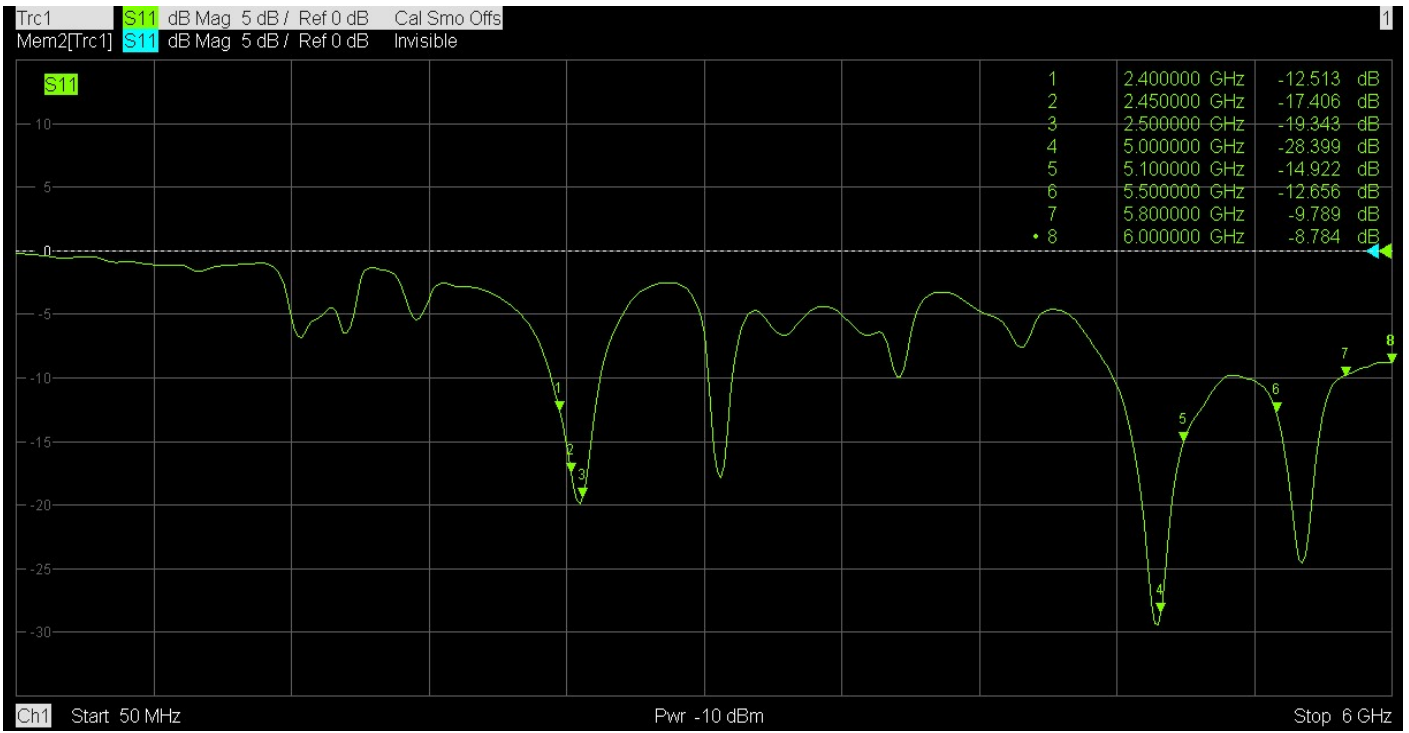
Specifications/Special Features :

This antenna is designed for wifi wireless communications

Specification	
Model No.	DA-2458-10
Antenna Connector	SMA PLUG RP (Option)
Frequency	2400-2500/5000-6000 MHz
Antenna Type	Dipole
Antenna Form	Flat Type
Gain ( dBi )	2.4-2.5GHz 3dBi/5.0-6.0GHz 6dBi
Polarization	Linear Vertical
VSWR	$\leq 2.2 : 1$
Max Power	50W
Weight	40g
Size	L230×W22.5×H13.1mm



1	FREQUENCY : 2400-2500 / 5000-6000 MHz	6	IMPEDANCE : 50 Ω
2	GAIN : 2.4-2.5GHz 3dBi/5.0-6.0GHz 6dBi	7	
3	V.S.W.R : ≤2.2:1	8	
4	ANTENNA LENGTH : L230xW22.5xH13.1 mm	9	
5	CONNECTOR : SMA PLUG RP	10	



**H-PLANE**

**E-PLANE**

