



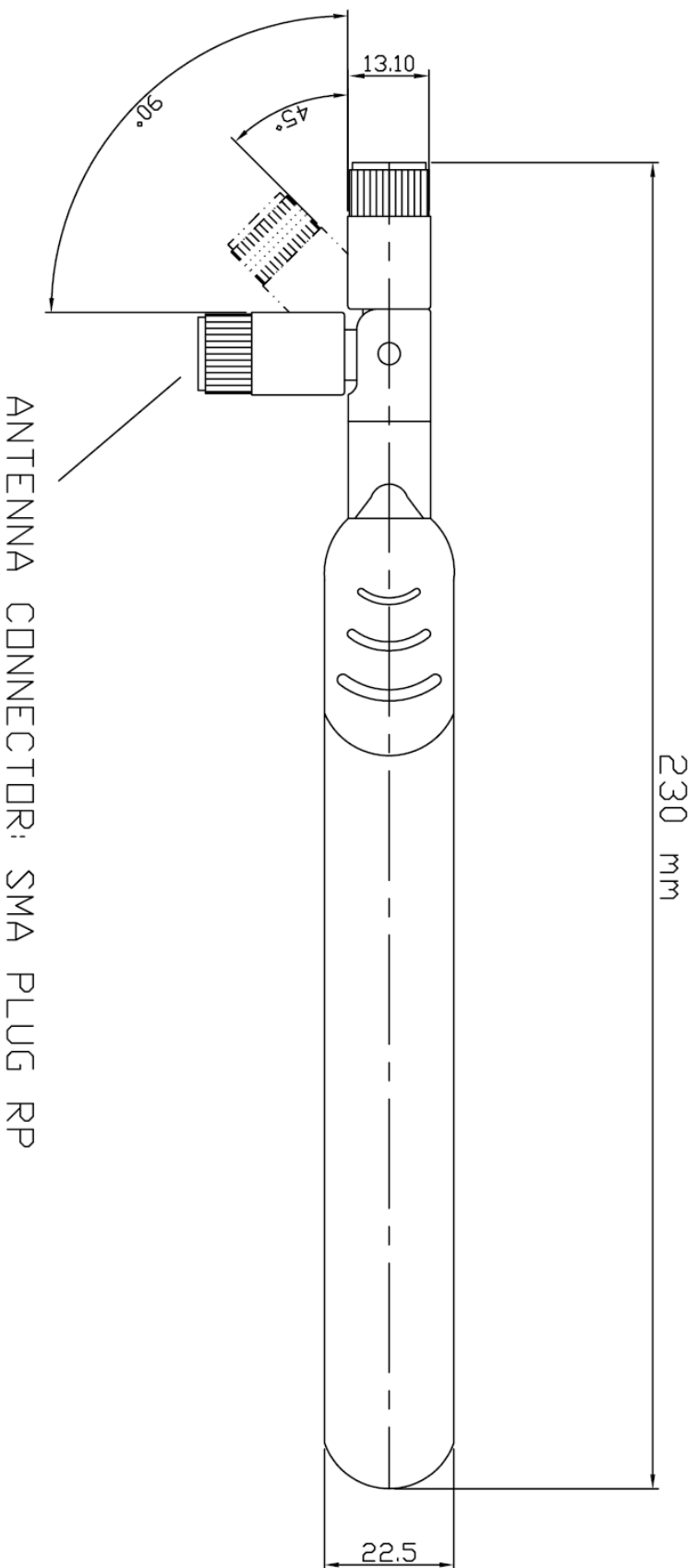
FLAT TYPE 5.1-5.8GHz DIPOLE 9 dBi ANTENNA FOR SMA PLUG RP (Antenna Plane to the left and right)



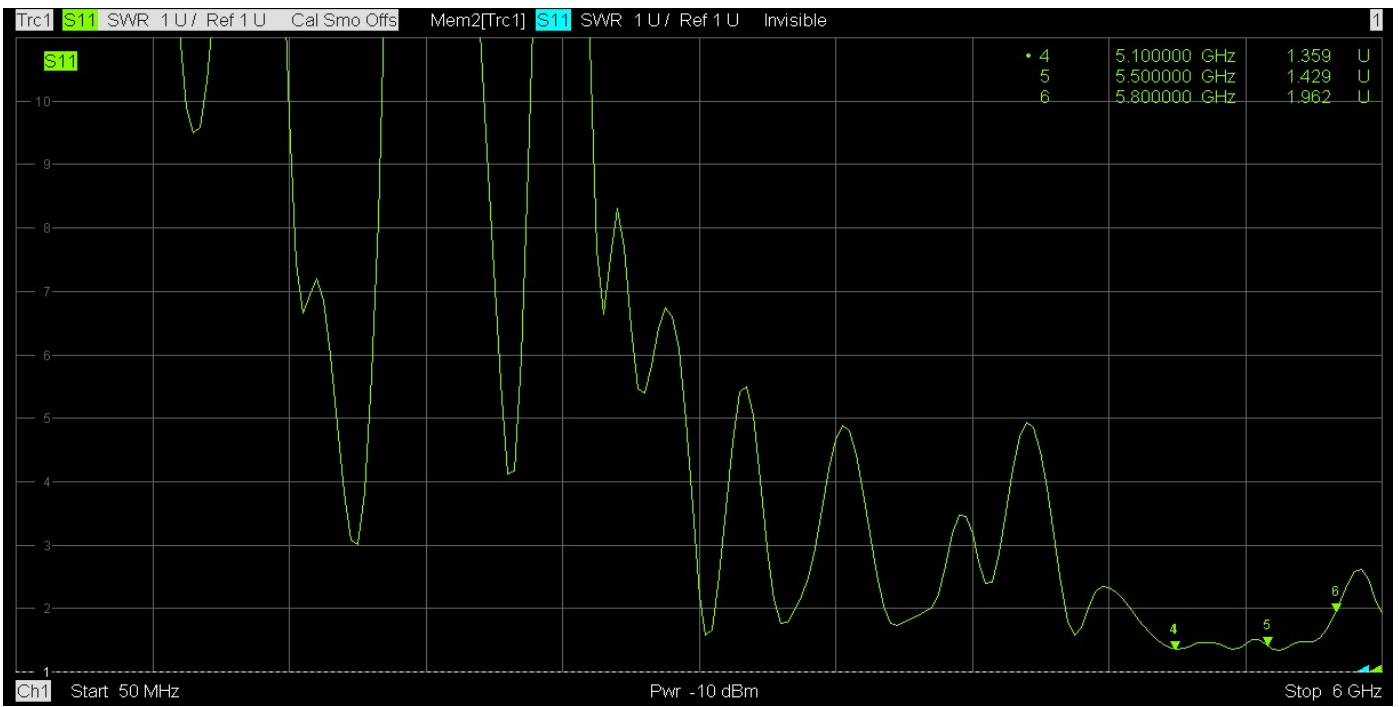
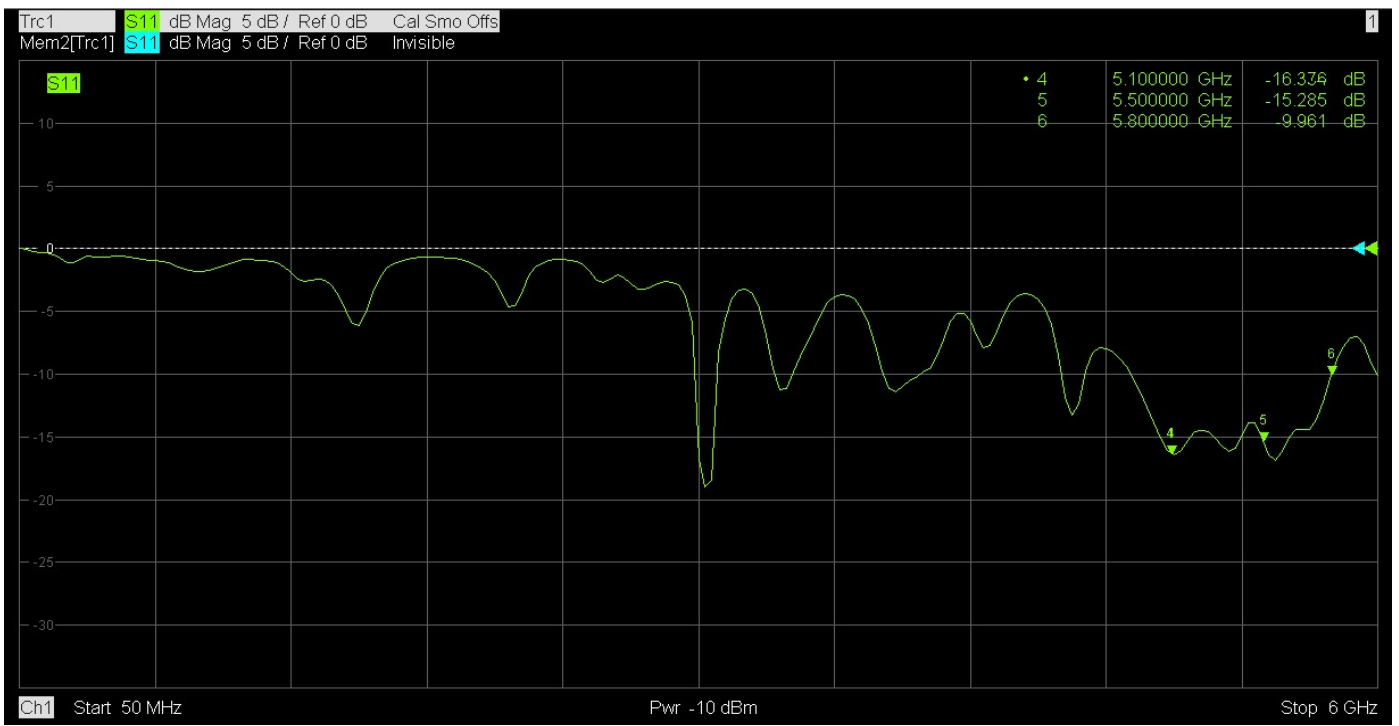
Specifications/Special Features :

This antenna is designed for wifi wireless communications

Specification	
Model No.	DA-5158-12
Antenna Connector	SMA PLUG RP (Option)
Frequency	5100-5800 MHz
Antenna Type	Dipole
Antenna Form	Flat Type
Gain (dBi)	9dBi
Polarization	Linear Vertical
VSWR	$\leq 2.0 : 1$
Max Power	50W
Weight	40g
Size	L230×W22.5×H13.1mm



1	FREQUENCY : 5100-5800 MHz	6	IMPEDANCE : 50 Ω
2	GAIN : 9dBi	7	
3	V.S.W.R : ≤2.0:1	8	
4	ANTENNA LENGTH : L230xW22.5xH13.1mm	9	
5	CONNECTOR : SMA PLUG RP	10	



H-PLANE

E-PLANE

