

Center Frequency 868MHz 1/4 wave 2 dBi FOR SMA PLUG

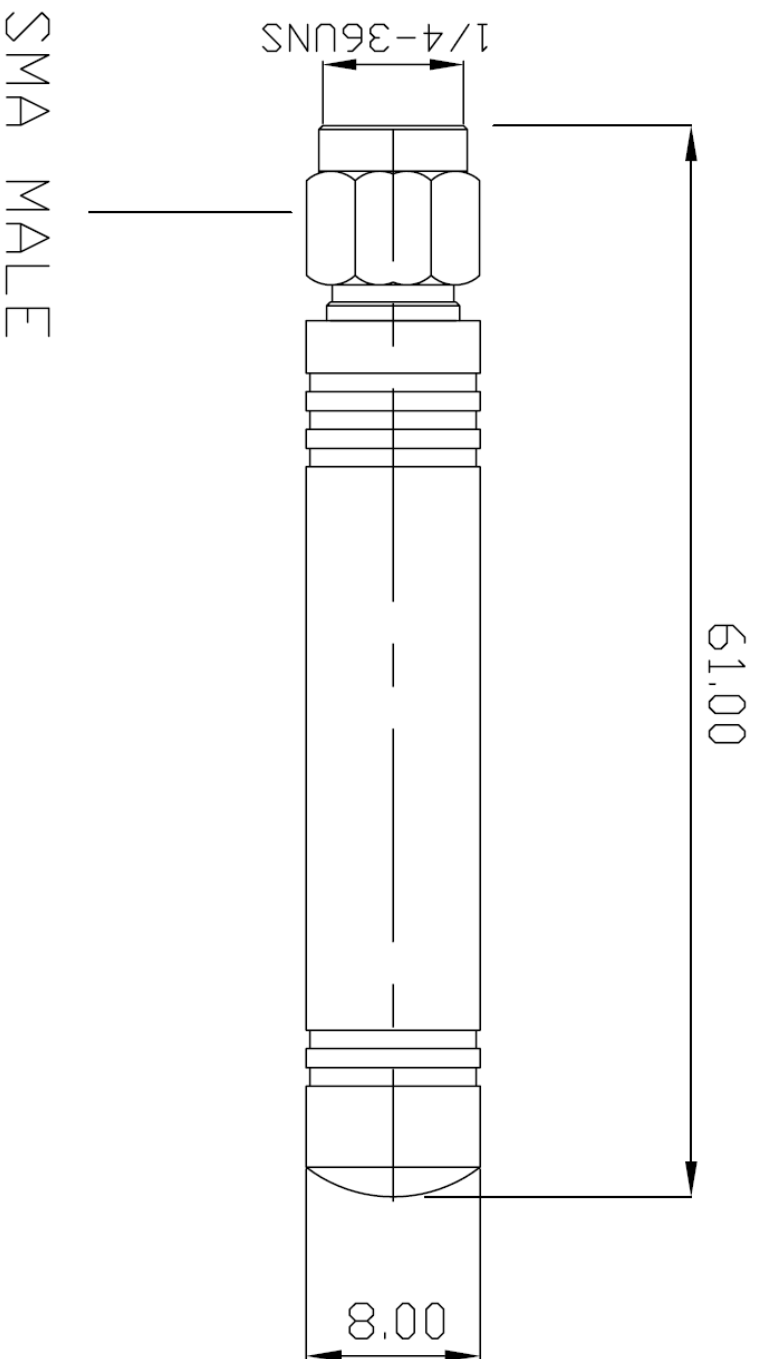


Specifications/Special Features :
Global System for Mobile Communication
868 MHz phone antenna,
Broadband design for GSM systems.

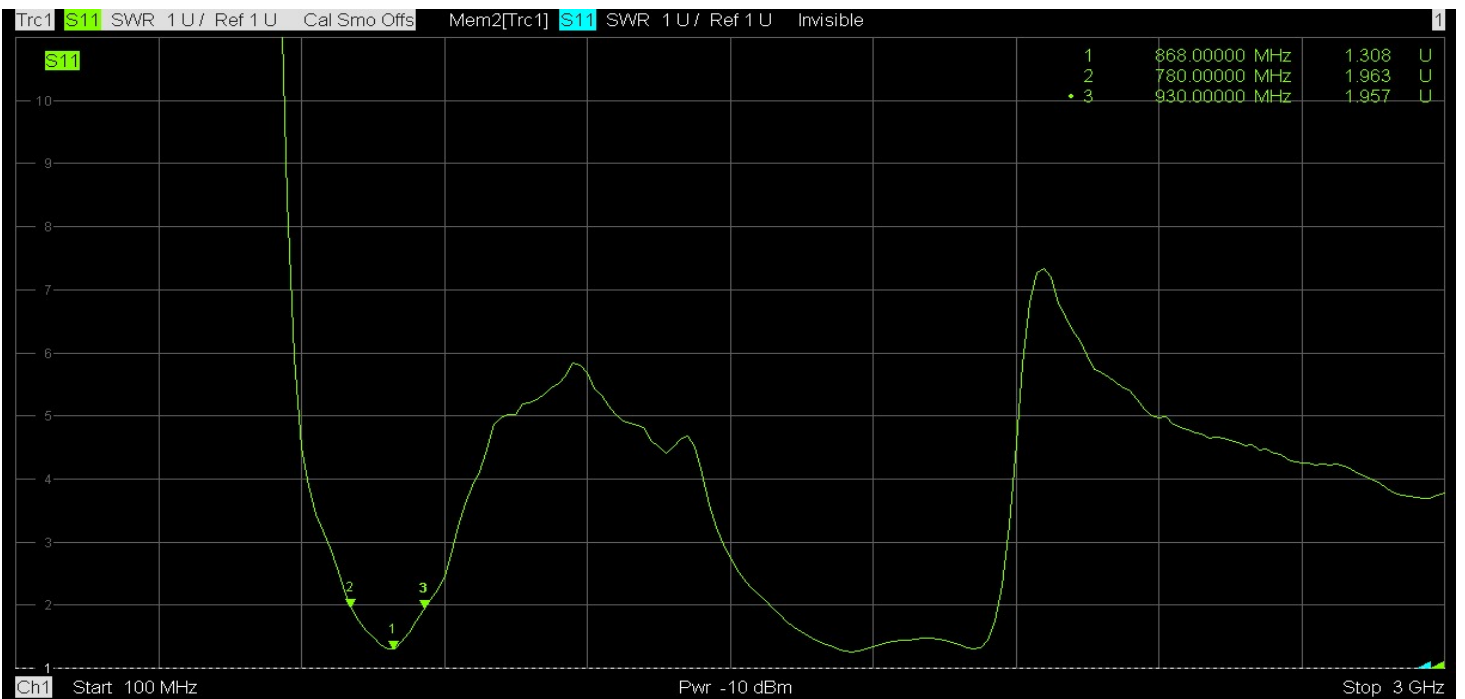
Specification	
Model No.	DA-868-02-SM
Frequency	Center Frequency 868MHz
Gain	2 dBi
V.S.W.R	Center Frequency 868MHz ≤ 1.5
Polarization	Vertical
Connector	SMA Male
Impedance	50 Ω
Operation temperature	-20°C ~+60°C
Storage temperature	-30°C ~+75°C
Dimensions	L61 x W8 x H8 mm

DA-868-02-SM

Center Frequency 868MHz 1/4 wave 2dBi FOR SMA MALE



1	FREQUENCY :	Center Frequency 868 MHz	6	IMPEDANCE :	50 Ω
2	GAIN :	2dBi	7		
3	V.S.W.R :	Center Frequency 868 MHz ≤ 1.5	8		
4	LENGTH :	61 mm	9		
5	CONNECTOR :	SMA MALE	10		



H-PLANE

E-PLANE

