



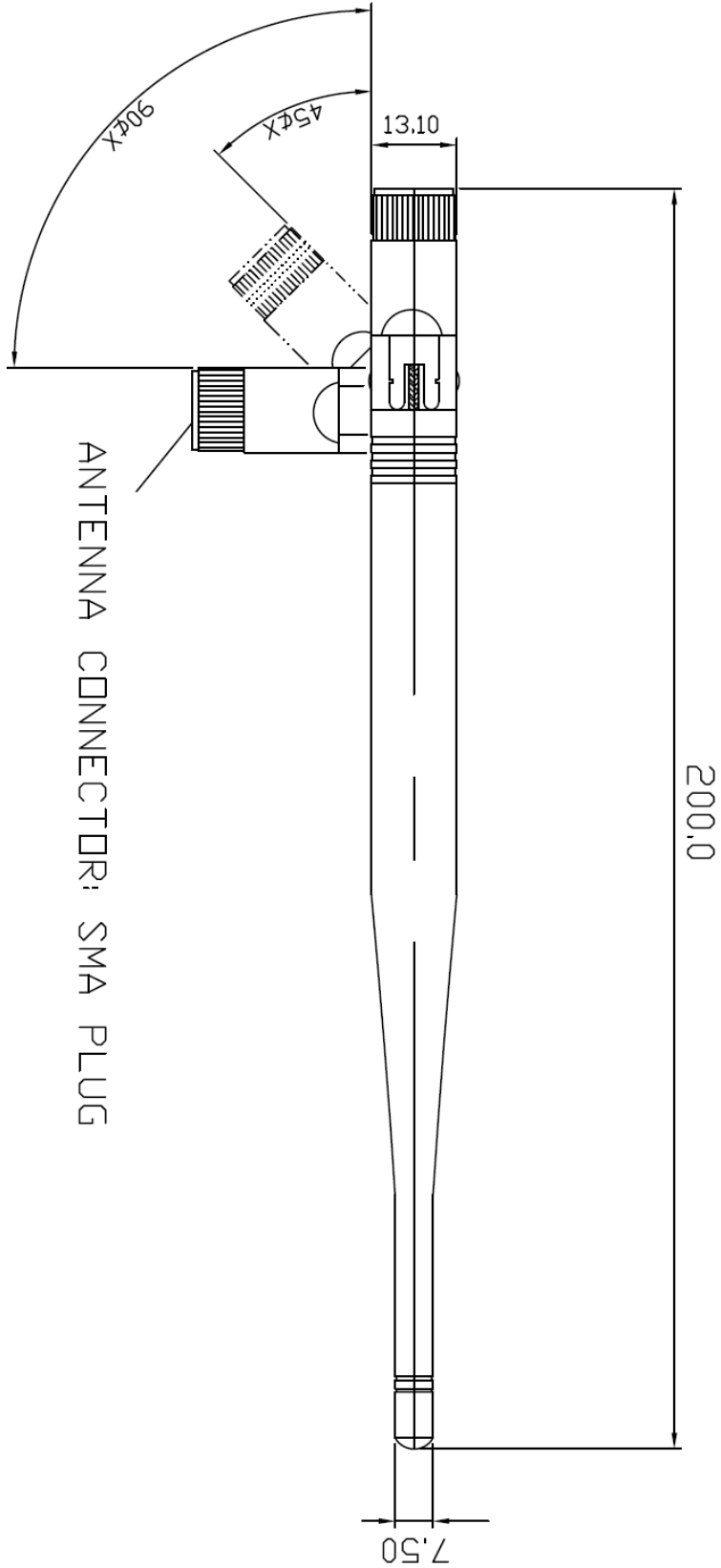
長 宏 科 技 有 限 公 司
Chang Hong Information Co., Ltd.

810-910 MHz (Center Frequency 868MHz) DIPOLE 2dBi FOR SMA PLUG

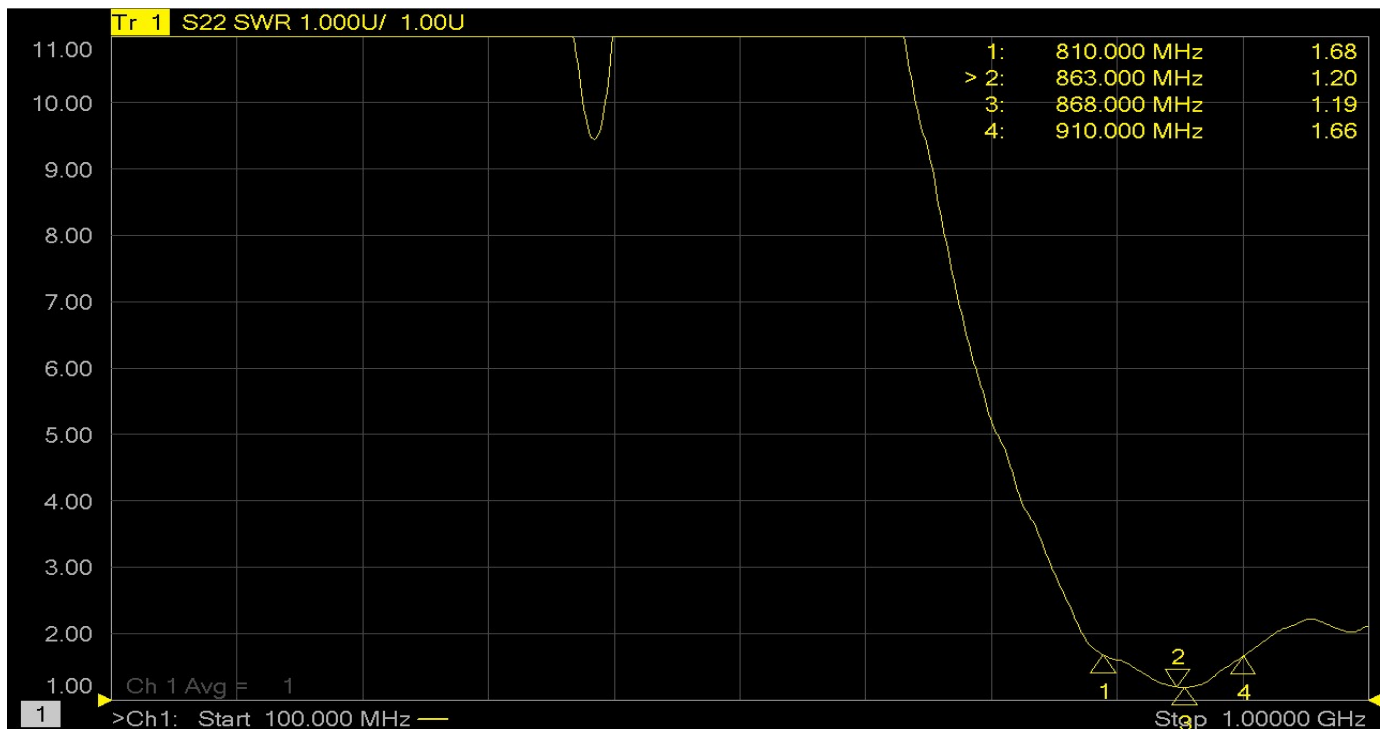
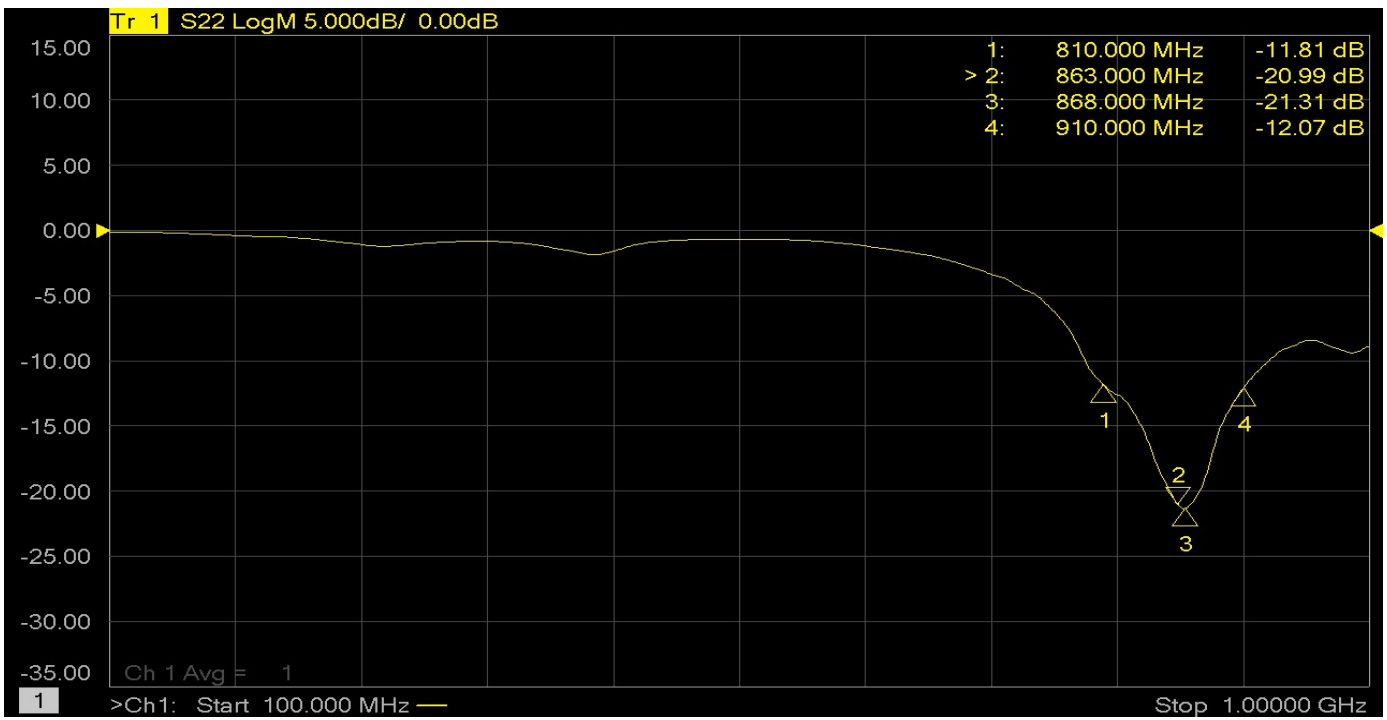


Specifications/Special Features :
Global System for Mobile Communication
810-910MHz phone antenna.

Specification	
Model No.	DA-868-04-SM
Frequency	810-910 MHz
Gain (dBi)	2 dBi
Type	Dipole
Polarization	Linear Vertical
SWR	≤ 2.0
Max Power	50W
Impedance	50 Ω
ANTENNA CONNECTOR	SMA PLUG
Weight	30g
Size	L200xW13.7xH13.7mm



1	FREQUENCY : 810-910MHz	6	IMPEDANCE : 50 Ω
2	GAIN : 2dBi	7	
3	V.S.W.R : ≤ 2.5 (Center Frequency 868MHz <math><1.5</math>)	8	
4	ANTENNA LENGTH : L200xW13.1xH13.1 mm	9	
5	CONNECTOR : SMA PLUG	10	



H-PLANE

E-PLANE

