



長 宏 科 技 有 限 公 司
Chang Hong Information Co., Ltd.

2.4-2.5GHz T TYPE 3dBi PATCH ANTENNA+RG174(3M)+SMA PLUG RP

ROHS



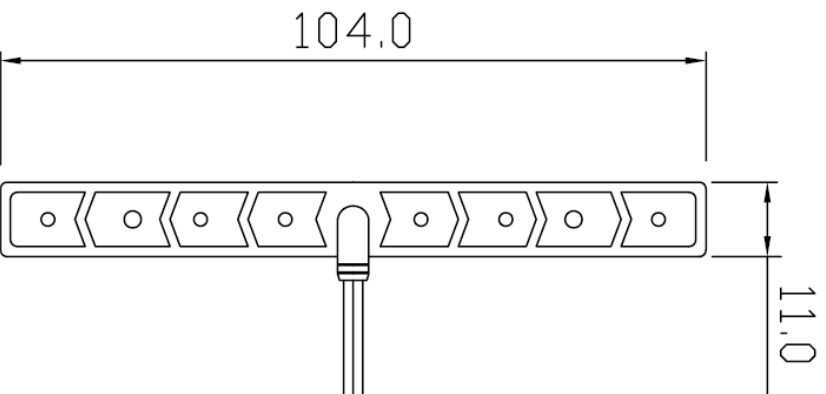
Specifications/Special Features :

This antenna is designed for wifi wireless Communications

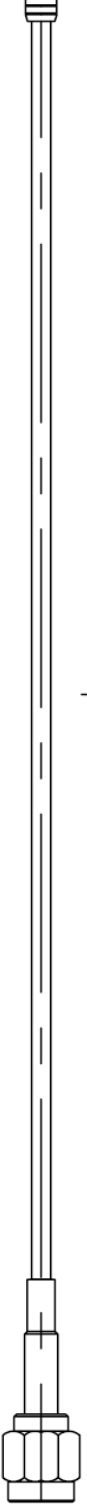
Specification	
Model No.	PTA-24-03
Antenna Type	Rectangle Patch antenna
Mounting	Double - side tape
Operating Frequency	2400-2500 MHz
Gain	3 dBi
VSWR	≤ 1.6
Power	10 Watts
Impedance	50 ohms
Polarization	Vertical
Dimensions	L104xW11xH3.5 mm
Antenna Cable	RG174 Length=3M (Option)
Antenna Connector	SMA PLUG RP (Option)
Antenna color	black

PTA-24-03

2.4-2.5GHz T TYPE PATCH 3dBi+RG174(3M)+SMA PLUG RP

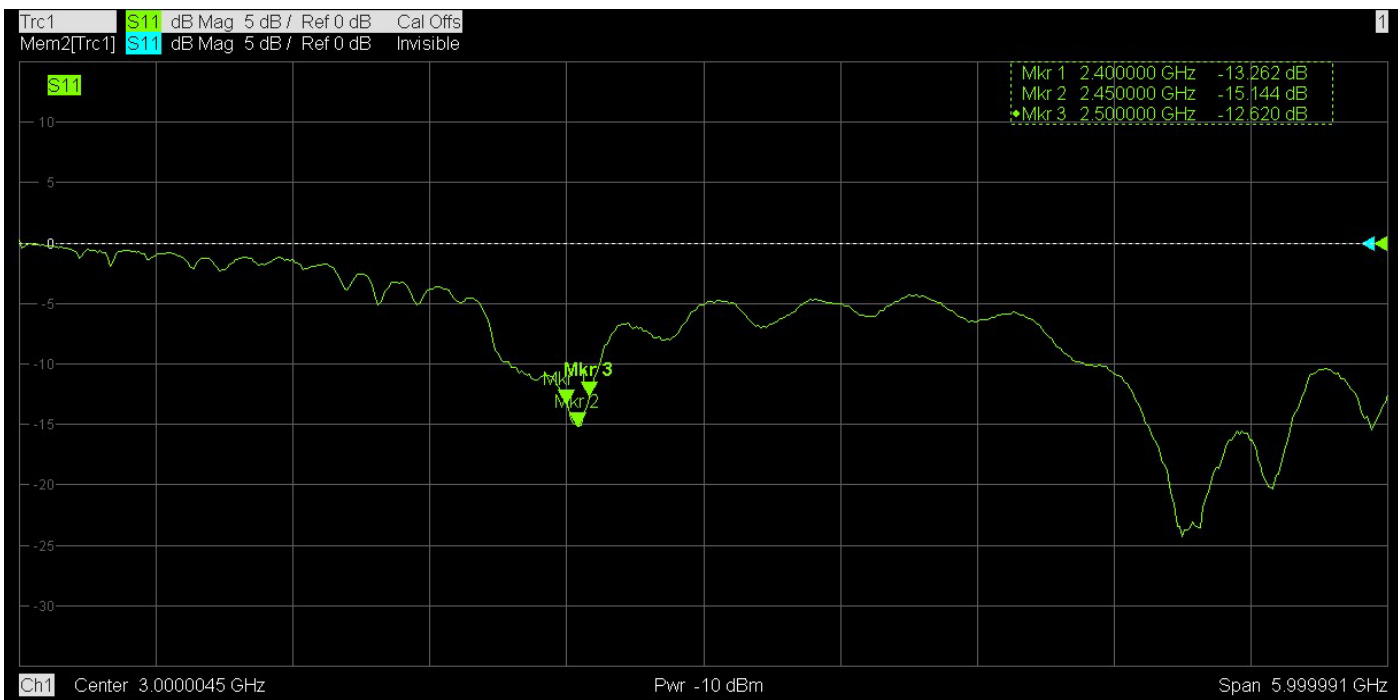


CABLE:RG174 Length=3M (Option)

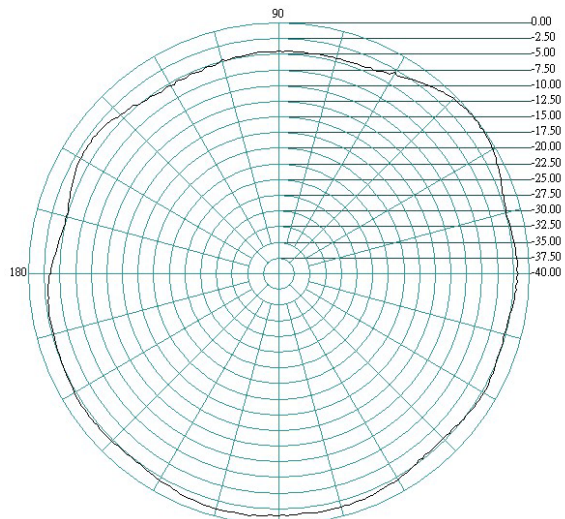


SMA PLUG RP (Option)

1	FREQUENCY : 2400-2500 MHz	6	IMPEDANCE : 50Ω
2	GAIN : 3dBi	7	
3	V.S.W/R : <=1.6	8	
4	LENGTH : L104×W11×H3.5 mm	9	
5	CONNECTOR : SMA PLUG RP (Option)	10	



H-PLANE



E-PLANE

