

700-2700MHz 11dBi YAGI ANTENNA FOR N FEMALE



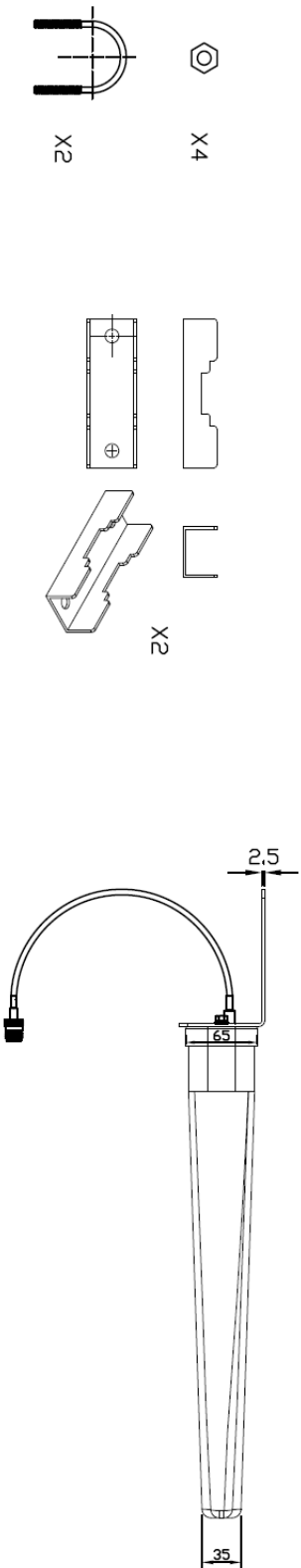
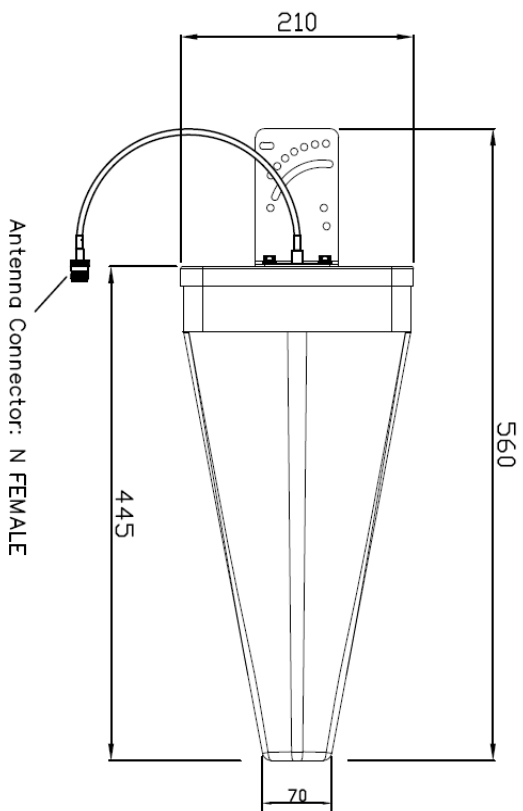
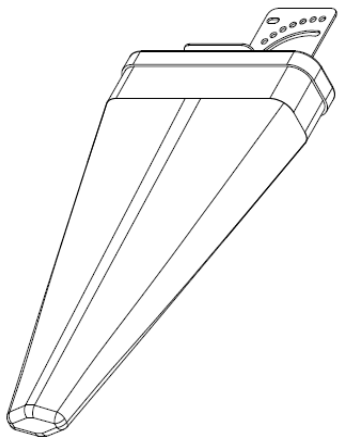
Specifications/Special Features :

This antenna is designed for wireless GSM
UMTS / WIFI / WCDMA/LTE communications

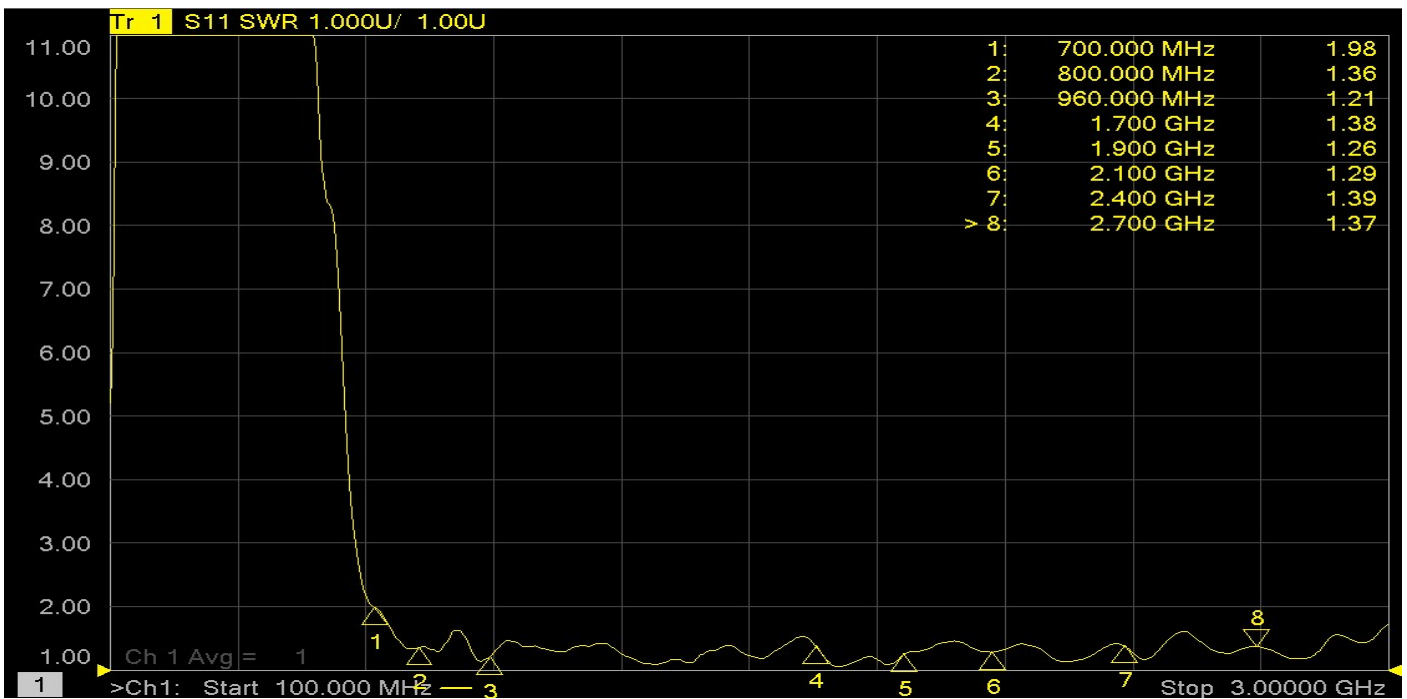
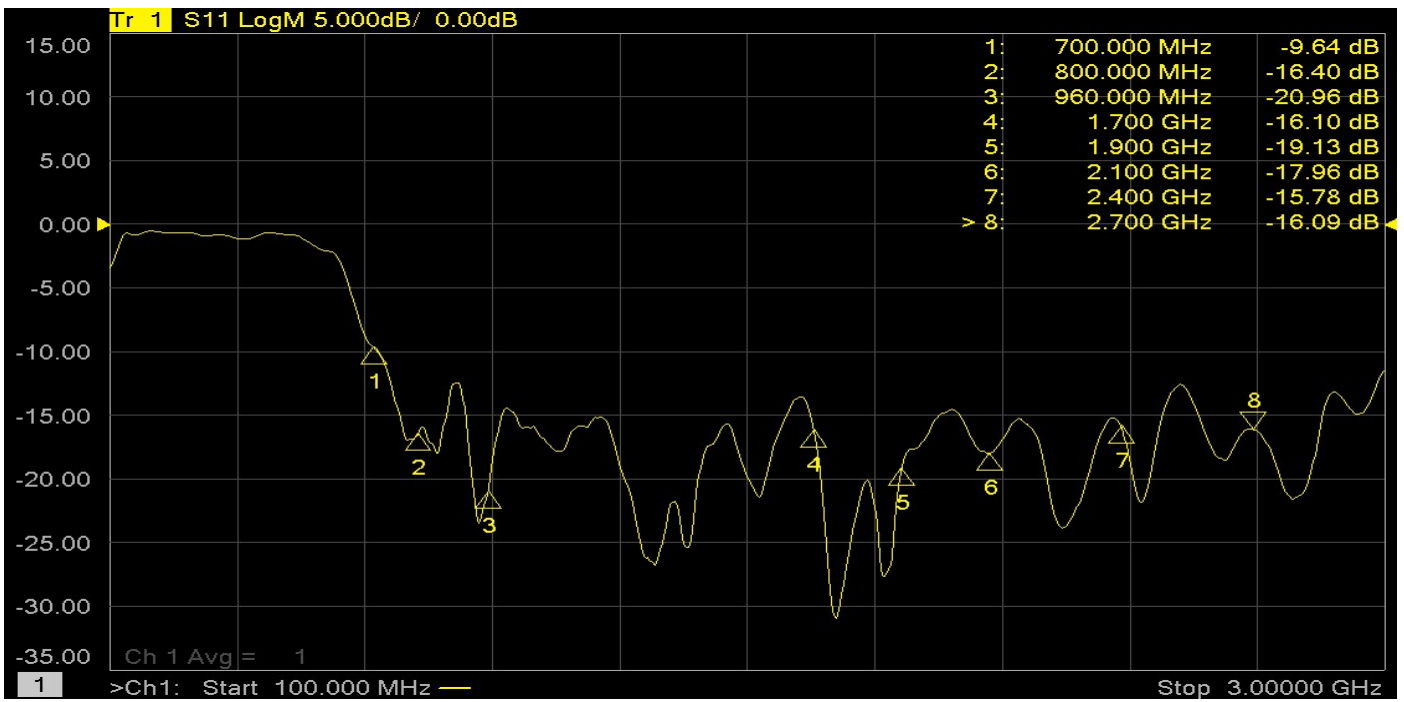
Specification	
Model No.	YA-0727-01
Antenna Type	YAGI
Frequency	700 - 2700 MHz
Gain (dBi)	11 dBi
VSWR	< 2.1
Beam width deg.	Horz.50-65° Vert.40-50°
Polarization	Vertical
Impedance	50Ω
Max. Power	50 W
Antenna Connector	N FEMALE
Lightning protection	DC grounded
Size	L445Xw210xH65 mm

YA-0727-01

700-2700MHZ YAGI 11DBI FOR N FEMALE



1	FREQUENCY RANGE : 700-2700 MHZ	8	Dimensions : L445XW210XH65mm
2	GAIN : 11 dBI	9	
3	VSWR : < 2.1	10	
4	IMPEDANCE : 50 Ω	11	
5	POLARIZATION : LINEAR VERTICAL	12	
6	Antenna Connector : N FEMALE	13	
7	Maximum Power : 50W		



H-PLANE

E-PLANE

