



長 宏 科 技 有 限 公 司
Chang Hong Information Co., Ltd.

FLAT TYPE 2.4-2.5GHz DIPOLE 7 dBi ANTENNA FOR SMA PLUG RP(Antenna Plane to the left and right)



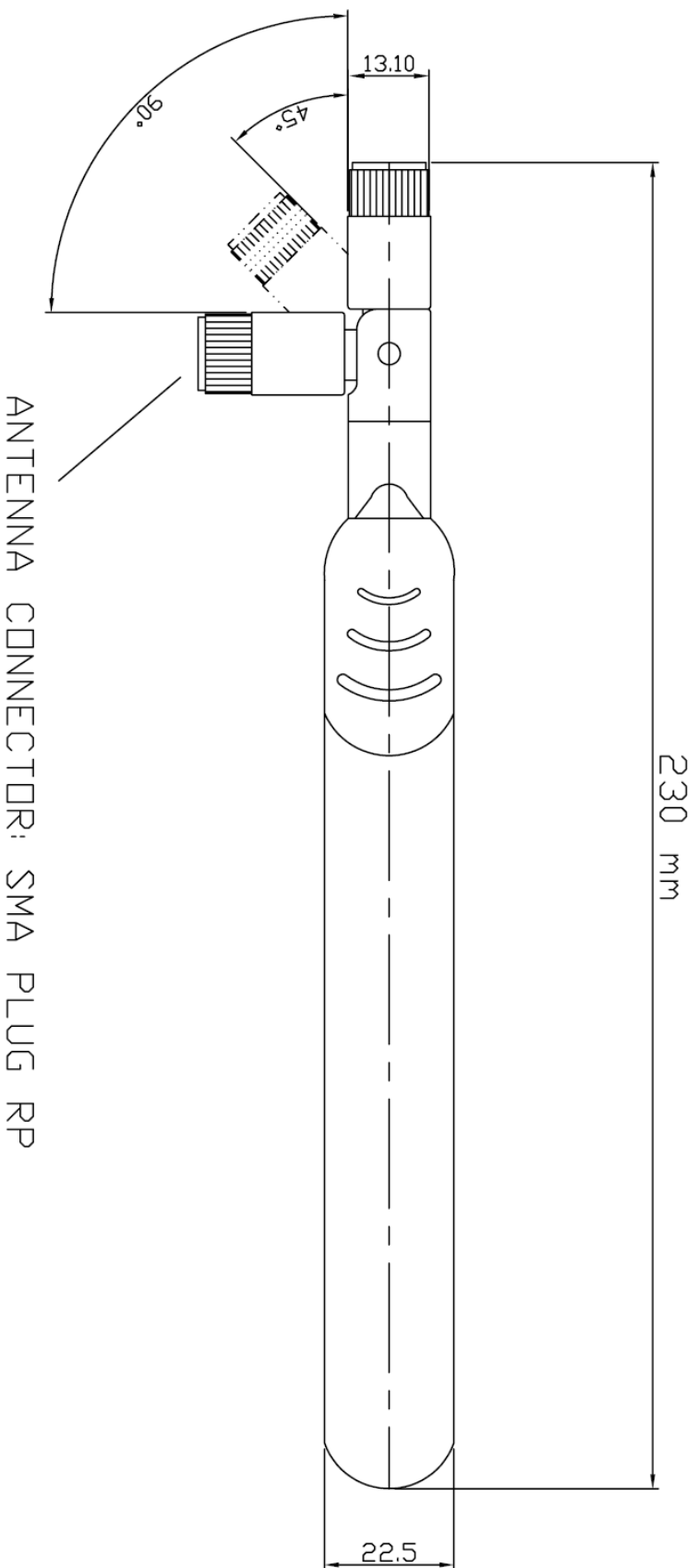
ROHS

Specifications/Special Features :
Global System for Mobile Communication
2400-2500MHz wifi antenna,
Broadband design for wifi systems.

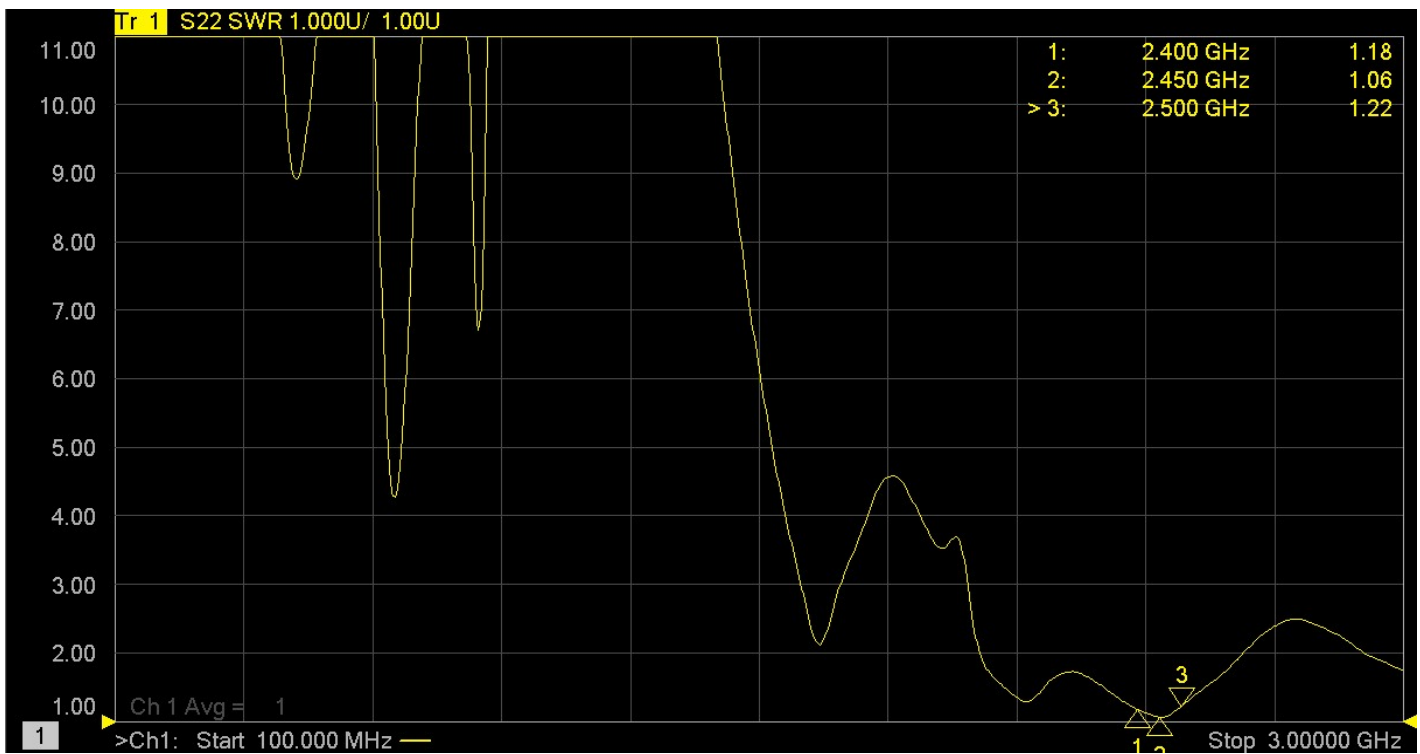
Specification	
Model No.	DA-24-25
Antenna Connector	SMA PLUG RP (Option)
Frequency	2400-2500 MHz
Antenna Type	Dipole
Antenna Form	Flat Type
Gain (dBi)	7 dBi
Polarization	Linear Vertical
VSWR	$\leq 1.5 : 1$
Max Power	50W
Weight	40g
Size	L230×W22.5×H13.1mm

DA-24-25-SMR

FLAT TYPE 2.4-2.5GHz DIPOLE 7 dBi ANTENNA FOR SMA PLUG RP(Antenna Plane to the left and right)



1	FREQUENCY : 2400-2500 MHz	6	IMPEDANCE : 50 Ω
2	GAIN : 7 dBi	7	
3	V.S.W.R : ≤1.5:1	8	
4	ANTENNA LENGTH : L230xW22.5XH13.1 mm	9	
5	CONNECTOR : SMA PLUG RP	10	



H-PLANE

E-PLANE

