

412-440 MHz 1/4wave 2 dBi FOR SMA MALE



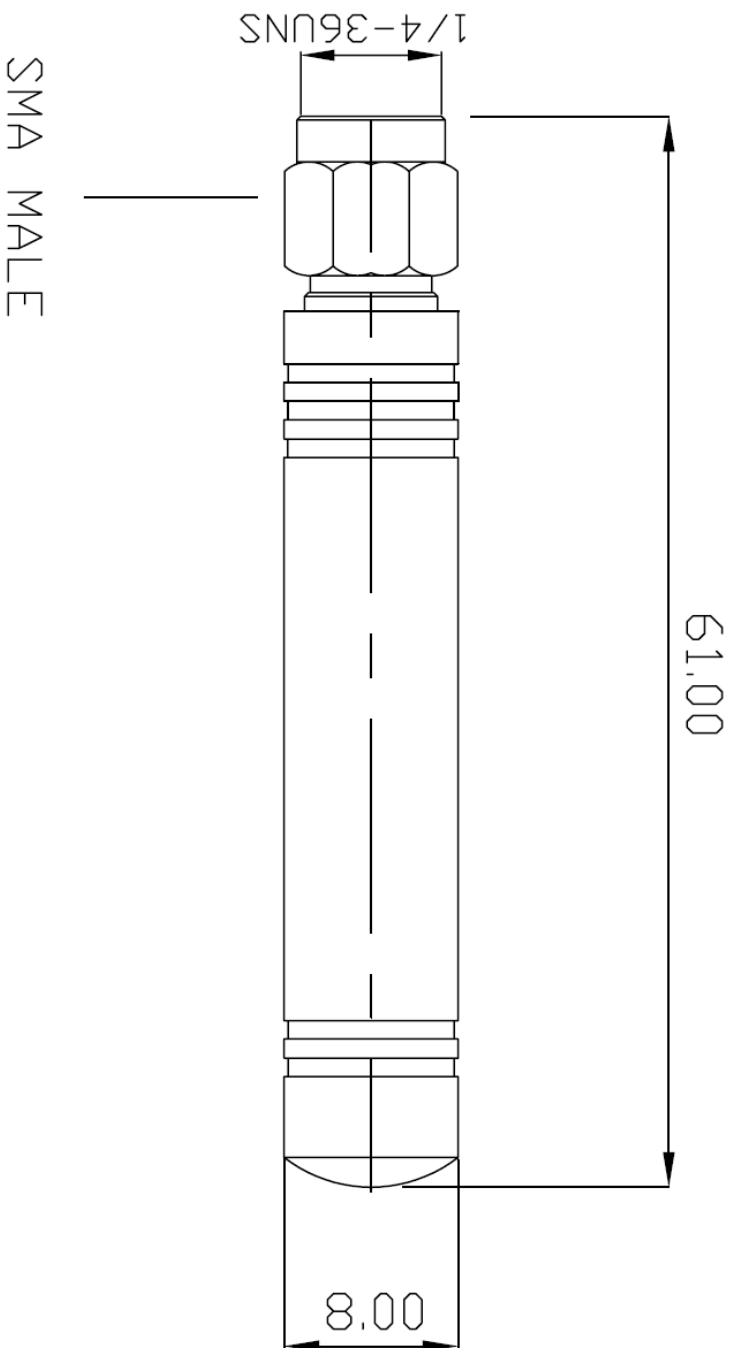
Specifications/Special Features :

This antenna is designed for 412-440MHz wireless Communications

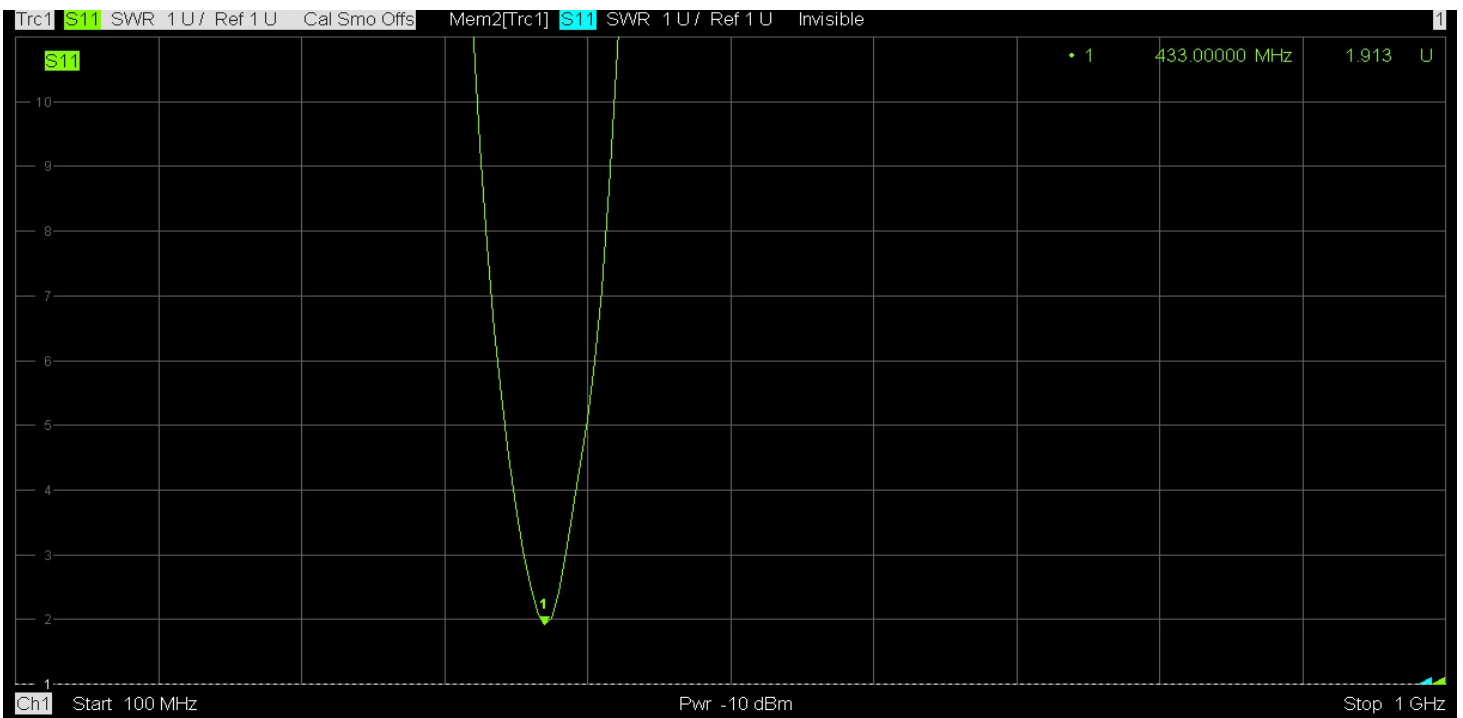
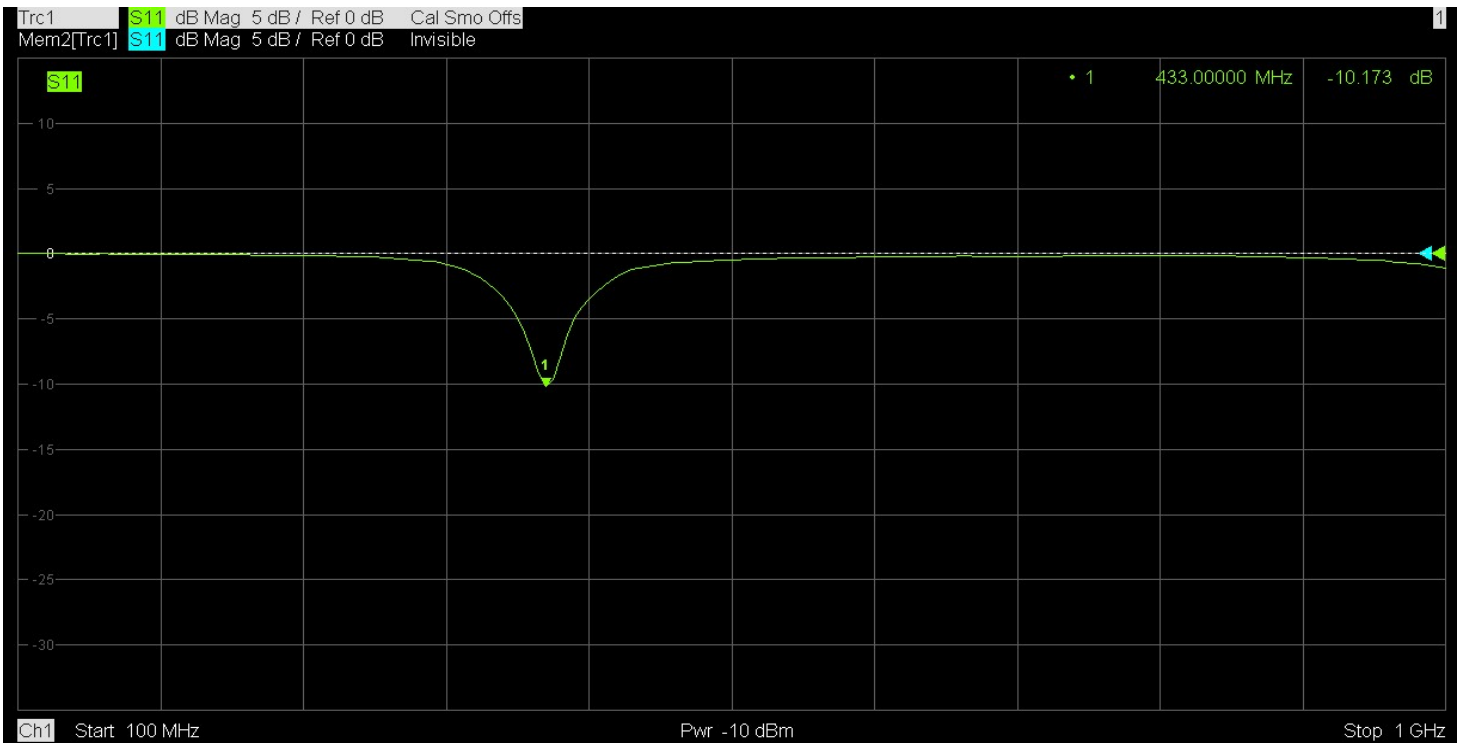
Specification	
Model No.	DA-433-03-SM
Frequency	412-440 MHz
Gain	2 dBi
V.S.W.R	$\leq 2:1$
Polarization	Vertical
Connector	SMA MALE
Impedance	50 Ω
Operation temperature	-20°C ~+60°C
Storage temperature	-30°C ~+75°C
Dimensions	L61 x W8 x H8 mm

DA-433-03-SM

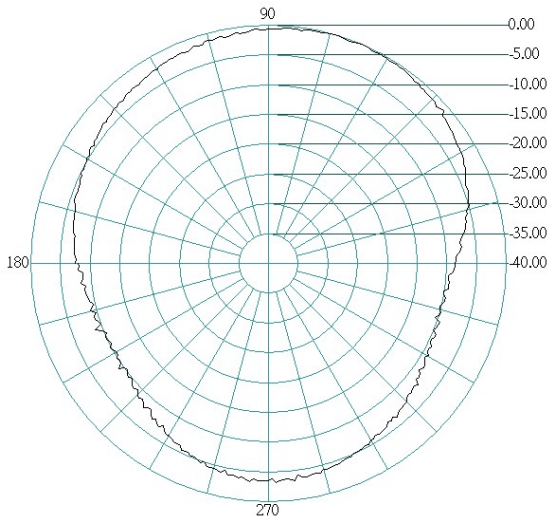
412-440 MHz 1/4wave 2 DBi FOR SMA MALE



1	FREQUENCY : 412-440 MHz	6	IMPEDANCE : 50 Ω
2	GAIN : 2DBi	7	
3	V.S.W.R : <=2:1	8	
4	LENGTH : 61 mm	9	
5	CONNECTOR : SMA MALE	10	



H-PLANE



E-PLANE

