

LTE/LTE(700-960MHz/1700-2700MHz 1-4 dBi) 2 IN 1 80mm Circle ROOF SCREW
MOUNT+RG174(2.5M)x2+SMA PLUG(LTE)+SMA PLUG(LTE)



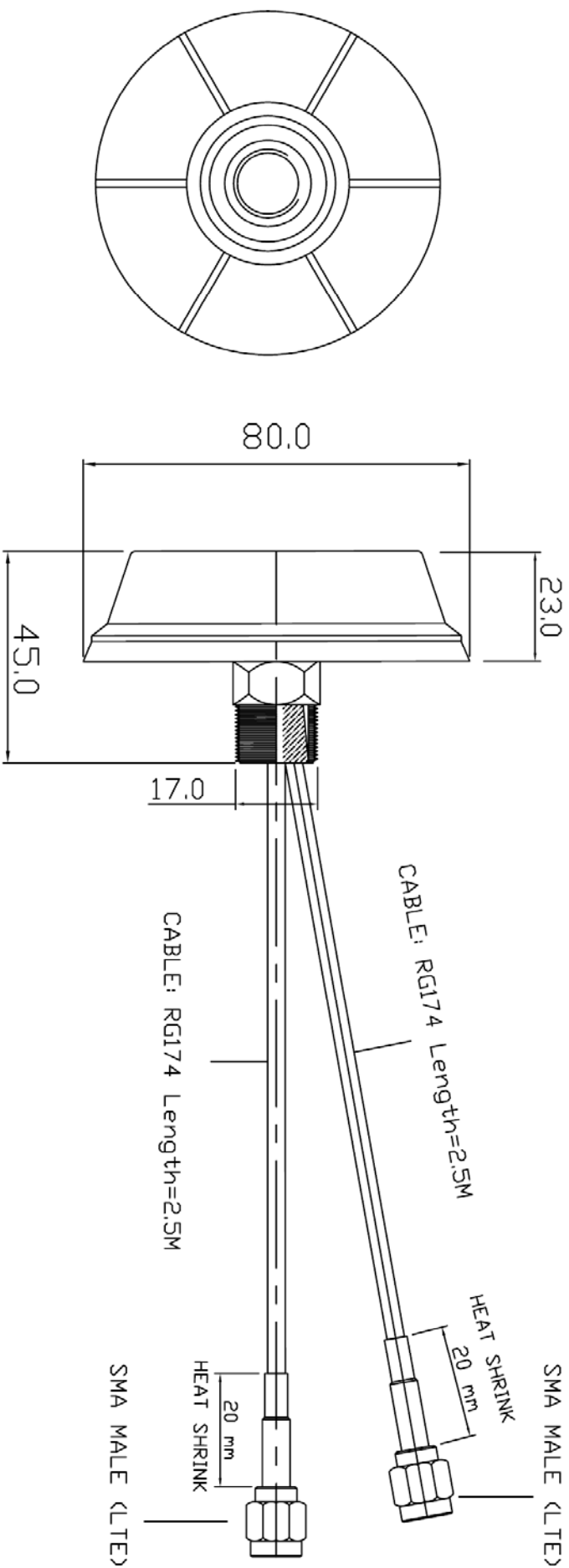
Specifications/Special Features :

This antenna is designed for
LTE/GSM/UMTS/WCDMA wireless
communications

Specification	
Model No.	GPM-14
Antenna Type	Roof Screw Mount
Antenna Size	L80xW80xH45 mm
Gain (d Bi)	1-4 dBi
Frequency	700-960MHz/1700-2700 MHz x2
VSWR	< 1.8
Polarization	Linear Vertical
Temperature	-40 to +85 °C
Humidity	40% to 95% RH
Connector (LTE 1)	SMA PLUG (Option)
Connector (LTE2)	SMA PLUG (Option)
Coaxial Cable	RG174 Length=2.5M (Option)

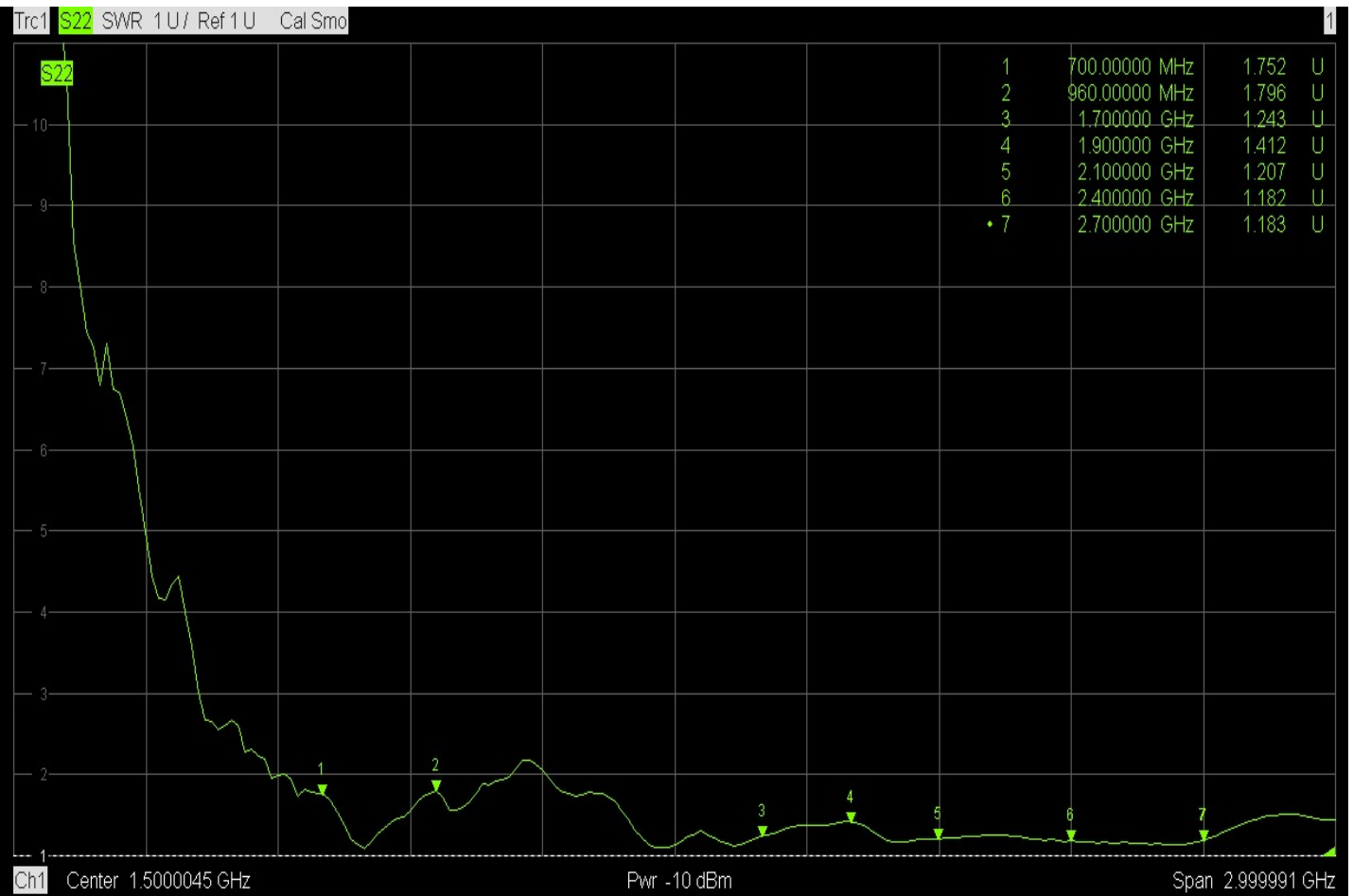
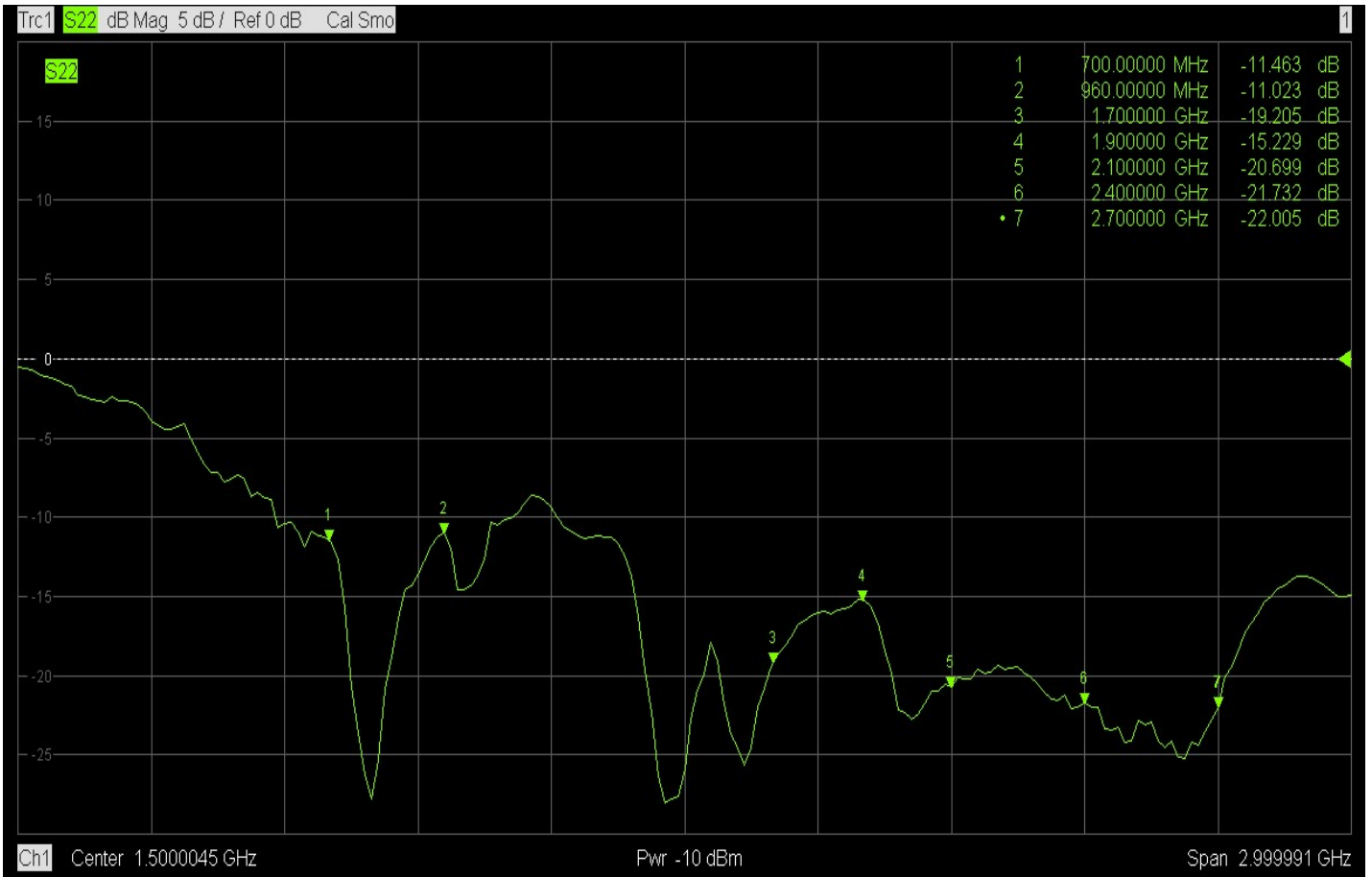
GPM-14-174-2.5M-0102-0102

LTE/LTE(700-960MHz/1700-2700MHz 1-4 dBi) 2 IN 1 80mm Circle Roof Screw+RG174(2.5M)x2+SMA MALE(LTE)+SMA MALE(LTE)

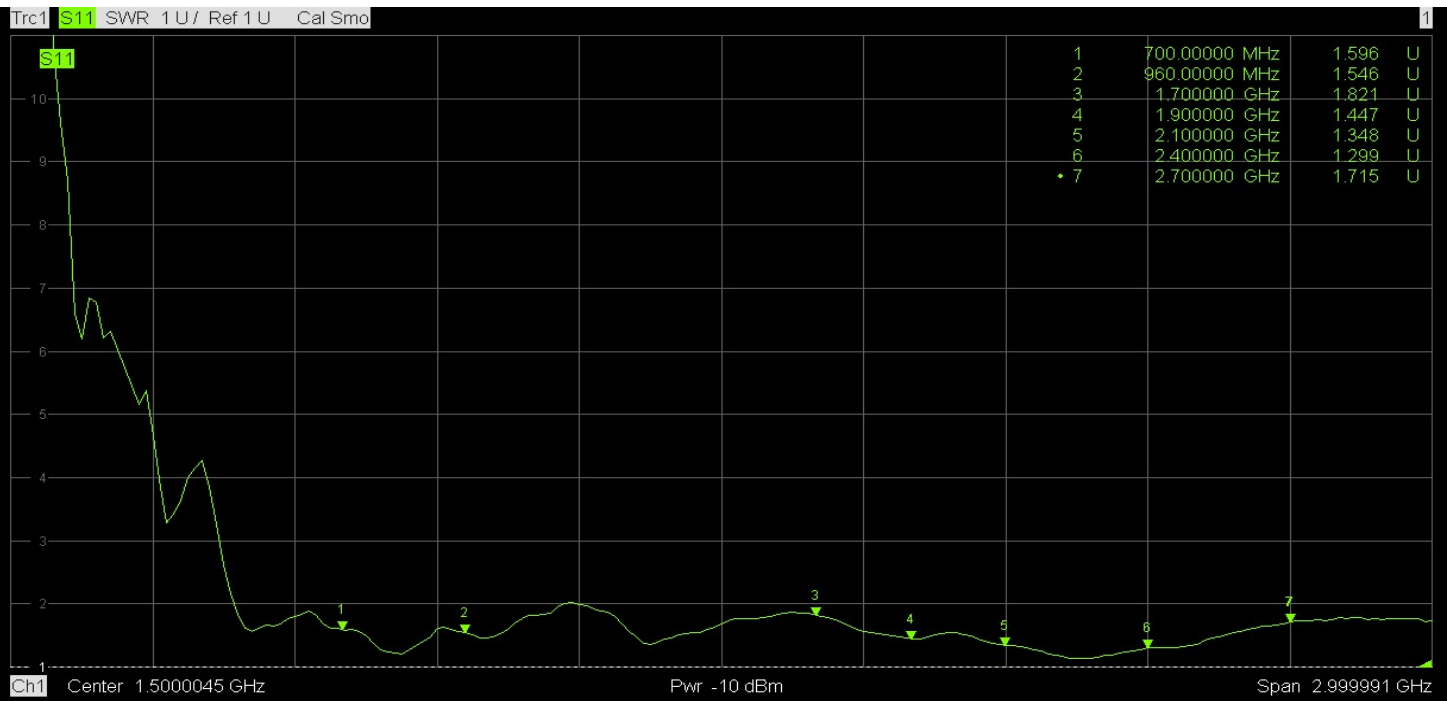
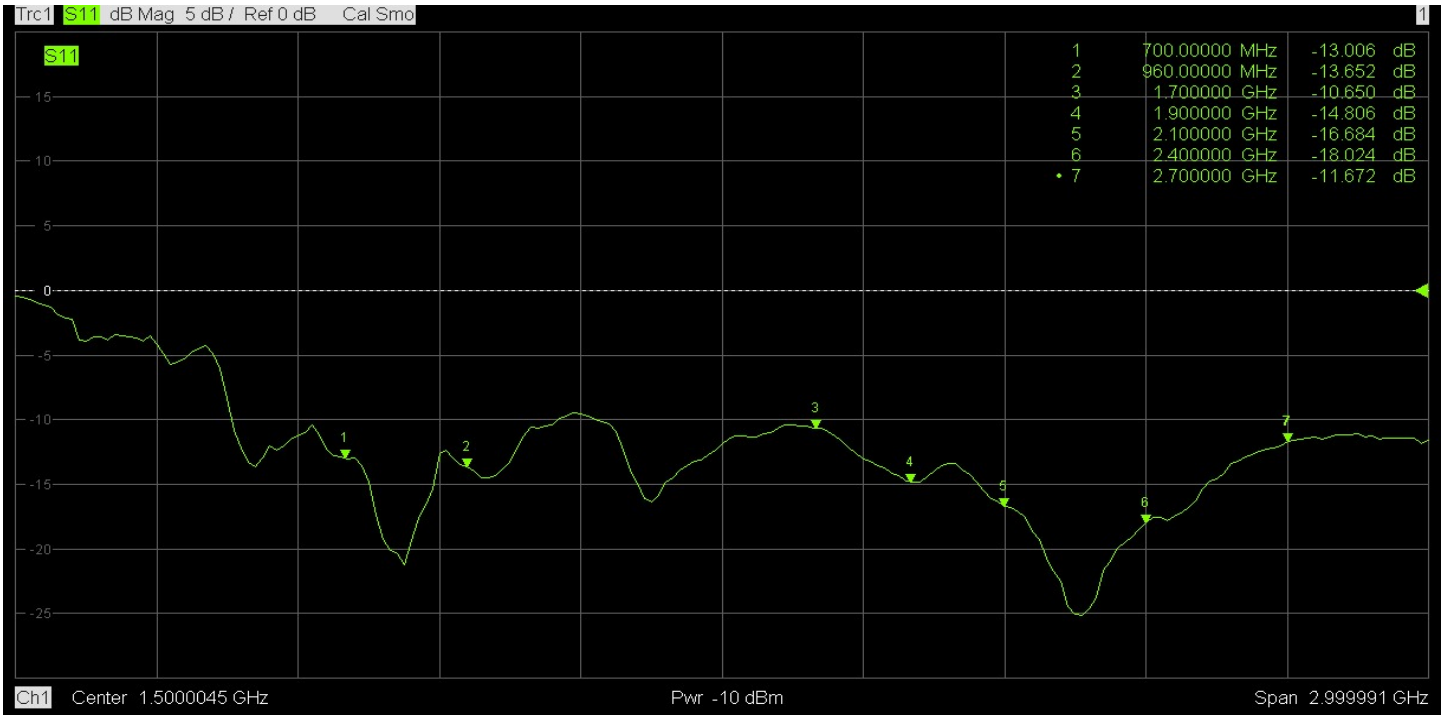


1	FREQUENCY : LTE/LTE(700-960MHz/1700-2700MHz)	6	IMPEDANCE : 50 Ω
2	GAIN : LTE 1-4dBi/LTE 1-4dBi	7	
3	V.S.W.R : <=2.0	8	
4	CABLE LENGTH : RG174 L=2.5Mx2	9	
5	CONNECTOR : SMA MALE(LTE) / SMA MALE(LTE)	10	

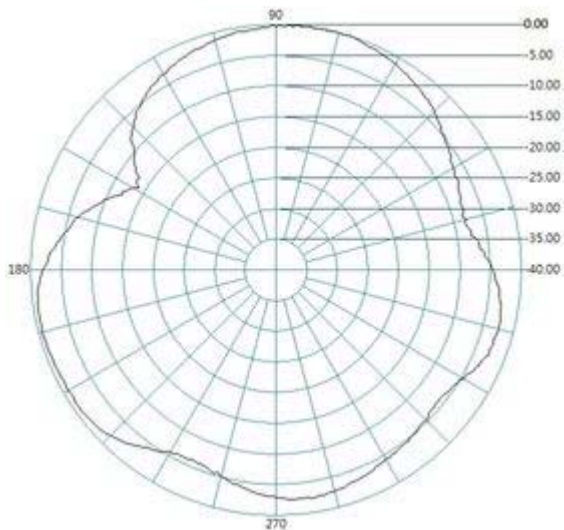
LTE 1 TEST



LTE 2 TEST



H-PLANE



E-PLANE

