

700-960MHz 5dBi/1700-2700MHz 9dBi MIMO ANTENNA x2+N FEMALE x2

ROHS

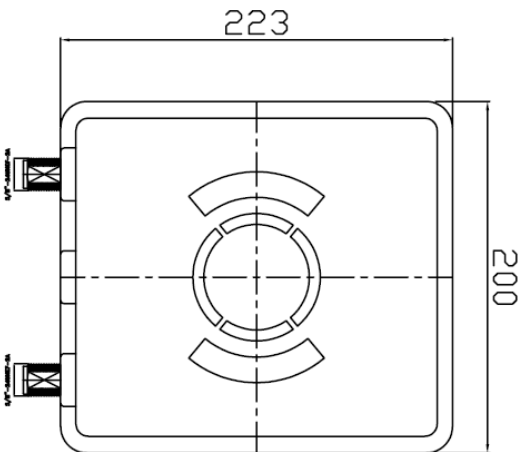


Specifications/Special Features :  
This antenna is designed for  
LTE/GSM/WCDMA/UMTS wireless  
communications

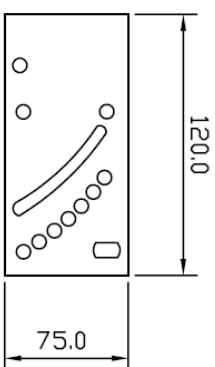
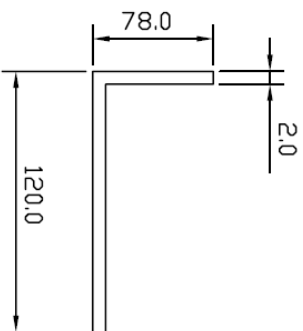
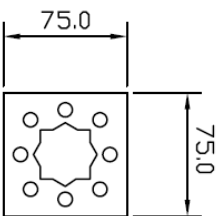
Specification	
Model No.	MIMO-PA-0727-01-1
Gain ( dBi )	700-960MHz 5dBi / 1700-2700MHz 9dBi
Antenna Type	PANEL
Polarization	Vertical
Beam width deg.	Horz.90° Vert.40°
V.S.W.R.	<=2.5
Frequency	700-960MHz /1700-2700MHz
Max Power	100W
Antenna Connector	N Female x2
Dimensions	L233×W200XH60 mm
Mounting Kit	U-bolts
Radome Material	ABS polymer (white)
Weight	1KG

MIMD-PA-0727-01-1

700-960MHz 5dBi/1700-2700MHz 9dBi PANEL MIMD ANTENNA X2+N FEMALE X2

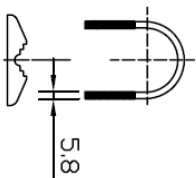
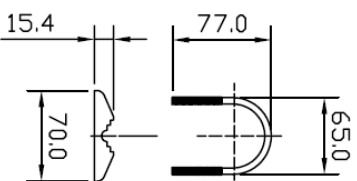


ANTENNA CONNECTOR : N FEMALE X2



⊙ X4  
WASHER

⊙ X4  
NUT



1 FREQUENCY RANGE : 700-960/1700-2700MHz

8 Dimensions : L223XW200XH60mm

2 GAIN : 700-960MHz 5dBi/1700-2700MHz 9dBi

9

3 VSWR : <=2.5 : 1

10

4 IMPEDANCE : 50 Ω

11

5 POLARIZATION : LINEAR VERTICAL

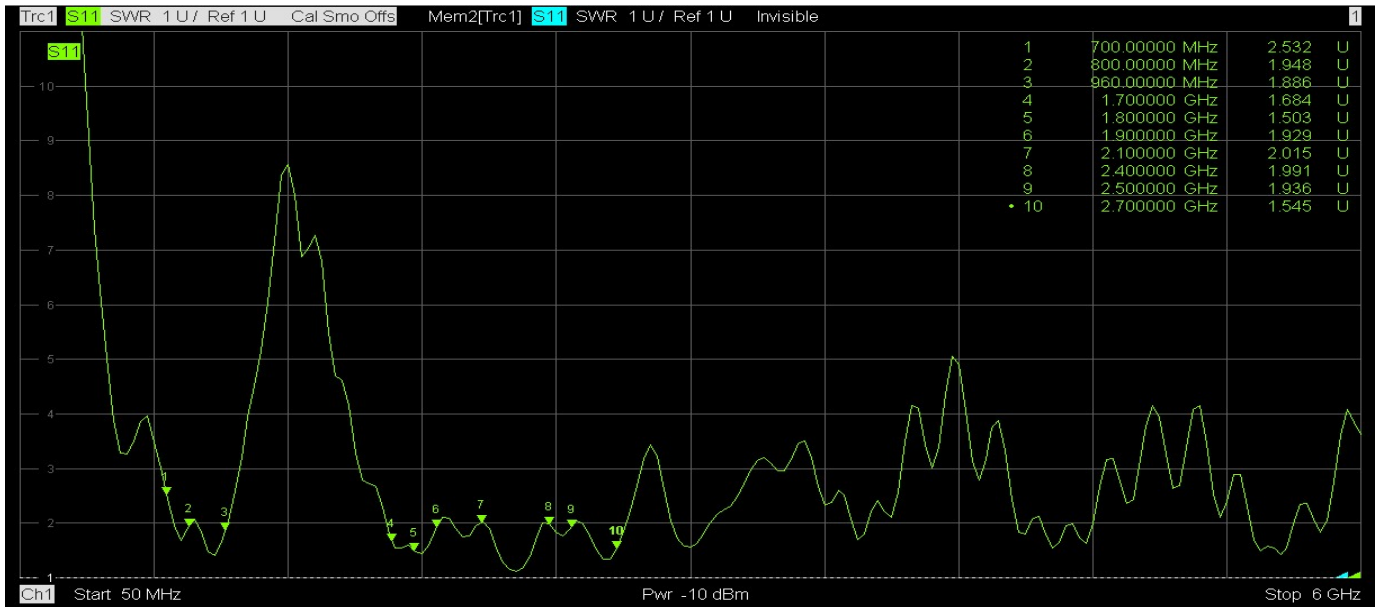
12

6 Antenna Connector : N FEMALE X2

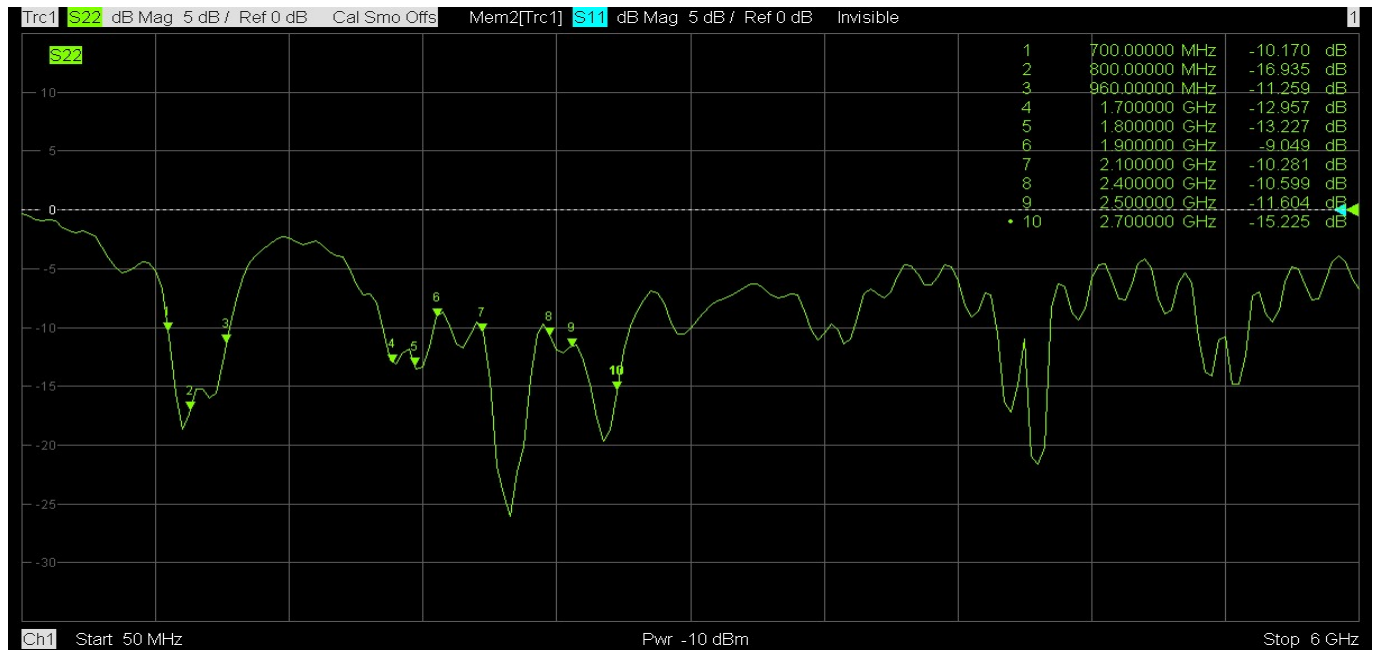
13

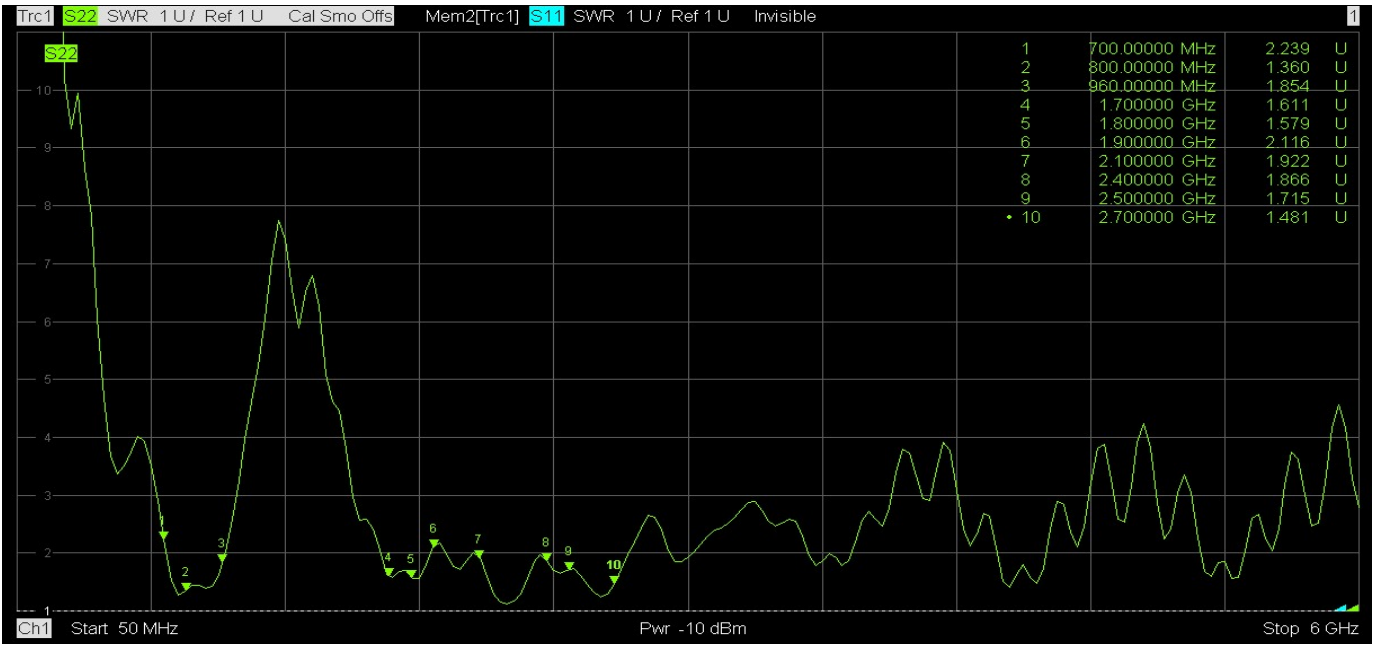
7 Maximum Power : 100W

# Antenna port 1

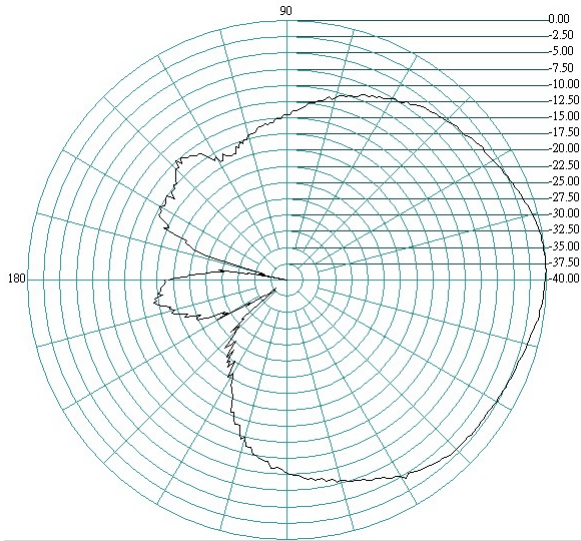


# Antenna port 2





H-PLANE



E-PLANE

