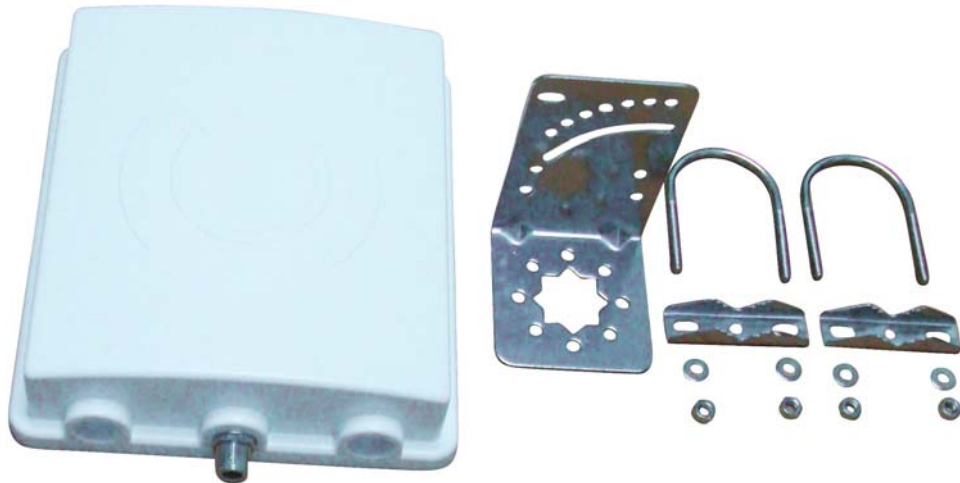


2.4-2.5GHz PANEL 14 dBi FOR N JACK



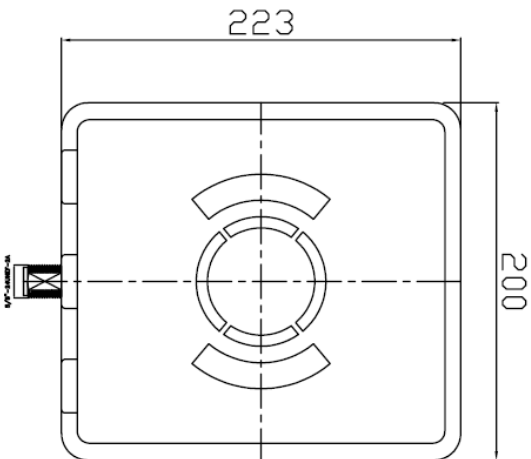
Specifications/Special Features :

This antenna is designed for wifi wireless communications

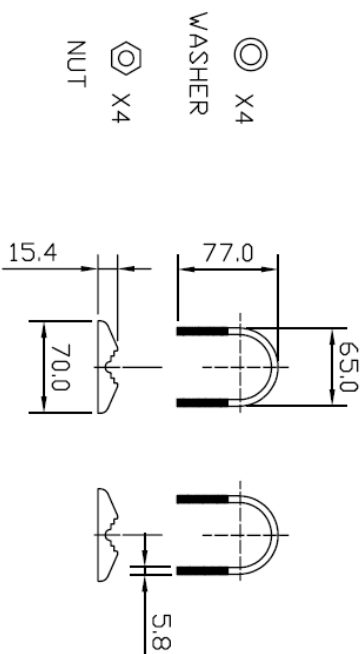
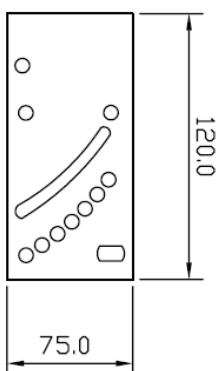
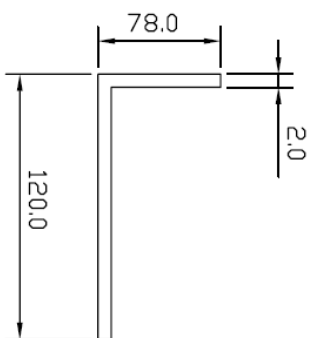
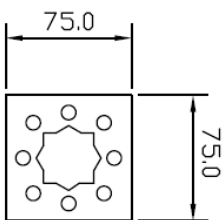
Specification	
Model No.	PA-24-05
Frequency Range	2.4~2.5GHz
Impedance	50Ω
V.S.W.R.	<1.5
Gain	14 dBi
Maximum Power -W	100
Polarization	Vertical
Mounting Mast Diameter-mm	Φ40~50
Standard Connector	N Female
Weight	1 kg
Radome Material	ABS polymer
Dimensions	223×200×60mm

PA-24-05

2.4-2.5G PANEL 14 dBi FOR N FEMALE

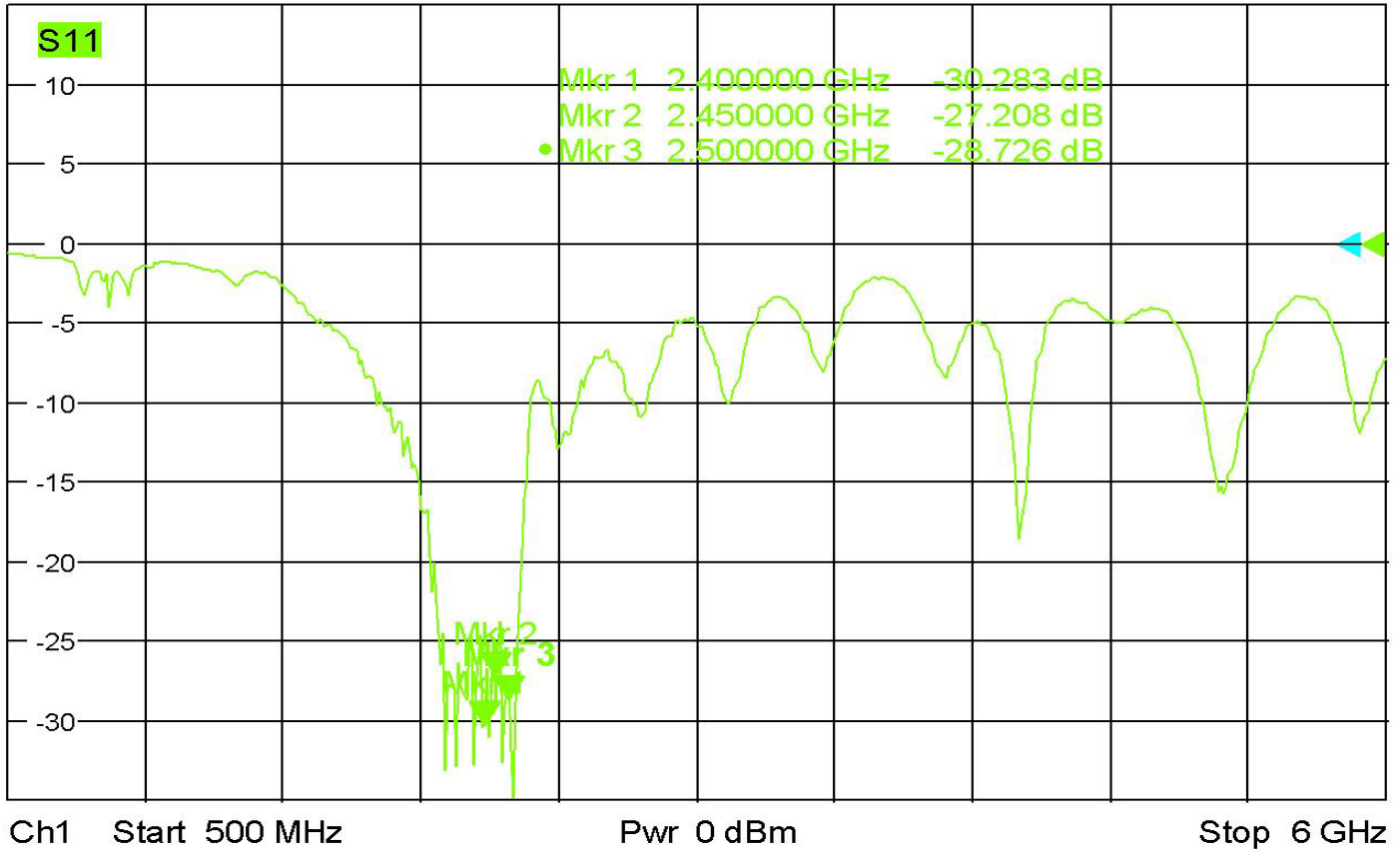


ANTENNA CONNECTOR : N FEMALE



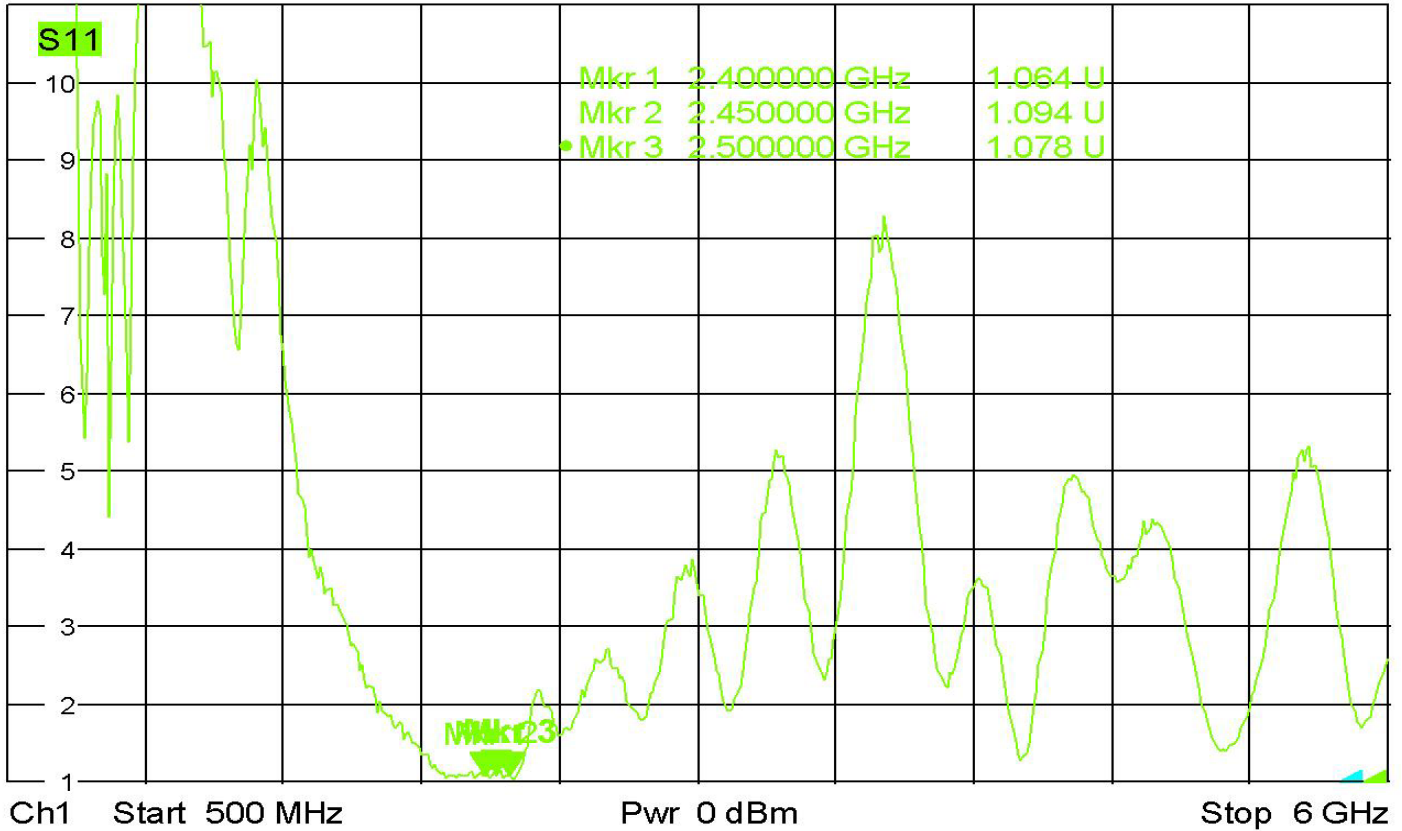
1	FREQUENCY RANGE : 2400-2500 MHZ	8	Dimensions : L223XW200XH60mm
2	GAIN : 14 dBi	9	
3	VSWR : < 1.5 : 1	10	
4	IMPEDANCE : 50 Ω	11	
5	POLARIZATION : LINEAR VERTICAL	12	
6	Antenna Connector : N FEMALE	13	
7	Maximum Power : 100W		

Trc1 S11 dB Mag 5 dB / Ref 0 dB Cal 1
Mem2[Trc1] S11 dB Mag 5 dB / Ref 0 dB Invisible



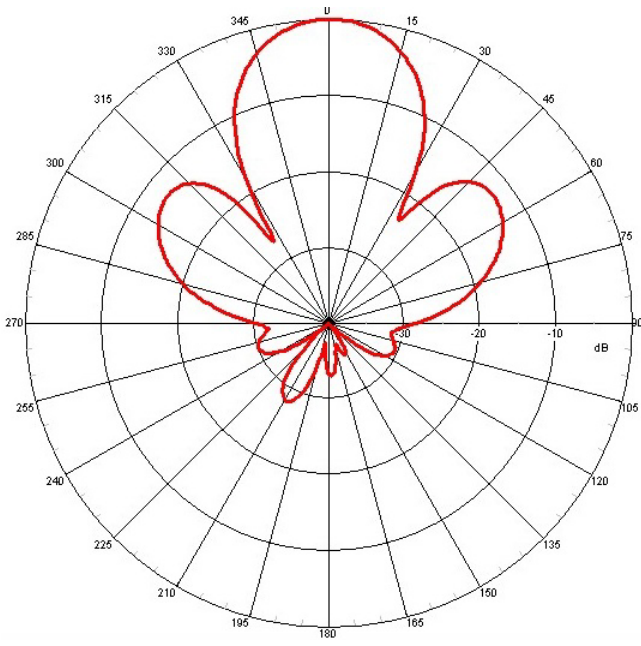
Date: 4.NOV.2009 13:22:02

Trc1 S11 SWR 1 U / Ref 1 U Cal 1
Mem2[Trc1] S11 SWR 1 U / Ref 1 U Invisible



Date: 4.NOV.2009 13:22:20

H-PLANE



E-PLANE

