

2.4-2.5GHz PANEL 6.5 dBi+SQUARE MAGNETIC BASE+CLF100(1.5M)+SMA PLUG RP



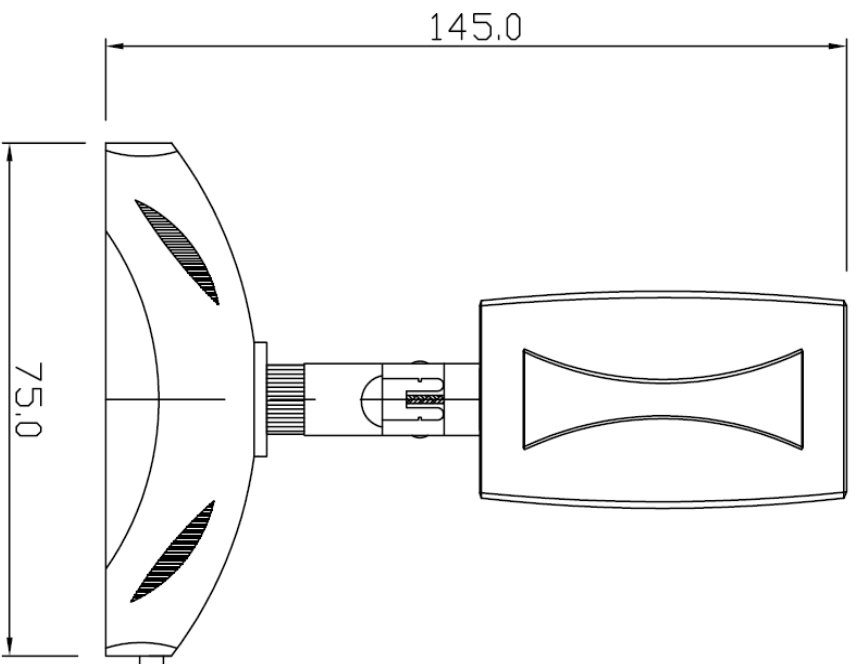
Specifications/Special Features :

This antenna is designed for wifi wireless communications

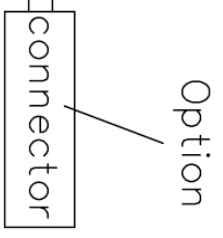
Specification	
Model No.	PA-24-09
Frequency	2400~2500MHz
Gain (dBi)	6.5 dBi
Type	PANEL
Polarization	Vertical
Impedance	50Ω
Beam width deg.	Horz.90° Vert.90°
VSWR	≤ 1.6
Base Connector	SMA FEMALE RP
Cable Connector	SMA MALE RP (Option)
Cable	Low Loss CLF100 Length=1.5M (Option)
Size	L75Xw75xH145 mm
Weight	117g

PA-24-09

2.4-2.5GHz PANEL 6.5 dBi+SQUARE MAGNETIC BASE+CLF100(1.5M)+SMA PLUG RP



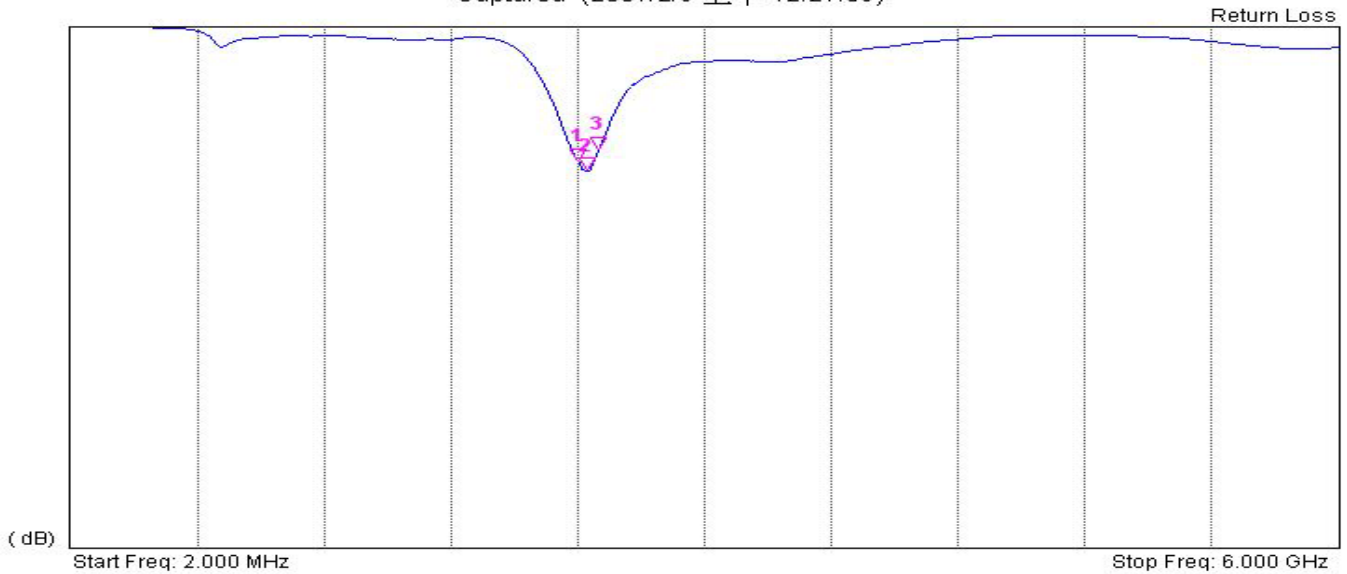
CABLE: Low Loss CLF100 (Option)



1	FREQUENCY : 2400~2500 MHz	6	IMPEDANCE : 50Ω
2	GAIN : 6.5 dBi	7	SIZE: L75xW75xH145 mm
3	V.S.W.R : <1.6	8	
4	BASE CONNECTOR: SMA FEMALE RP	9	
5	CABLE CONNECTOR: SMA MALE RP (Option)	10	

VNA Measurement Data
 Captured (2007/2/9 上午 12:27:59)

VNA



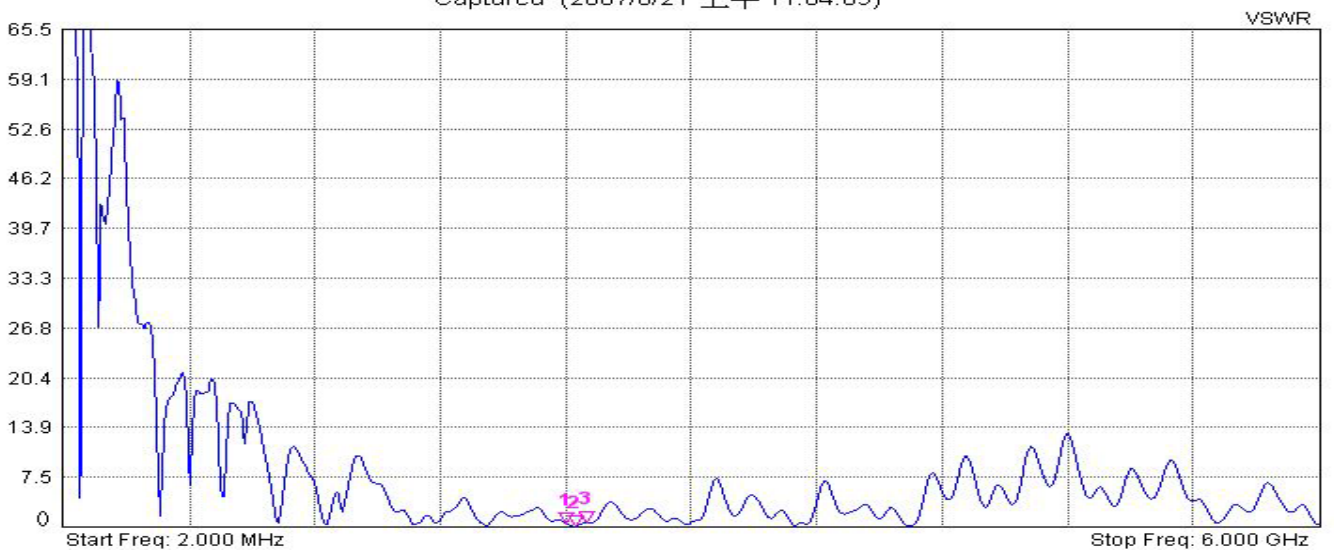
Mkr	Ref	Delta	Ref Freq	Ref Amp	Delta Freq	Delta Amp
1	<input type="checkbox"/>	<input type="checkbox"/>	2.4012 GHz	15.43 dB	--	--
2	<input type="checkbox"/>	<input type="checkbox"/>	2.4448 GHz	16.51 dB	--	--
3	<input type="checkbox"/>	<input type="checkbox"/>	2.4993 GHz	14.14 dB	--	--
4	<input type="checkbox"/>	<input type="checkbox"/>	--	--	--	--
5	<input type="checkbox"/>	<input type="checkbox"/>	--	--	--	--
6	<input type="checkbox"/>	<input type="checkbox"/>	--	--	--	--

Measurement Parameters

Calibration Status	On	Serial Number	651009
Data Points	551	Base Ver.	V1.48
Output Power	High	App Ver.	V1.48
Start Frequency	2.000 MHz	Date	2007/2/9 上午 12:27:59
Stop Frequency	6.000 GHz	Device Name	

VNA Measurement Data
 Captured (2007/6/21 上午 11:04:09)

VNA



Mkr	Ref	Delta	Ref Freq	Ref Amp	Delta Freq	Delta Amp
1	<input type="checkbox"/>	<input type="checkbox"/>	2.4012 GHz	1.44	--	--
2	<input type="checkbox"/>	<input type="checkbox"/>	2.4448 GHz	1.07	--	--
3	<input type="checkbox"/>	<input type="checkbox"/>	2.4993 GHz	1.55	--	--
4	<input type="checkbox"/>	<input type="checkbox"/>	--	--	--	--
5	<input type="checkbox"/>	<input type="checkbox"/>	--	--	--	--
6	<input type="checkbox"/>	<input type="checkbox"/>	--	--	--	--

Measurement Parameters

Calibration Status	On	Serial Number	651009
Data Points	551	Base Ver.	V1.48
Output Power	High	App Ver.	V1.48
Start Frequency	2.000 MHz	Date	2007/6/21 上午 11:04:09
Stop Frequency	6.000 GHz	Device Name	

H-PLANE

E-PLANE

