



FLAT TYPE 850/900/1800/1900/2100MHz 3dBi DIPOLE ANTENNA FOR SMA PLUG (Antenna Plane to the left and right)

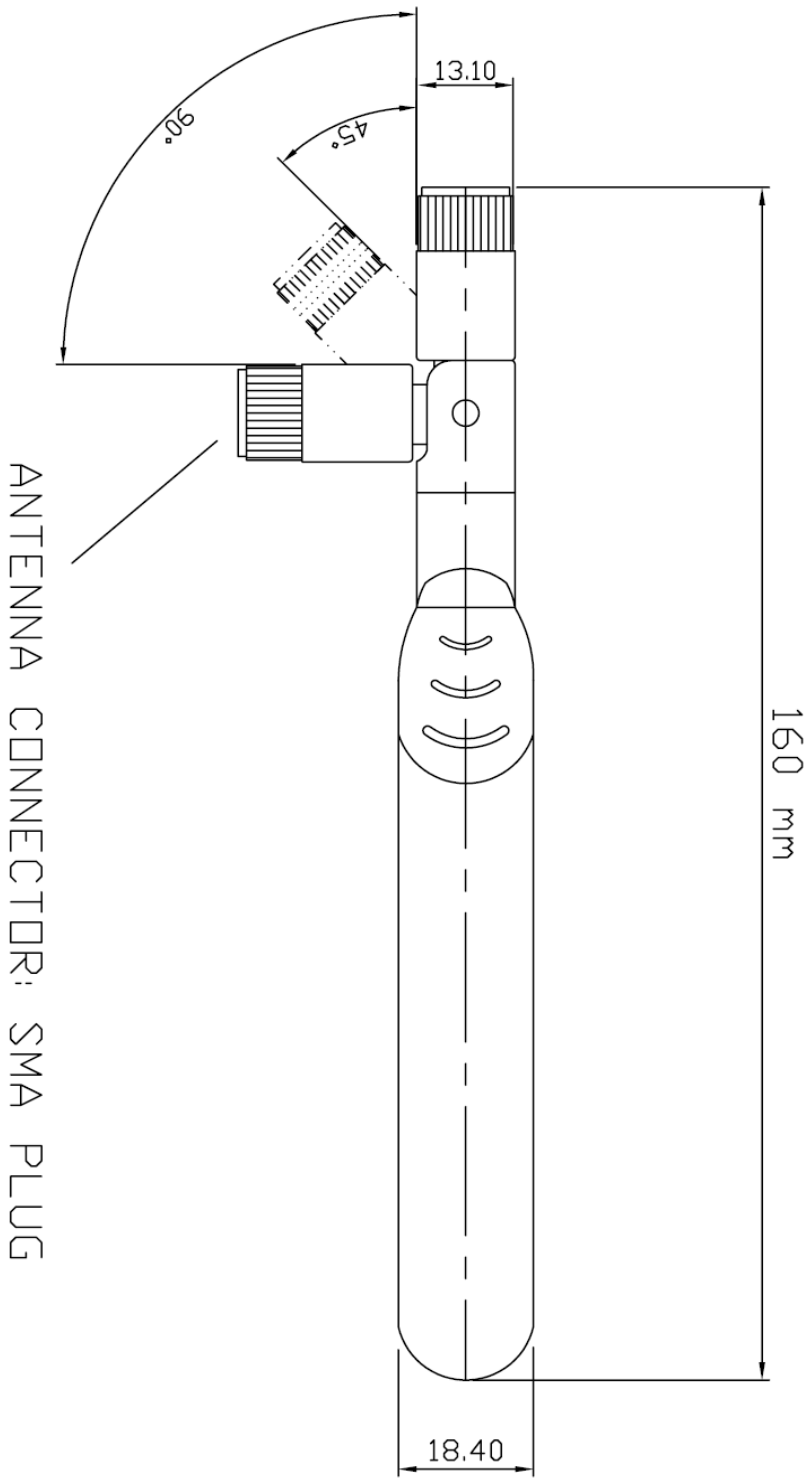


Specifications/Special Features :
Global System for Mobile Communication
850/900/1800/1900/2100MHz phone antenna,
Broadband design for GSM/DCS/PCS/WCDMA systems.

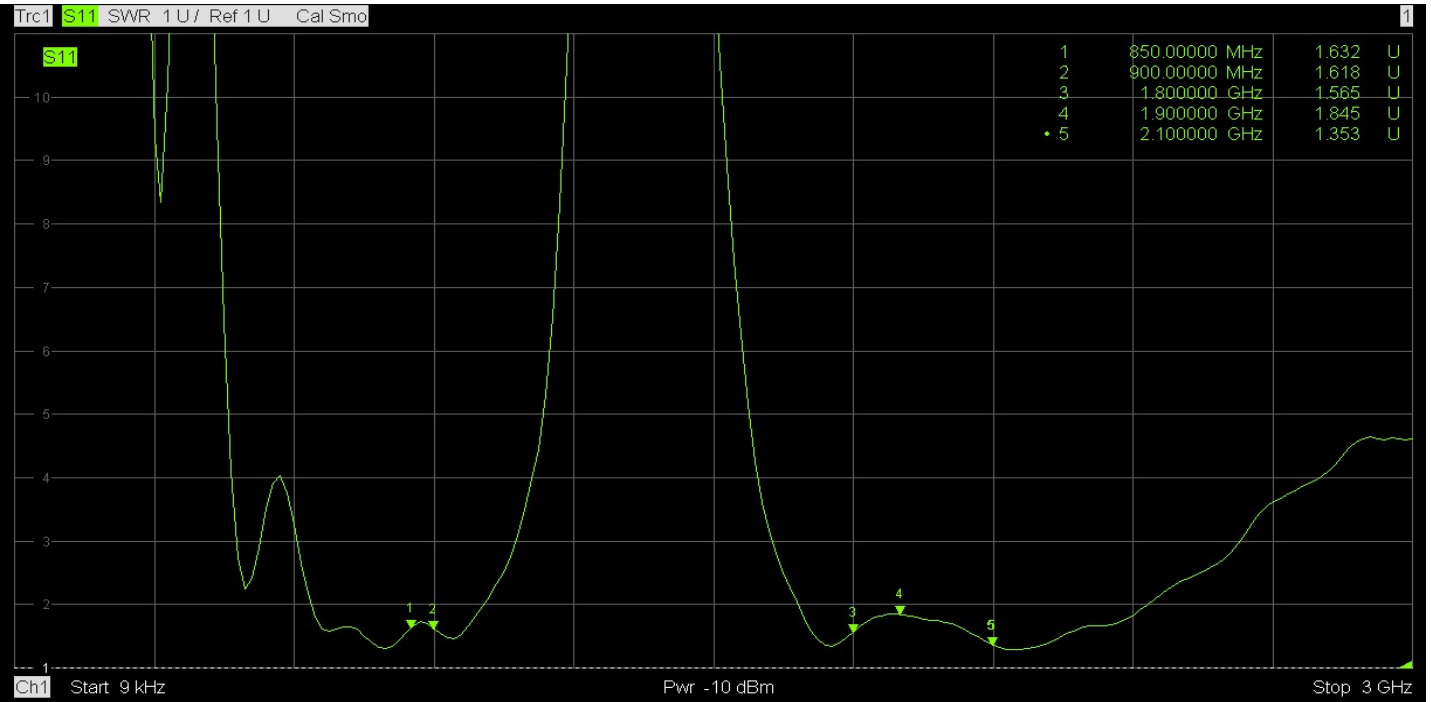
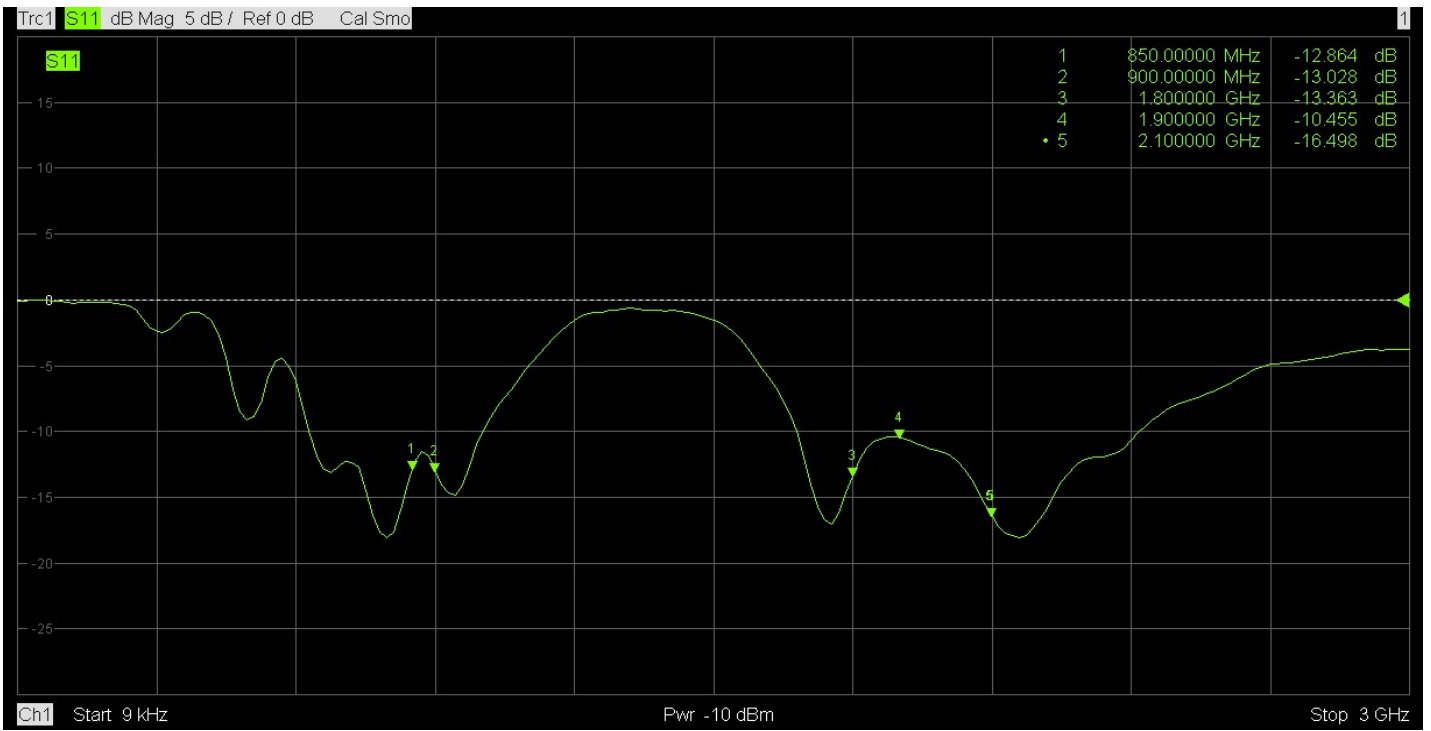
Specification	
Model No.	DA-0821-01
Antenna Connector	SMA PLUG (Option)
Frequency	850/900/1800/1900/2100 MHz
Antenna Type	Dipole
Antenna Form	Flat Type
Gain (dBi)	3dBi
Polarization	Linear Vertical
VSWR	≤ 2.0
Max Power	50W
Impedance	50 Ω
Weight	24g
Size	L160×W18.4×H13.7mm

DA-0821-01-SM

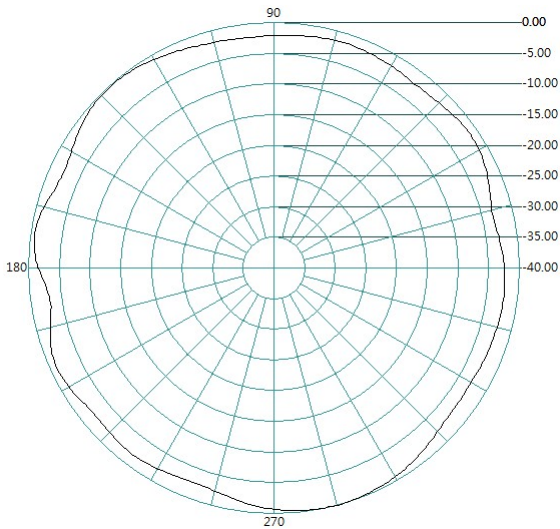
FLAT TYPE 850/900/1800/1900/2100MHz 3dB Dipole Antenna for SMA Plug (Antenna Plane to the left and right)



1	FREQUENCY : 850/900/1800/1900/2100MHz	6	IMPEDANCE : 50 Ω
2	GAIN : 3 dBi	7	
3	V.S.W.R : $\leq 2.0:1$	8	
4	ANTENNA LENGTH : L160xW18.4xH13.7 mm	9	
5	CONNECTOR : SMA PLUG	10	



H-PLANE



E-PLANE

