



長 宏 科 技 有 限 公 司  
Chang Hong Information Co., Ltd.

FLAT TYPE 850/900/1800/1900/2100MHz 5dBi DIPOLE ANTENNA FOR SMA PLUG (Antenna Plane to the left and right)



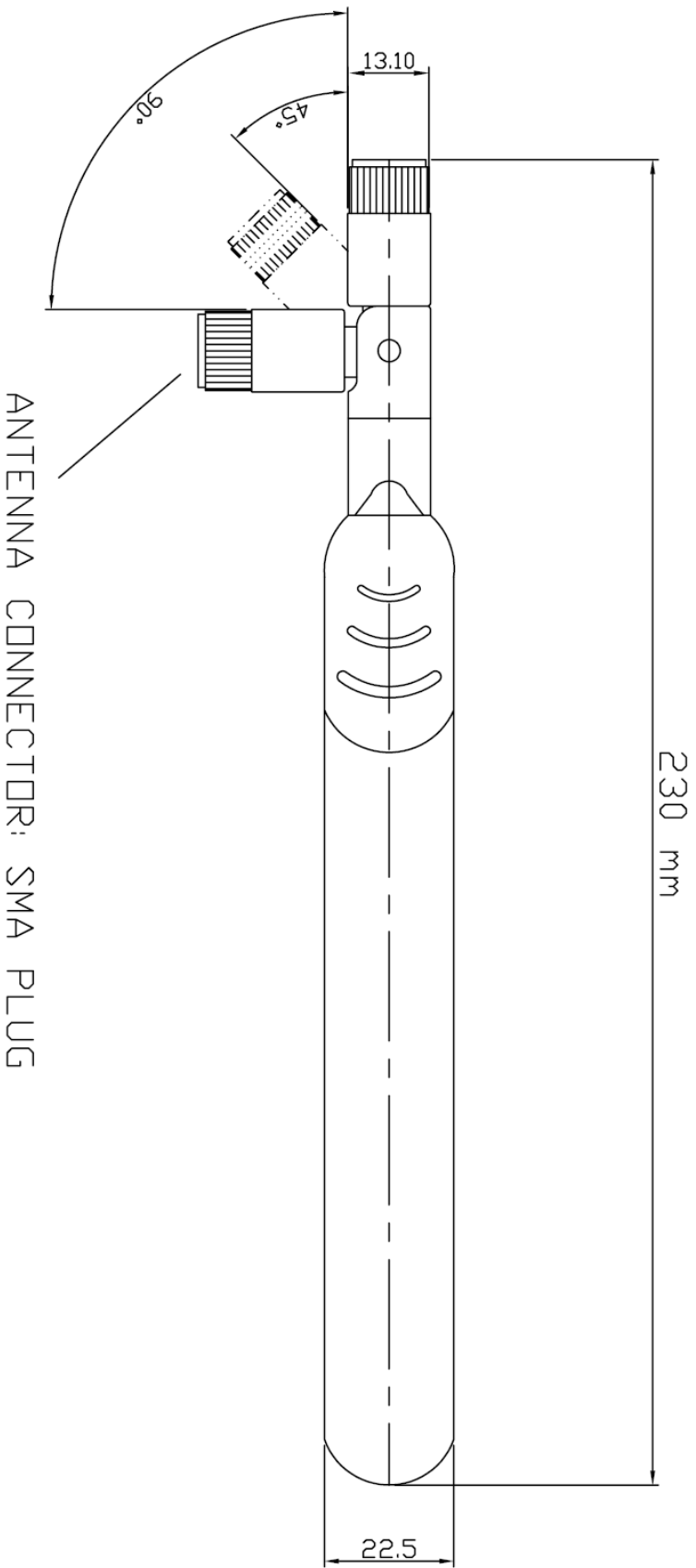
RoHS

Specifications/Special Features :  
Global System for Mobile Communication  
850/900/1800/1900/2100MHz phone antenna,  
Broadband design for GSM/DCS/PCS/WCDMA systems.

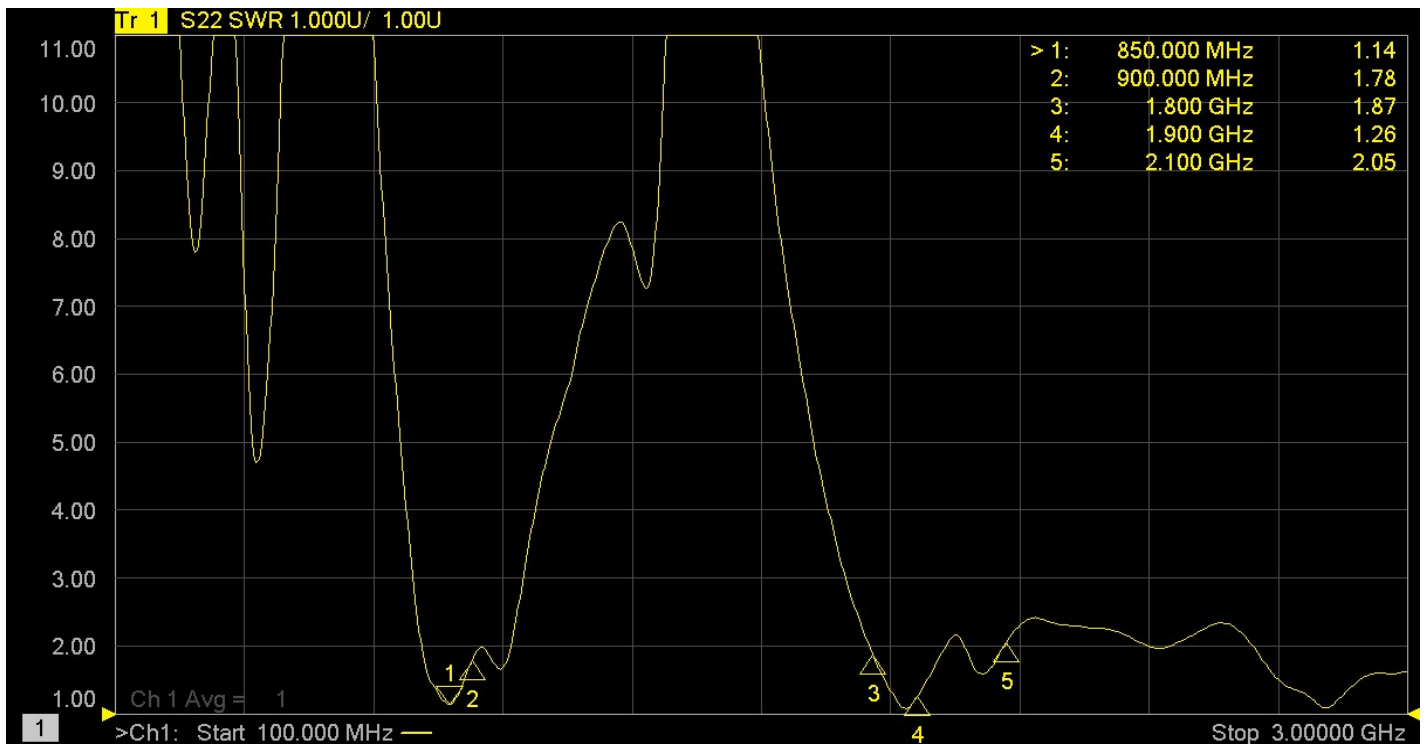
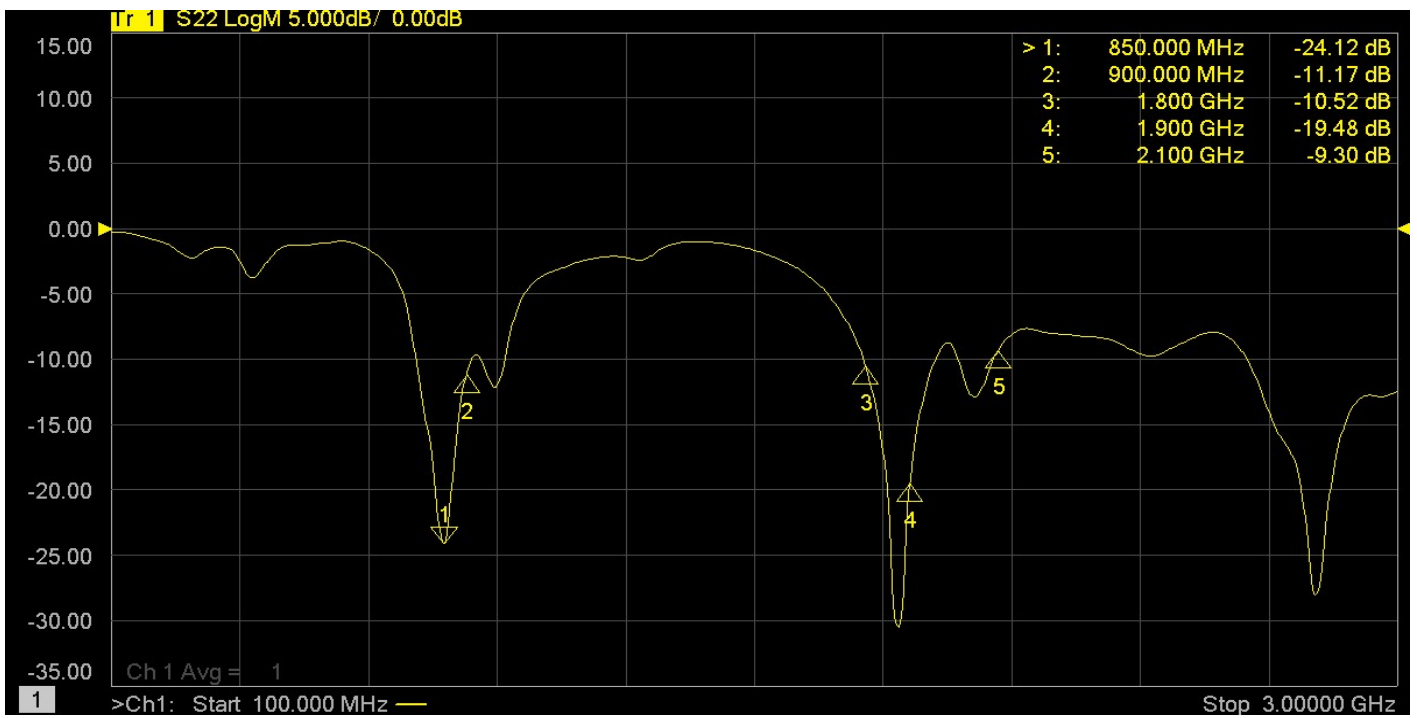
Specification	
Model No.	DA-0821-02
Antenna Connector	SMA PLUG (Option)
Frequency	850/900/1800/1900/2100MHz
Antenna Type	Dipole
Antenna Form	Flat Type
Gain ( dBi )	5 dBi
Polarization	Linear Vertical
VSWR	$\leq 2.0 : 1$
Max Power	50W
Weight	40g
Size	L230×W22.5×H13.1mm

DA-0821-02-SM

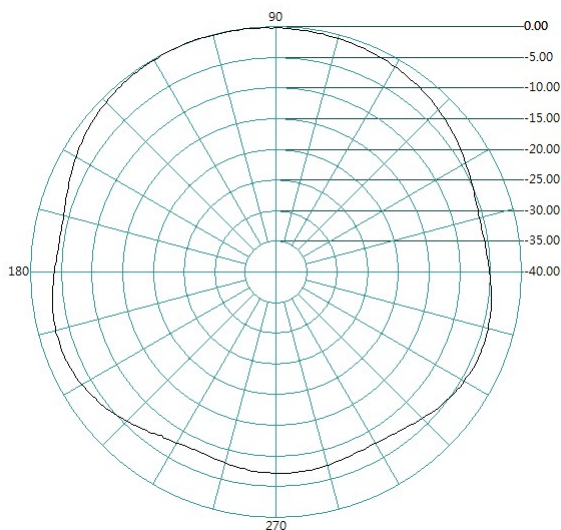
FLAT TYPE 850/900/1800/1900/2100MHz 5dBi DIPOLE ANTENNA FOR SMA PLUG (Antenna Plane to the left and right)



1	FREQUENCY : 850/900/1800/1900/2100MHz	6	IMPEDANCE : 50 Ω
2	GAIN : 5dBi	7	
3	V.S.W.R : <=2.0:1	8	
4	ANTENNA LENGTH : L230xW22.5XH13.1 mm	9	
5	CONNECTOR : SMA PLUG	10	



**H-PLANE**



**E-PLANE**

