

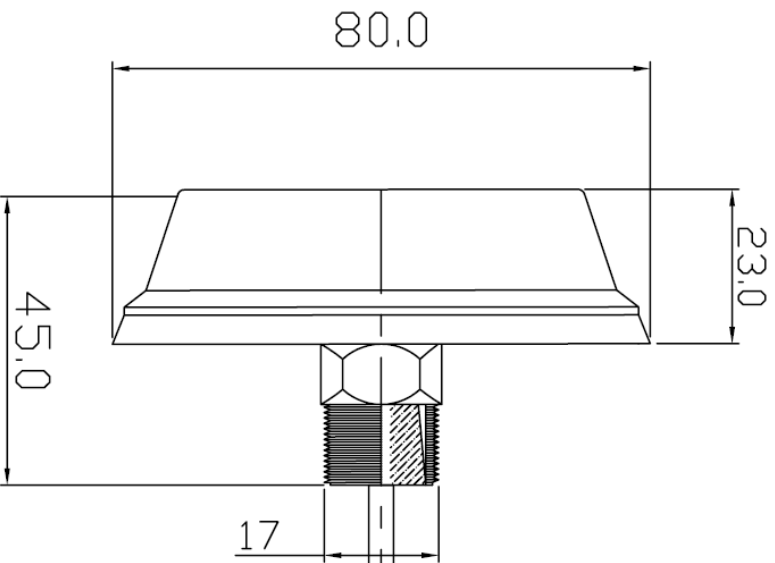


Specifications/Special Features :
This antenna is designed for wifi wireless communications

Specification	
Model No.	CA-2458-02
Operating Frequency	2400-2500/5100-5900 MHz
Antenna Type	Ceiling/Roof Screw
Gain	2.4-2.5Ghz 3dBi/5.1-5.9Ghz 5 dBi
VSWR	< 1.7
Polarization	Linear Vertical
Temperature	-40 to +85 °C
Humidity	40% to 95% RH
Connector Options	SMA PLUG RP (Option)
Cable	LOW LOSS CLF100 Length=30CM (Option)
Antenna Color	black or white (Option)
Dimension	L45xW80xH45mm

CA-2458-02

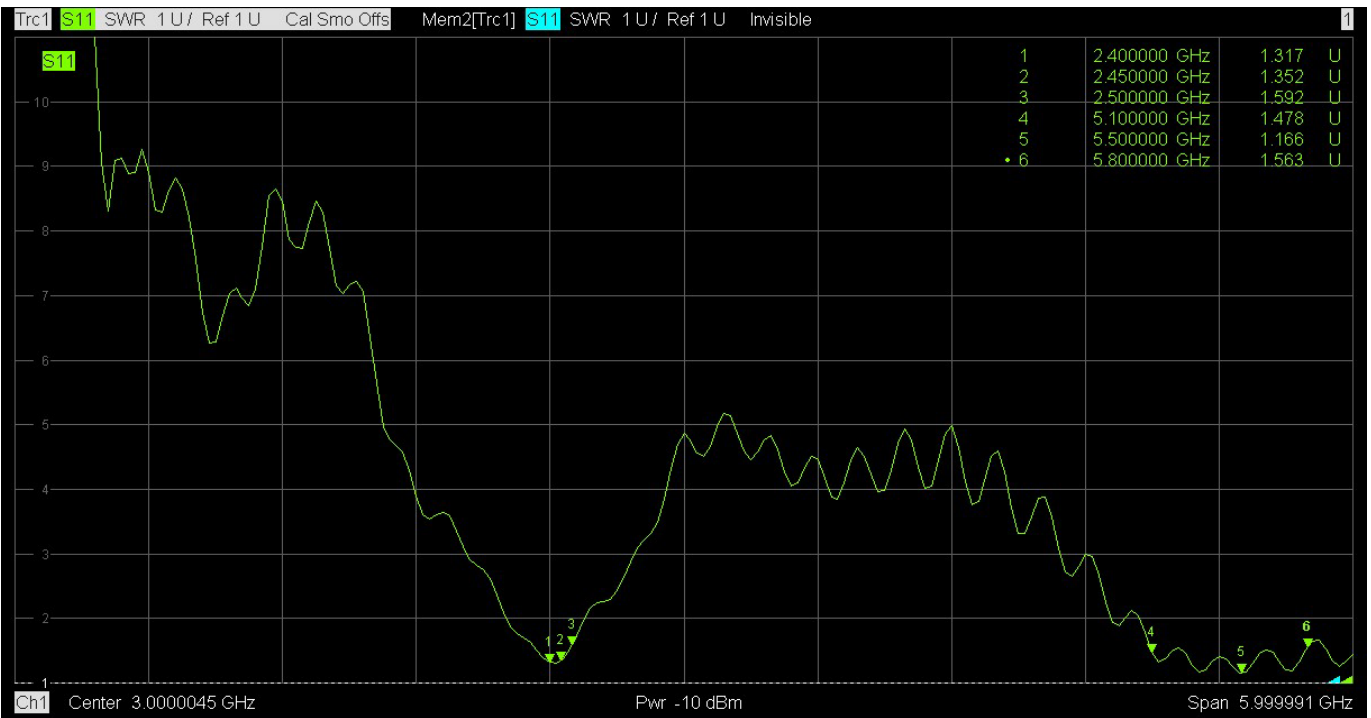
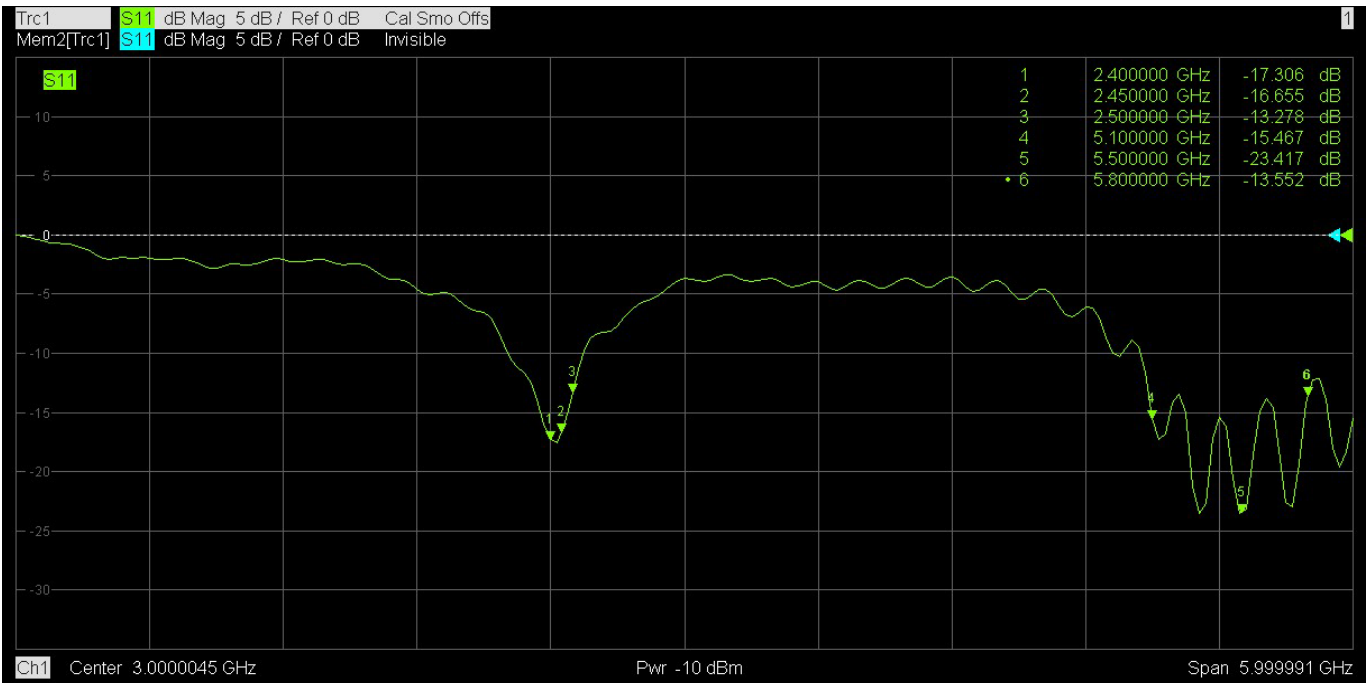
2.4-2.5GHz 3dBi/5.1-5.9GHz 5dBi CEILING/ROOF+CLF100(30CM)+SMA PLUG RP



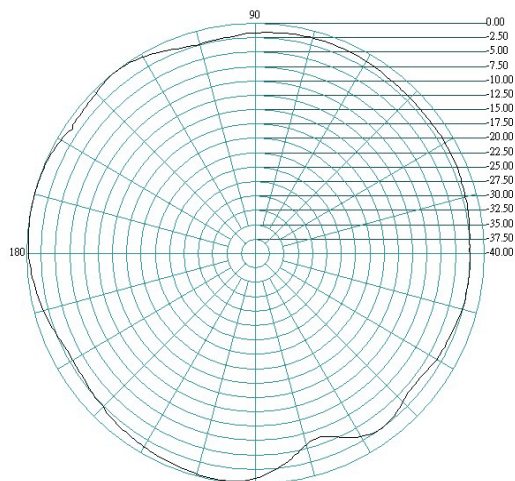
CABLE:Low Loss CLF100 Length=30CM (Option)

SMA PLUG RP (Option)

1	FREQUENCY : 2400-2500/5100-5900 MHz	6	IMPEDANCE : 50Ω
2	GAIN : 2.4-2.5GHz 3dBi/5.1-5.9GHz 5 dBi	7	
3	V.S.W/R : <1.7	8	
4	CABLE LENGTH : 30CM (Option)	9	
5	CONNECTOR : SMA & TNC ... (Option)	10	



H-PLANE



E-PLANE

