

GPS ACTIVE/WIFI 2.4-2.5GHz 3dBi 2 IN 1 ROOF SCREW MOUNT+RG174(5M)x2+SMA PLUG(GPS)+SMA PLUG RP(WIFI)



Specifications/Special Features :

This antenna is designed for GPS/wifi wireless communications

Specification	
Model No.	GPM-03
Antenna Type	ROOF SCREW MOUNT
Antenna Size	L80xW80xH45 mm
WIFI	
Gain (d Bi)	3 dBi
Frequency	2400-2500 MHz
VSWR	< 1.5
Polarization	Linear Vertical
Temperature	-40 to +85 °C
Humidity	40% to 95% RH
Cable Connector	SMA PLUG RP (Option)
Coaxial Cable	RG174 Length=5M (Option)

Ceramic Path Specification:

Operating Frequency	T1 1575.42±1.023 MHz
Output Impedance	50 ohms
Polarization	R.H.C.P.
Bandwidth	10 MHz min. @S11<=-10 dB
Gain at 10° elevation	-1 dBic Typ.
Axial Ratio	3.0 dB Typ.

LNA/Filter Specification:

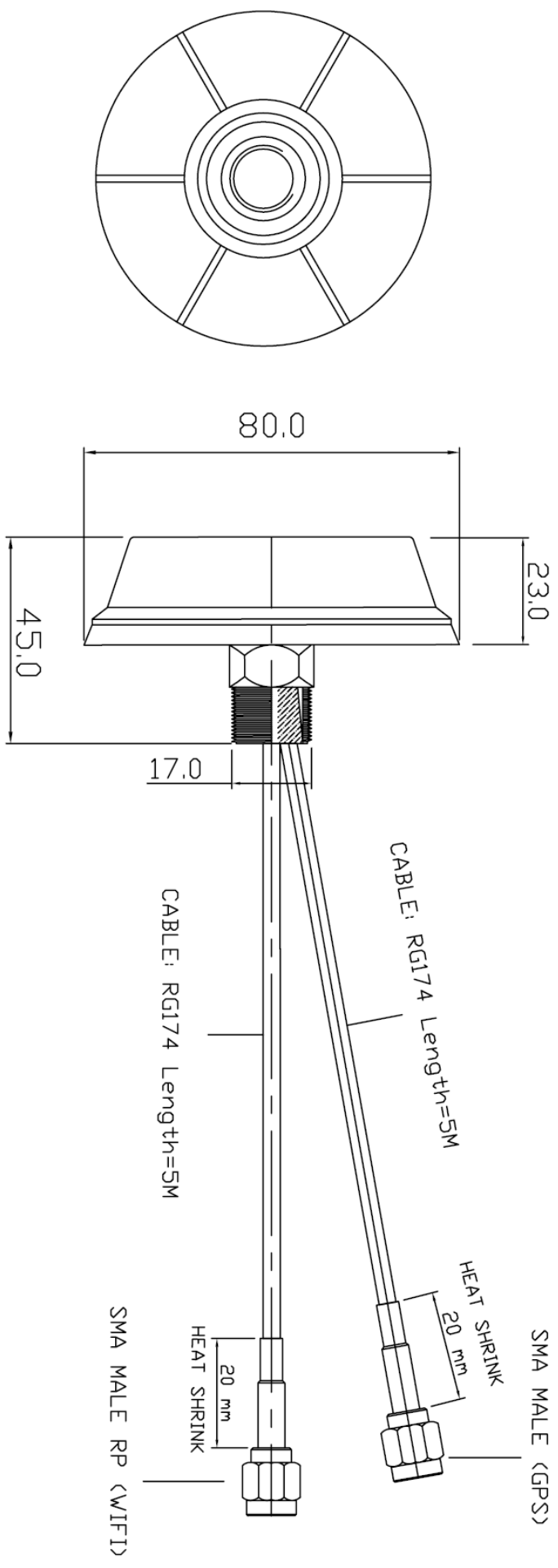
Operating Frequency	T1 1575.42±1.023 MHz
Gain	28 Db Typ.
Noise Figure	1.5 Typ.
Filter	DR Filter
	20dB 30dB min @ fo±50MHz
	30dB 35dB min @ fo±50MHz
	* fo=1575.42 MHz
Output VSWR	2.0 Max
Voltage	2.3~5.5V
Current	2.5V : 6.6mA Typical
	3V : 8.6mA Typical
	4V : 12.6mA Typical
	5V : 16.6mA Typical

General specification:

Dimensions	L 41xW38xH13 mm
Antenna Color	Black
Coaxial Cable	RG174 Length=5M (Option)
Cable Connector	SMA MALE (Option)
Operating Temperature	-30°C to +85°C
Storage Temperature	-40°C to +90°C

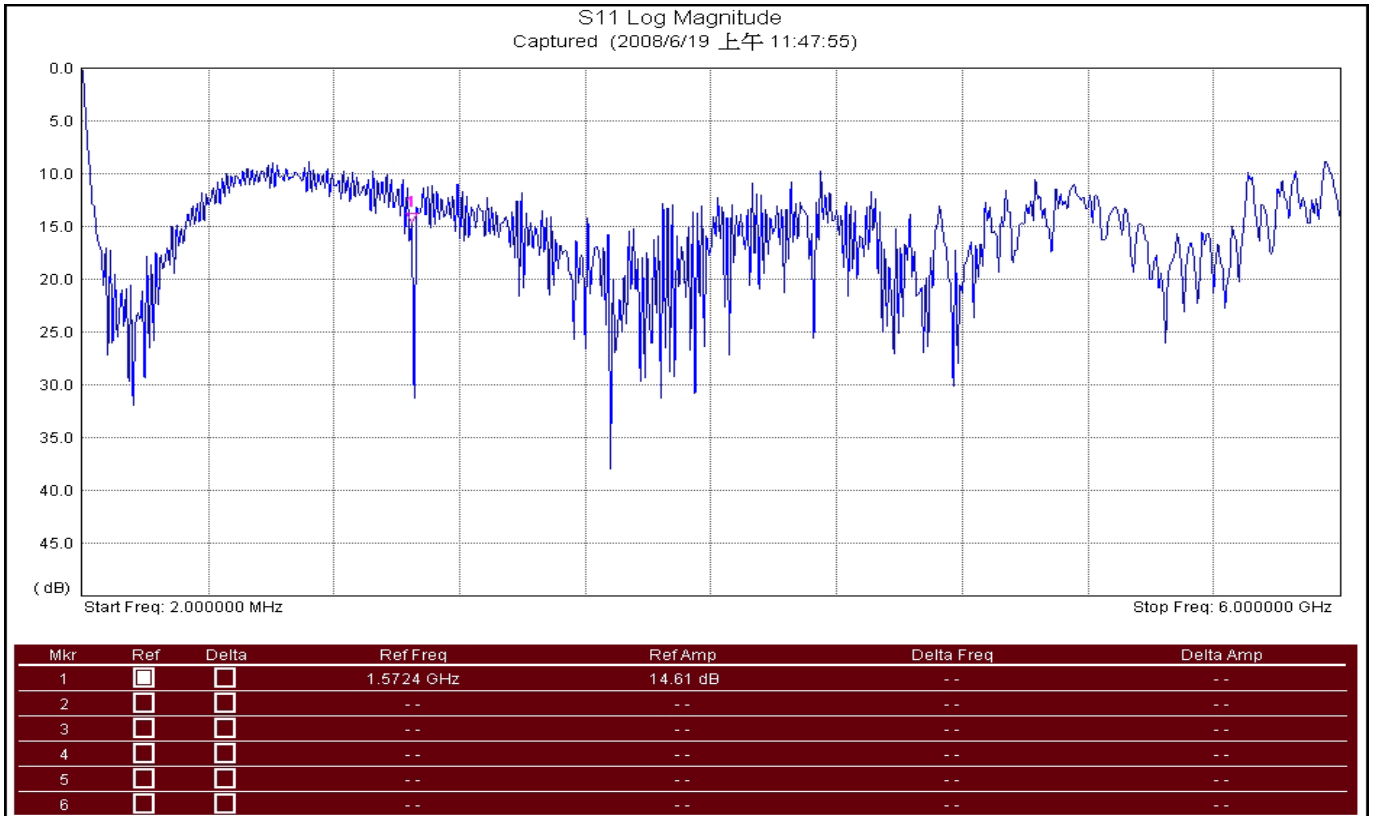
GPM-03

GPS ACTIVE/WIFI 2.4-2.5GHz 3dBI 2 IN 1 ROOF SCREW MOUNT+RG174(5M)x2+SMA PLUG(GPS)+SMA PLUG RP(WIFI)



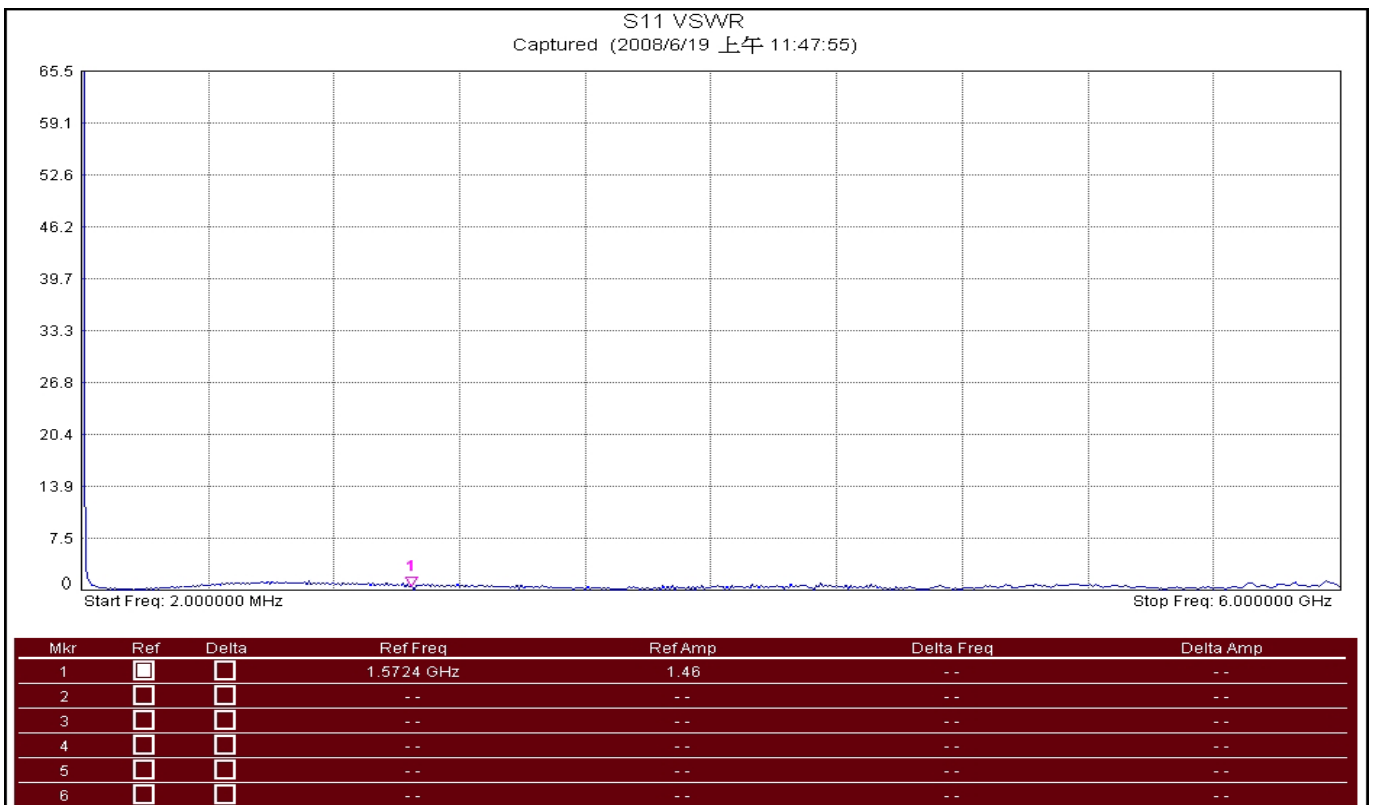
1	FREQUENCY :	GPS1575 /WIFI2400-2500MHz	6	IMPEDANCE :	50Ω
2	GAIN :	GPS 28dB /WIFI2.4-2.5G 3dBI	7		
3	V.S.W/R :	<1.5	8		
4	CABLE LENGTH :	RG174 L=5M x2(Option)	9		
5	CONNECTOR :	SMA PLUG(GPS) AND SMA PLUG RP(WIFI) (Option)	10		

GPS TEST



Measurement Parameters

Calibration Status	On	Ref. Plane Leng	0
Cal Mode	Standard		
Data Points	551	Serial Number	651009
Output Power	High	Base Ver.	V1.48
Start Frequency	2.000000 MHz	App Ver.	V1.48
Stop Frequency	6.000000 GHz	Date	6/19/2008 11:47:55 AM
Smoothing %	0	Device Name	



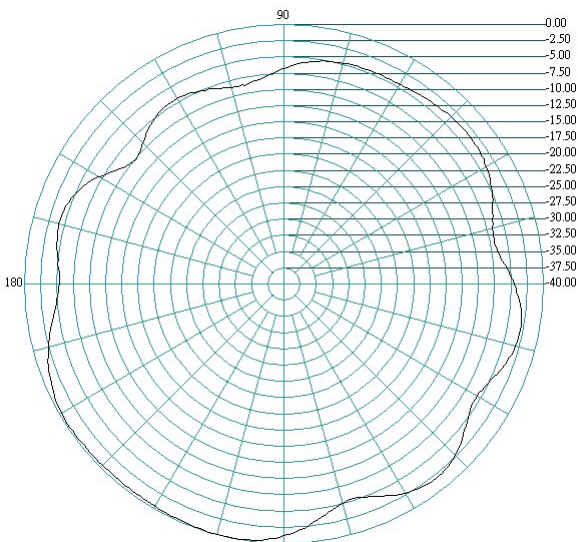
Measurement Parameters

Calibration Status	On	Ref. Plane Leng	0
Cal Mode	Standard		
Data Points	551	Serial Number	651009
Output Power	High	Base Ver.	V1.48
Start Frequency	2.000000 MHz	App Ver.	V1.48
Stop Frequency	6.000000 GHz	Date	6/19/2008 11:47:55 AM
Smoothing %	0	Device Name	

WIFI 2.4-2.5G TEST



H-PLANE



E-PLANE

