

GSM850/900/1800/1900/2100 - WIFI 2400-2500 MHz 3dBi 2 IN 1 ROOF
SCREW+RG174(3M)x2+SMA PLUG(GSM)+SMA PLUG RP(WIFI)



Specifications/Special Features :

This antenna is designed for
WIFI/GSM/UMTS/WCDMA wireless
communications

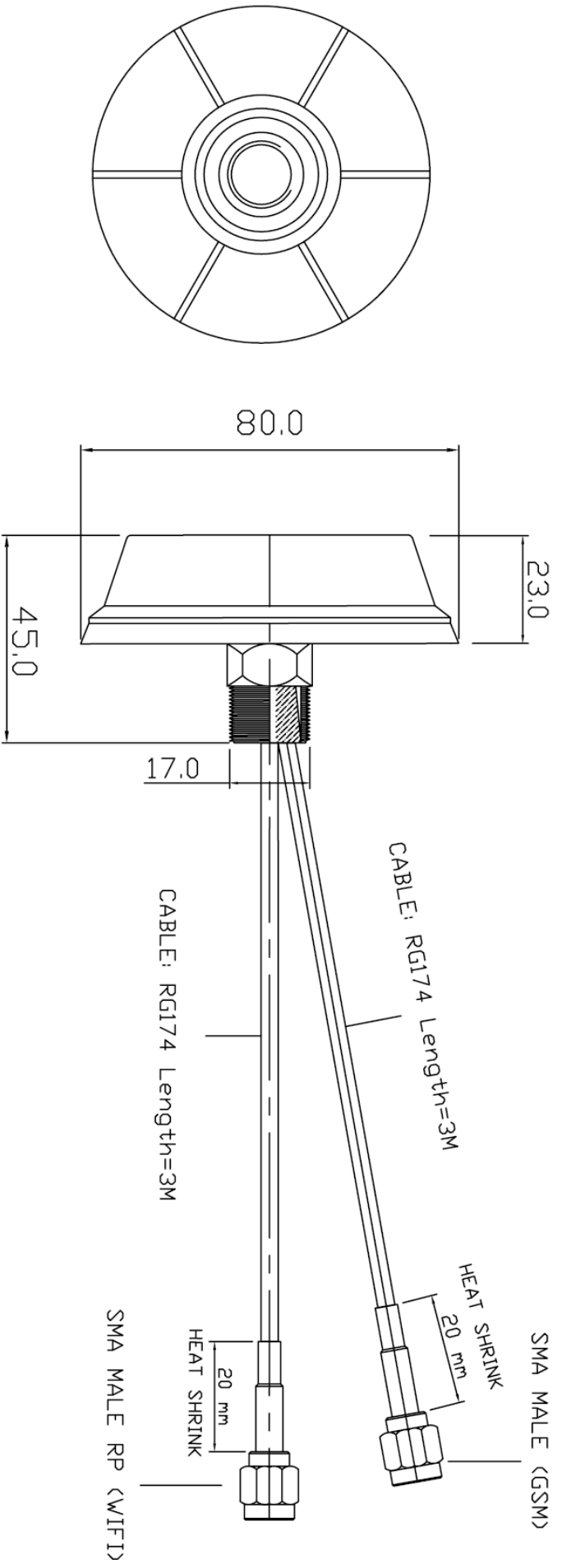
Specification	
Model No.	GSM-06-2
Antenna Type	Roof Screw Mount
Antenna Size	L80xW80xH45 mm
GSM	
Gain (d Bi)	3 dBi
Frequency	850/900/1800/1900/2100 MHz
VSWR	< 1.8
Polarization	Linear Vertical
Temperature	-40 to +85 °C
Humidity	40% to 95% RH
Connector (GSM)	SMA MALE (Option)
Coaxial Cable	RG174 Length=3M (Option)

WIFI

Gain (d Bi)	3 dBi
Frequency	2400-2500 MHz
VSWR	< 1.8
Polarization	Linear Vertical
Temperature	-40 to +85 °C
Humidity	40% to 95% RH
Cable Connector	SMA MALE RP (Option)
Coaxial Cable	RG174 Length=3M (Option)

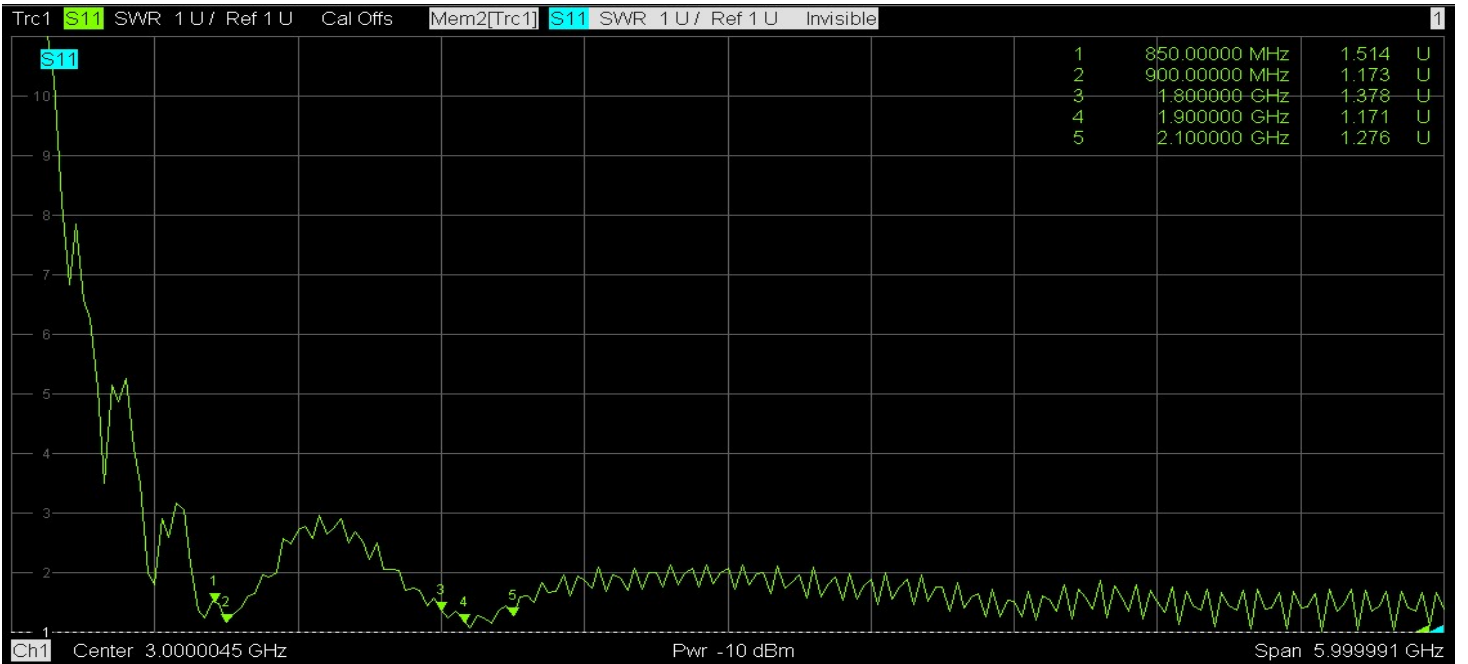
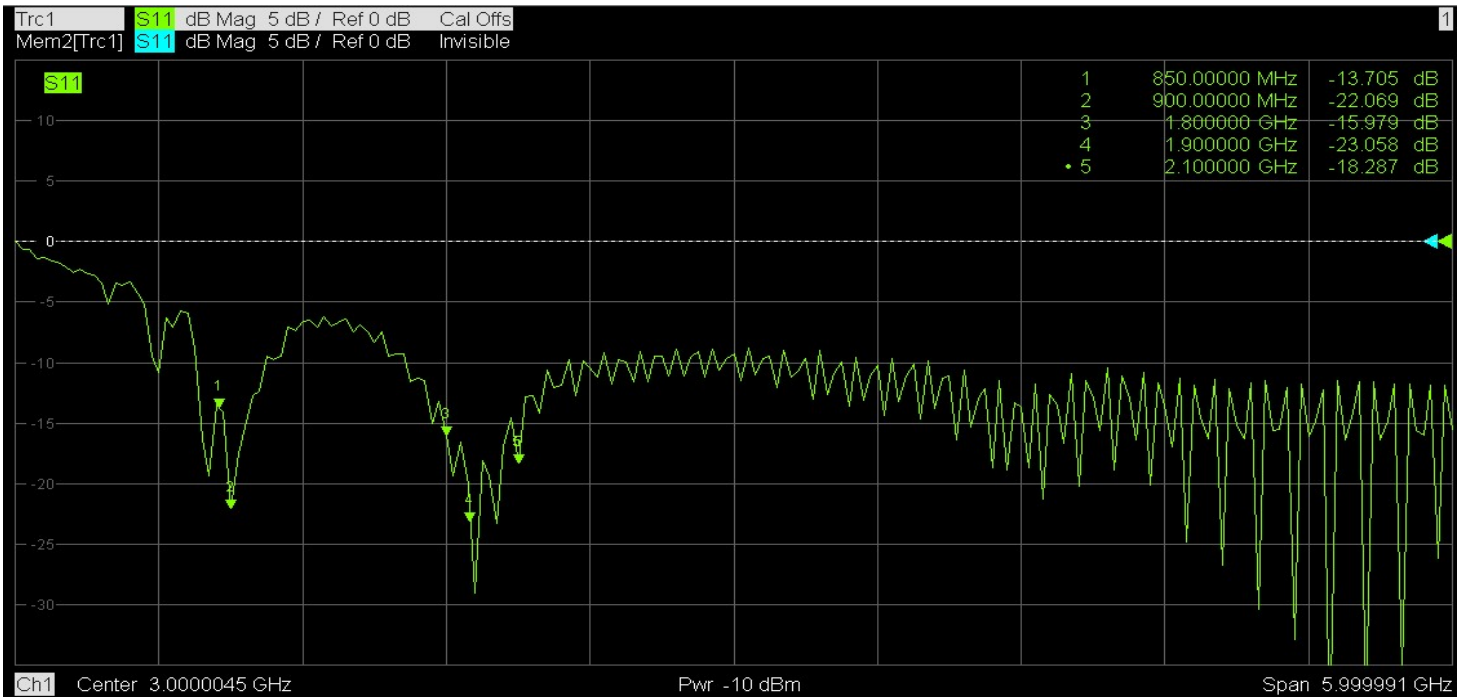
GSM-06-2

GSM850/900/1800/1900/2100-WIFI2400-2500MHz 3dBi 2 IN 1 ROOF SCREW+RG174(3M)x2+SMA PLUG(GSM)+SMA PLUG RP(WIFI)

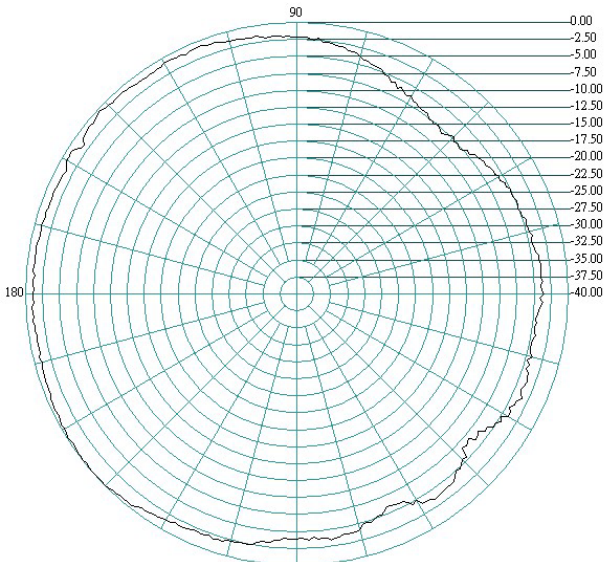


1	FREQUENCY : GSM1850/900/1800/1900/2100 / 2400-2500 MHz	6	IMPEDANCE : 50 Ω
2	GAIN : GSM 3dBi/WIFI 3dBi	7	
3	V.S.W.R : < 1.8	8	
4	CABLE LENGTH : RG174 L=3Mx2 (Option)	9	
5	CONNECTOR : SMA MALE(GSM) / SMA MALE RP(WIFI) (Option)	10	

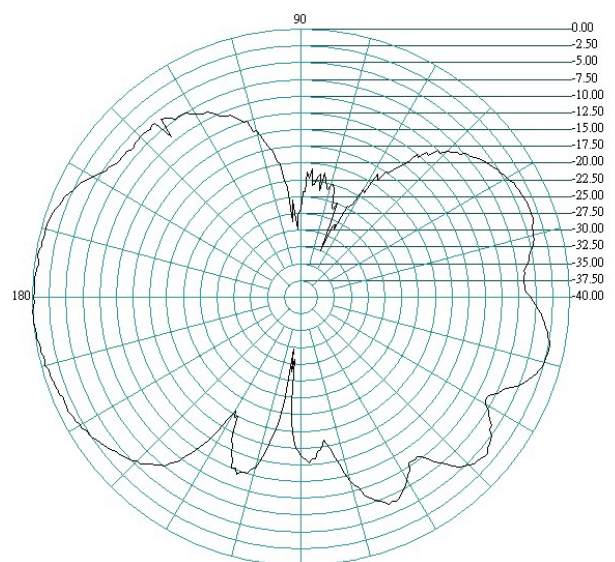
GSM TEST



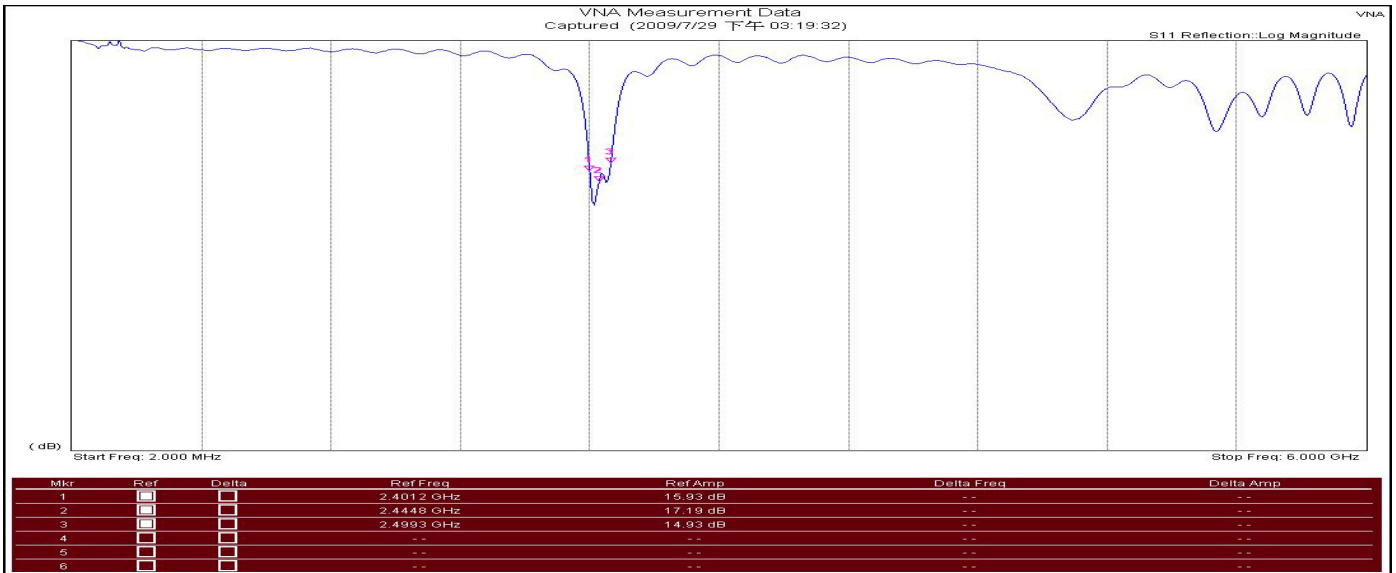
H-PLANE



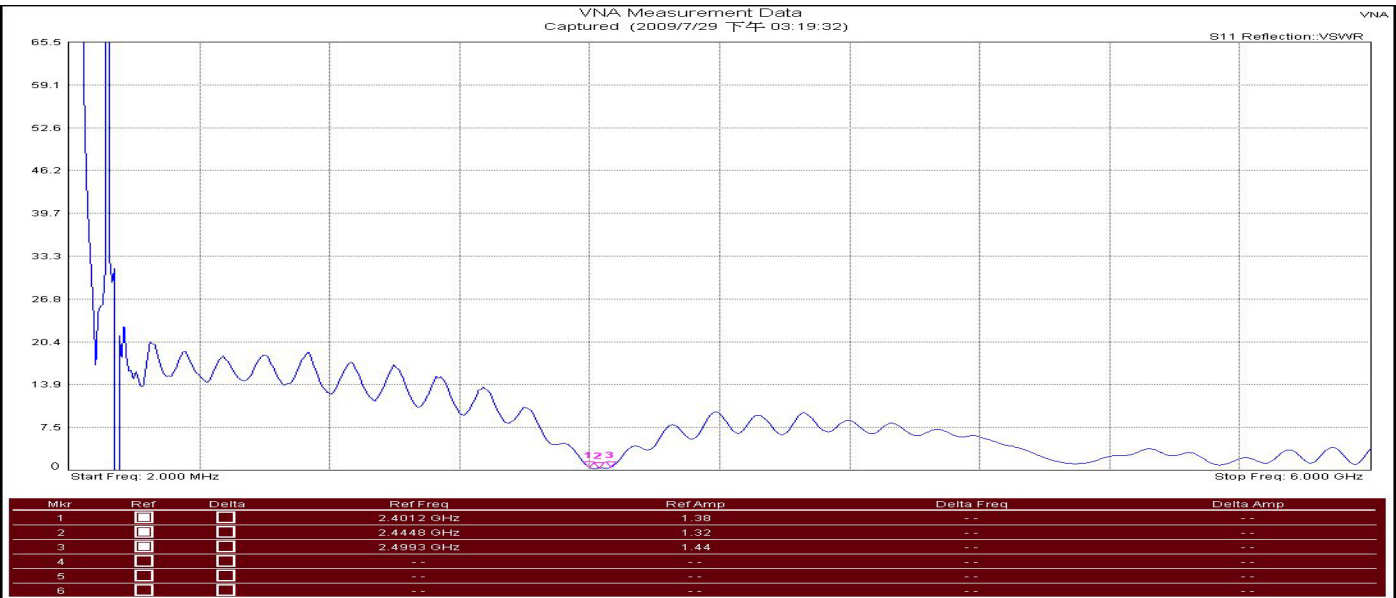
E-PLANE



WIFI TEST

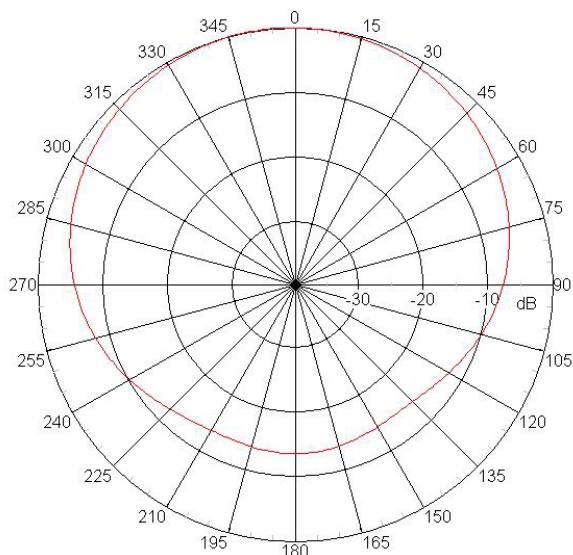


Calibration Status		Measurement Parameters	
Calibration Status	On	Serial Number	651009
Data Points	551	Base Ver.	V1.48
Output Power	High	App Ver.	V1.48
Start Frequency	2.000 MHz	Date	2009/7/29 下午 03:19:32
Stop Frequency	6.000 GHz	Device Name	



Calibration Status		Measurement Parameters	
Calibration Status	On	Serial Number	651009
Data Points	551	Base Ver.	V1.48
Output Power	High	App Ver.	V1.48
Start Frequency	2.000 MHz	Date	2009/7/29 下午 03:19:32
Stop Frequency	6.000 GHz	Device Name	

H-PLANE



E-PLANE

