

5.1-5.8GHz Dipole 5dBi FOR SMA PLUG RP (Option)



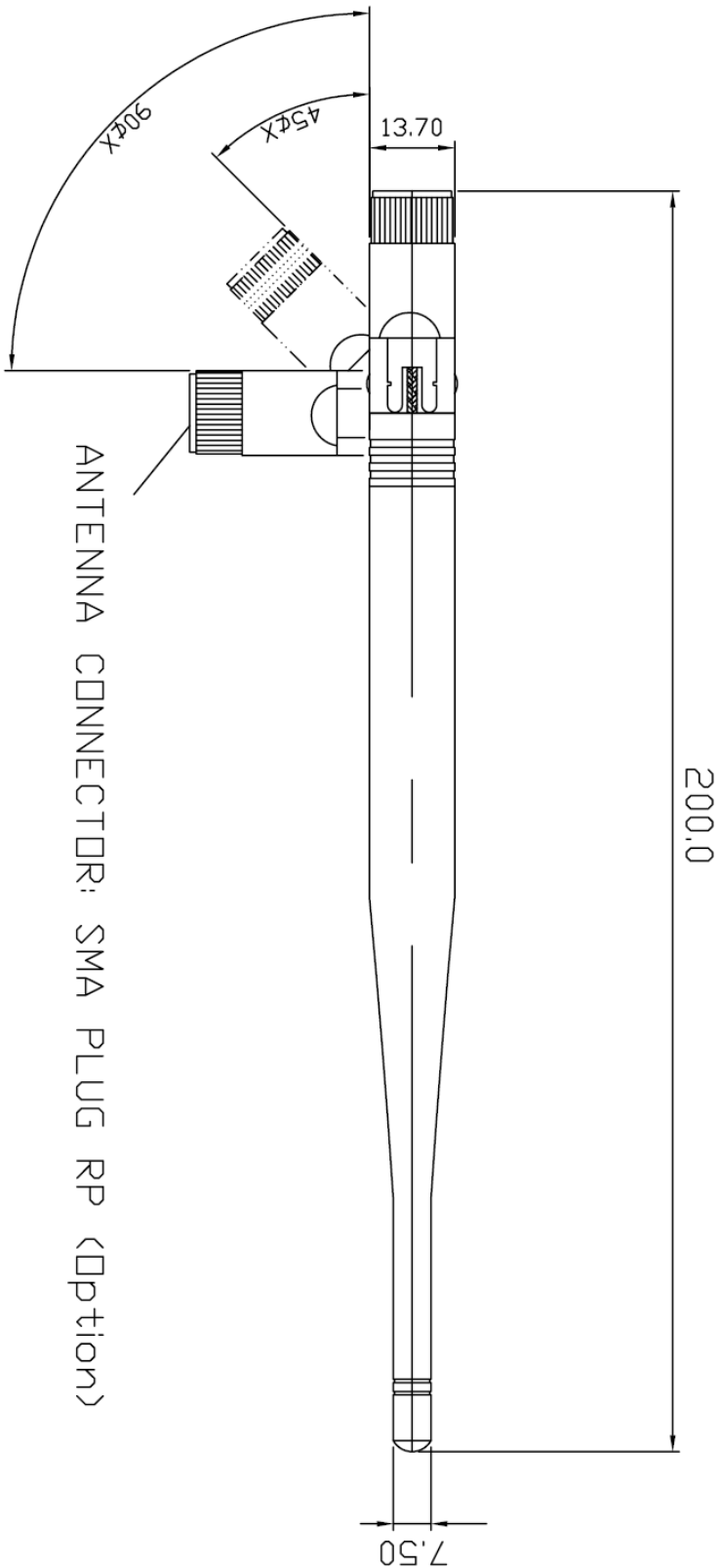
Specifications/Special Features :

This antenna is designed for wifi wireless Communications

Specification	
Model No.	DA-5158-02
Antenna Connector	SMA PLUG RP (Option)
Gain	5 dBi
Type	DIPOLE
Polarization	Linear Vertical
VSWR	$\leq 1.8 : 1$
Frequency	5100~5800MHz
Weight	30g
Size	L200×W13.7×H13.7mm

DA-5158-02

5.1-5.8GHz DIPOLE 5dBi FOR SMA PLUG RP (Option)

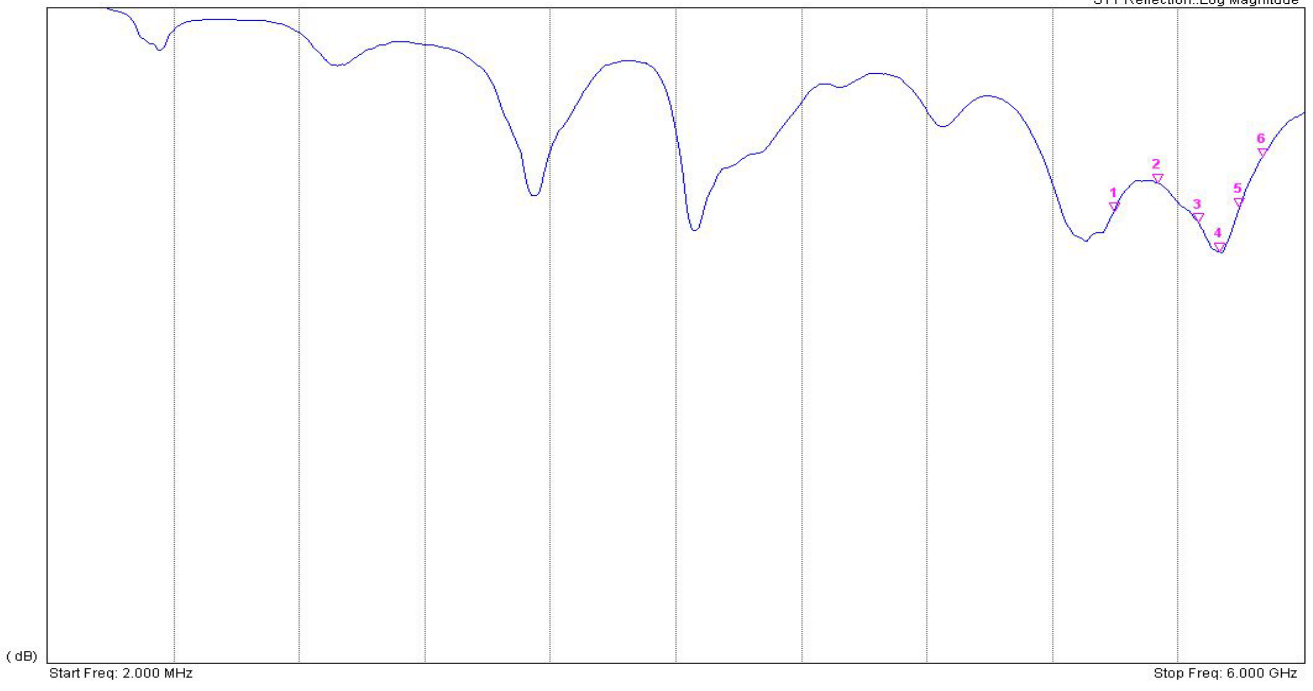


1	FREQUENCY : 5100-5800MHz	6	IMPEDANCE : 50 Ω
2	GAIN : 5dBi	7	
3	V.S.W.R : ≤1.8:1	8	
4	LENGTH : 200mm	9	
5	CONNECTOR : TNC & SMA ... (Option)	10	

VNA Measurement Data
 Captured (2008/11/27 下午 04:04:33)

VNA

S11 Reflection::Log Magnitude



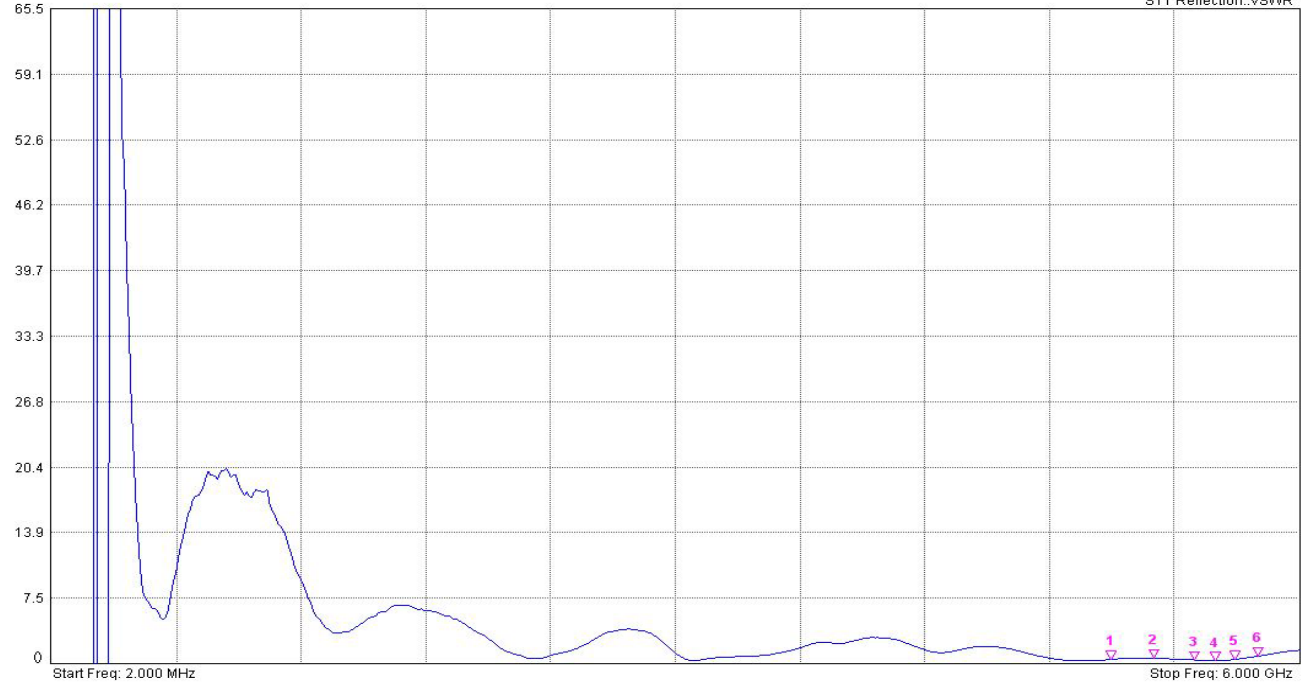
Mkr	Ref	Delta	Ref Freq	Ref Amp	Delta Freq	Delta Amp
1	<input type="checkbox"/>	<input type="checkbox"/>	5.0948 GHz	15.55 dB	--	--
2	<input type="checkbox"/>	<input type="checkbox"/>	5.3021 GHz	13.36 dB	--	--
3	<input type="checkbox"/>	<input type="checkbox"/>	5.4983 GHz	16.38 dB	--	--
4	<input type="checkbox"/>	<input type="checkbox"/>	5.5965 GHz	18.62 dB	--	--
5	<input type="checkbox"/>	<input type="checkbox"/>	5.6946 GHz	15.20 dB	--	--
6	<input type="checkbox"/>	<input type="checkbox"/>	5.8037 GHz	11.38 dB	--	--

Measurement Parameters			
Calibration Status	On	Serial Number	651009
Data Points	551	Base Ver.	V1.48
Output Power	High	App Ver.	V1.48
Start Frequency	2.000 MHz	Date	2008/11/27 下午 04:04:33
Stop Frequency	6.000 GHz	Device Name	

VNA Measurement Data
 Captured (2008/11/27 下午 04:04:33)

VNA

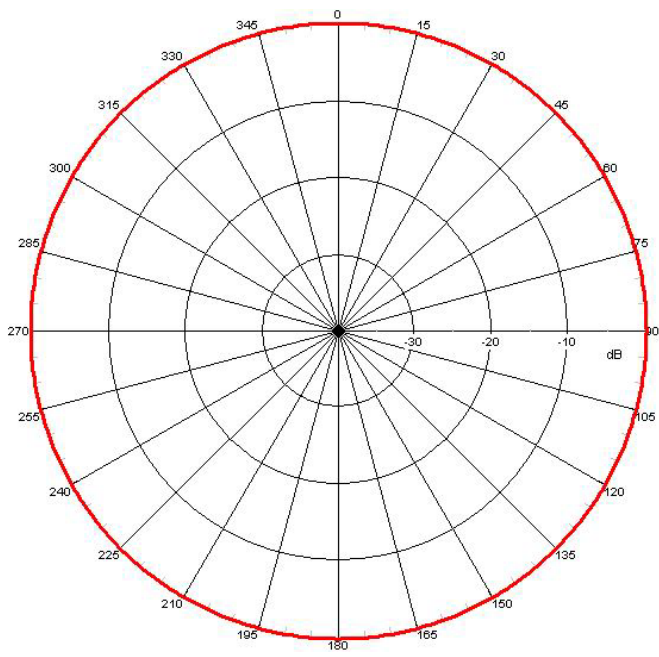
S11 Reflection::VSWR



Mkr	Ref	Delta	Ref Freq	Ref Amp	Delta Freq	Delta Amp
1	<input type="checkbox"/>	<input type="checkbox"/>	5.0948 GHz	1.40	--	--
2	<input type="checkbox"/>	<input type="checkbox"/>	5.3021 GHz	1.55	--	--
3	<input type="checkbox"/>	<input type="checkbox"/>	5.4983 GHz	1.36	--	--
4	<input type="checkbox"/>	<input type="checkbox"/>	5.5965 GHz	1.27	--	--
5	<input type="checkbox"/>	<input type="checkbox"/>	5.6946 GHz	1.42	--	--
6	<input type="checkbox"/>	<input type="checkbox"/>	5.8037 GHz	1.74	--	--

Measurement Parameters			
Calibration Status	On	Serial Number	651009
Data Points	551	Base Ver.	V1.48
Output Power	High	App Ver.	V1.48
Start Frequency	2.000 MHz	Date	2008/11/27 下午 04:04:33
Stop Frequency	6.000 GHz	Device Name	

H-PLANE



E-PLANE

