

2.4-2.5GHz DIPOLE TENON 2dBi+RG178+IPEX Length=250mm (Option)



**Specifications/Special Features :**

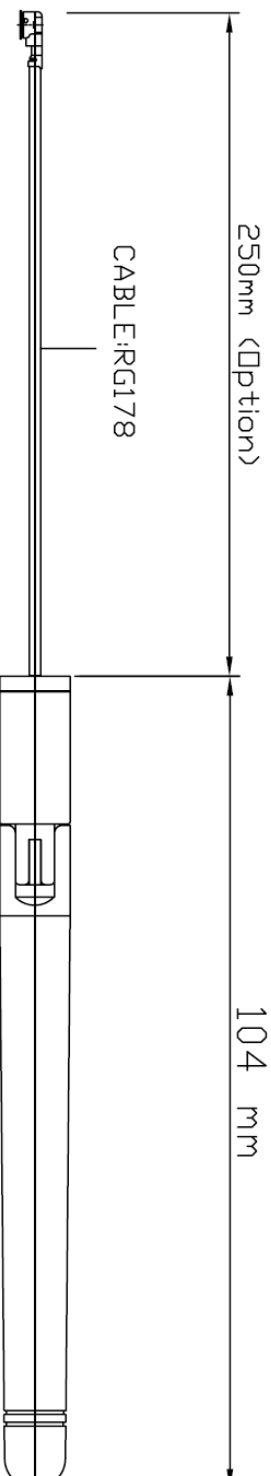
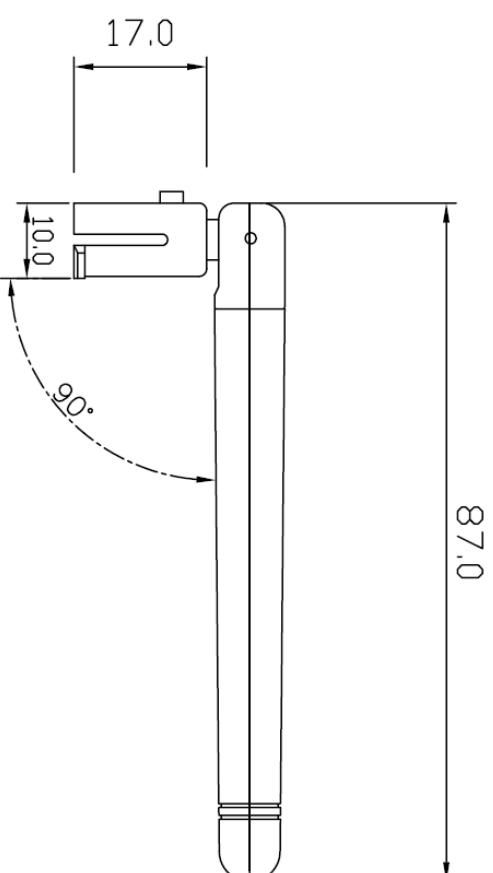
**This antenna is designed for wireless communications**

Specification	
Model No.	DA-24-05-IPEX
Frequency Range	2.4~2.5GHz
Impedance	50 ohm
SWR	$\leq 1.5 :1$
Gain	2 dBi
Polarization	Vertical
Antenna Type	Dipole
Cable Connector	MHF IPEX
Antenna+Tenon Color	black (Option)
Demension	L104xW10xH10 mm
Operation Temperature	-20 °C ~ +65 °C
Storage Temperature	-30 °C ~ +75 °C

DA-24-05-IPEX

2.4-2.5GHz Dipole Tenon 2dBi+RG178+IPEX

Length=250mm (Option)



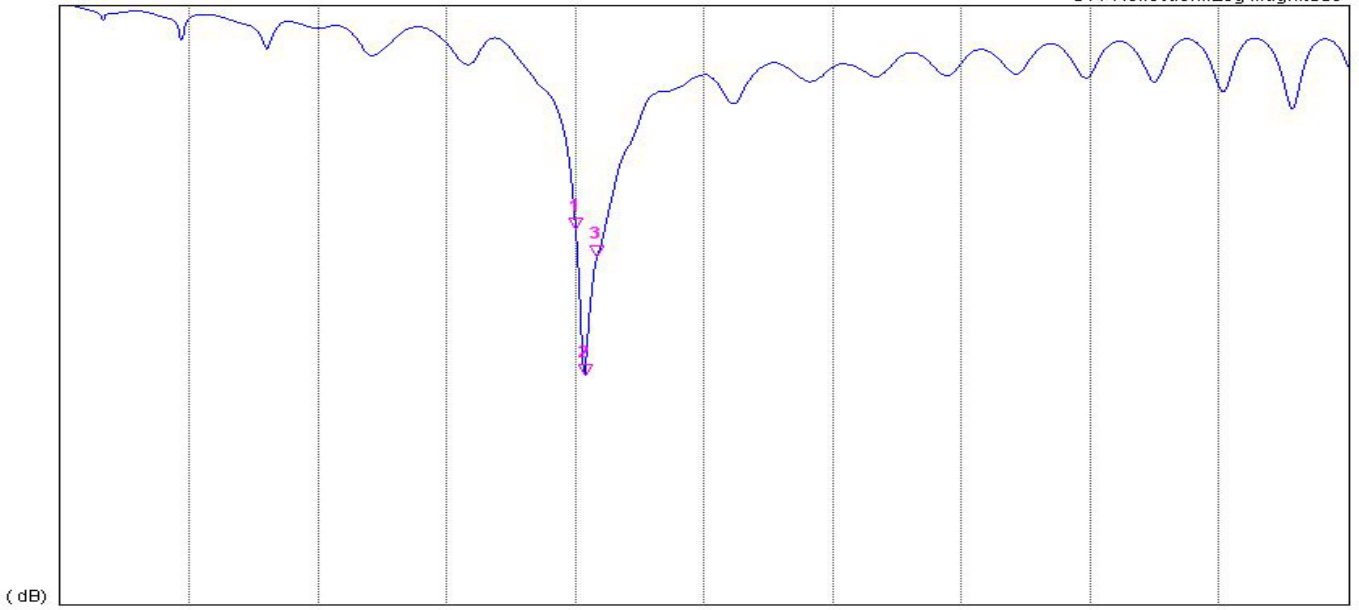
MHF IPEX

1	FREQUENCY : 2.4 -2.5GHz	6	IMPEDANCE : 50 Ω
2	GAIN : 2dBi	7	
3	V.S.W/R : <1.5:1	8	
4	DIMENSION : L104×W10×H10 mm	9	
5	CONNECTOR : MHF IPEX	10	

VNA Measurement Data  
 Captured (2007/8/2 下午 03:16:15)

VNA

S11 Reflection::Log Magnitude



Start Freq: 2.000 MHz

Stop Freq: 6.000 GHz

Mkr	Ref	Delta	Ref Freq	Ref Amp	Delta Freq	Delta Amp
1	<input type="checkbox"/>	<input type="checkbox"/>	2.4012 GHz	18.61 dB	--	--
2	<input type="checkbox"/>	<input type="checkbox"/>	2.4448 GHz	30.84 dB	--	--
3	<input type="checkbox"/>	<input type="checkbox"/>	2.4993 GHz	20.92 dB	--	--
4	<input type="checkbox"/>	<input type="checkbox"/>	--	--	--	--
5	<input type="checkbox"/>	<input type="checkbox"/>	--	--	--	--
6	<input type="checkbox"/>	<input type="checkbox"/>	--	--	--	--

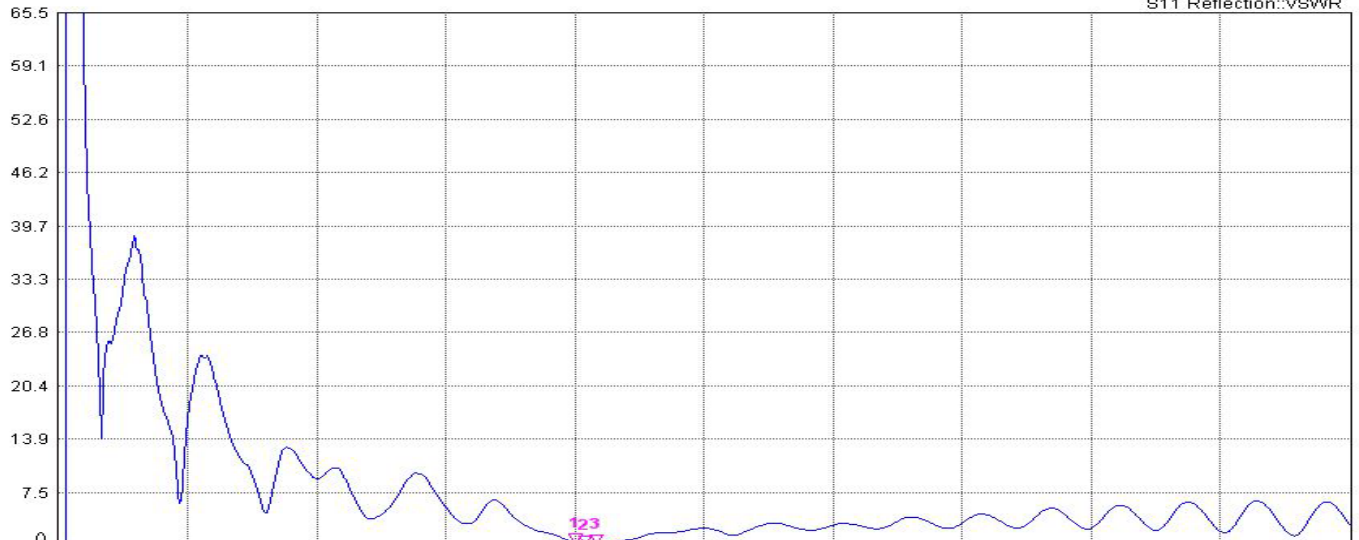
Measurement Parameters

Calibration Status	On	Serial Number	651009
Data Points	551	Base Ver.	V1.48
Output Power	High	App Ver.	V1.48
Start Frequency	2.000 MHz	Date	2007/8/2 下午 03:16:15
Stop Frequency	6.000 GHz	Device Name	

VNA Measurement Data  
 Captured (2007/8/2 下午 03:16:15)

VNA

S11 Reflection::VSWR



Start Freq: 2.000 MHz

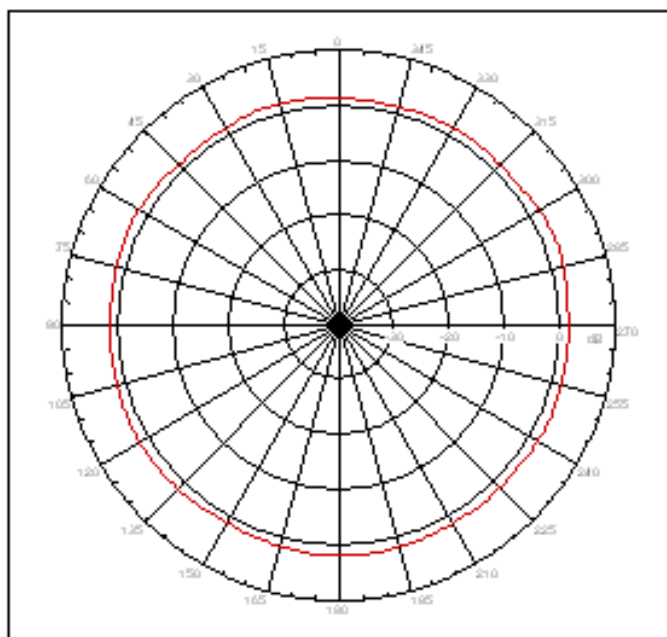
Stop Freq: 6.000 GHz

Mkr	Ref	Delta	Ref Freq	Ref Amp	Delta Freq	Delta Amp
1	<input type="checkbox"/>	<input type="checkbox"/>	2.4012 GHz	1.27	--	--
2	<input type="checkbox"/>	<input type="checkbox"/>	2.4448 GHz	1.06	--	--
3	<input type="checkbox"/>	<input type="checkbox"/>	2.4993 GHz	1.20	--	--
4	<input type="checkbox"/>	<input type="checkbox"/>	--	--	--	--
5	<input type="checkbox"/>	<input type="checkbox"/>	--	--	--	--
6	<input type="checkbox"/>	<input type="checkbox"/>	--	--	--	--

Measurement Parameters

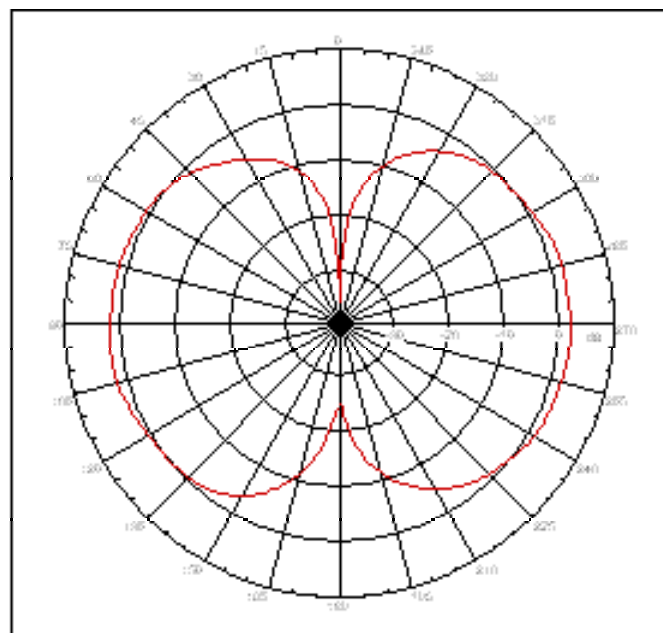
Calibration Status	On	Serial Number	651009
Data Points	551	Base Ver.	V1.48
Output Power	High	App Ver.	V1.48
Start Frequency	2.000 MHz	Date	2007/8/2 下午 03:16:15
Stop Frequency	6.000 GHz	Device Name	

## H-PLANE



2.45GHz\_H-plane

## E-PLANE



2.45GHz\_E-plane