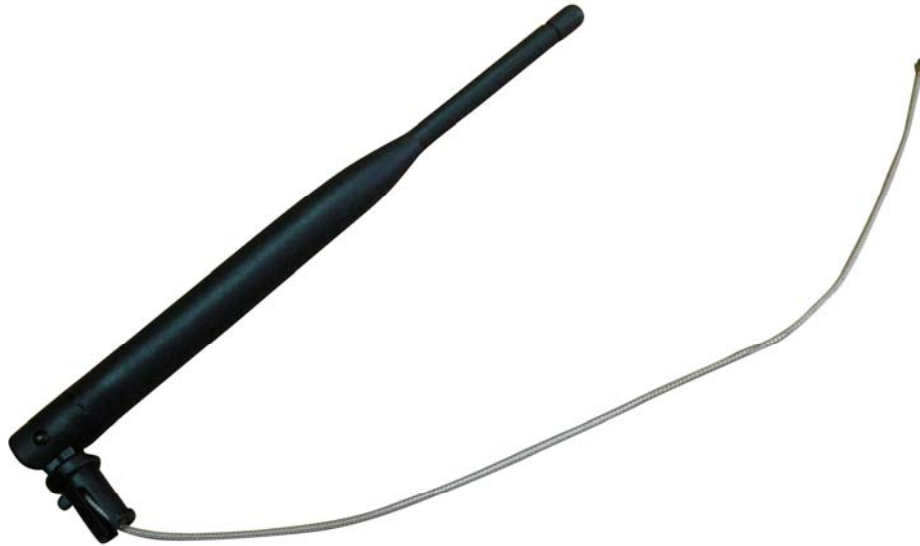




長 宏 科 技 有 限 公 司
Chang Hong Information Co., Ltd.

2.4-2.5GHz DIPOLE TENON 5 dBi+RG178+IPEX Length=150mm (Option)



ROHS

Specifications/Special Features :

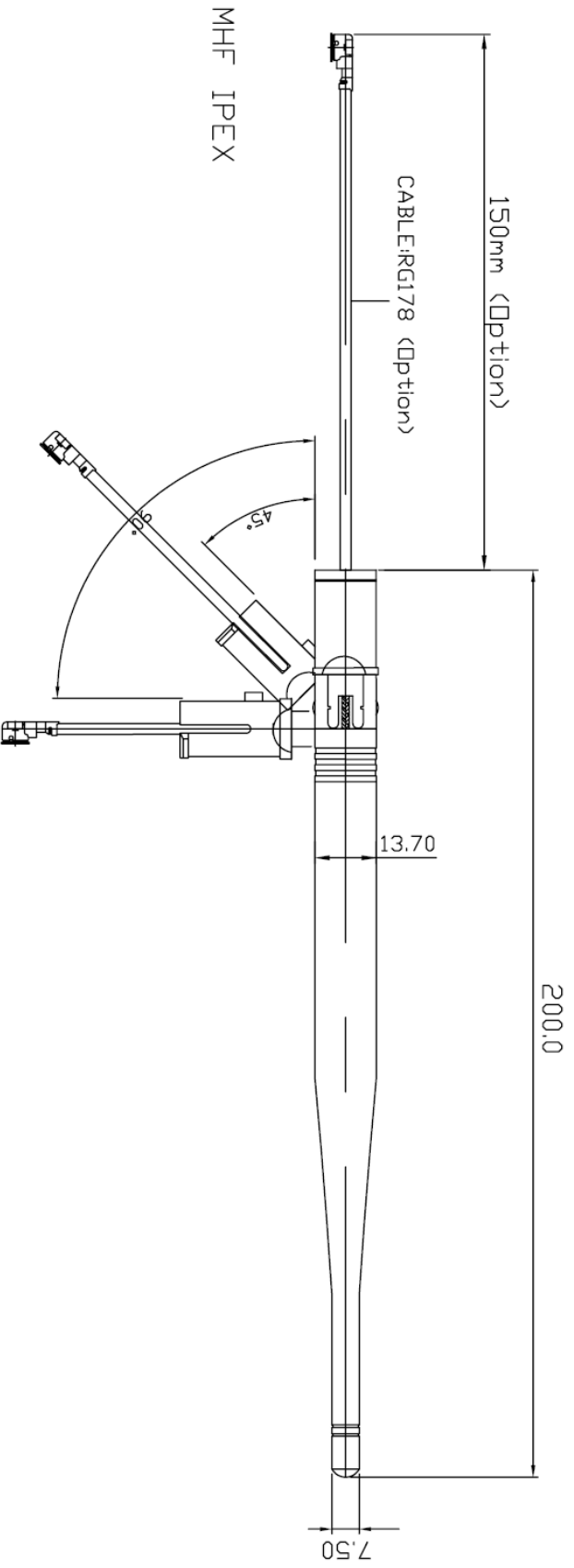
This antenna is designed for wifi wireless communications

Specification	
Model No.	DA-24-12-IPEX
Frequency	2400~2500MHz
Antenna Type	Dipole Tenon
Gain (dBi)	5 dBi
Polarization	Linear Vertical
V.S.W.R	$\leq 1.6 : 1$
Cable	RG178 Length=150mm (Option)
Antenna Connector	MHF IPEX
Impedence	50 OHM
Max Power	50 W
Weight	29g
Size	H200×W13.7×H13.7mm

DA-24-12-IPEX

2.4-2.5GHz DIPOLE TENON 5dbi+RG178+IPEX

Length=150mm (Option)

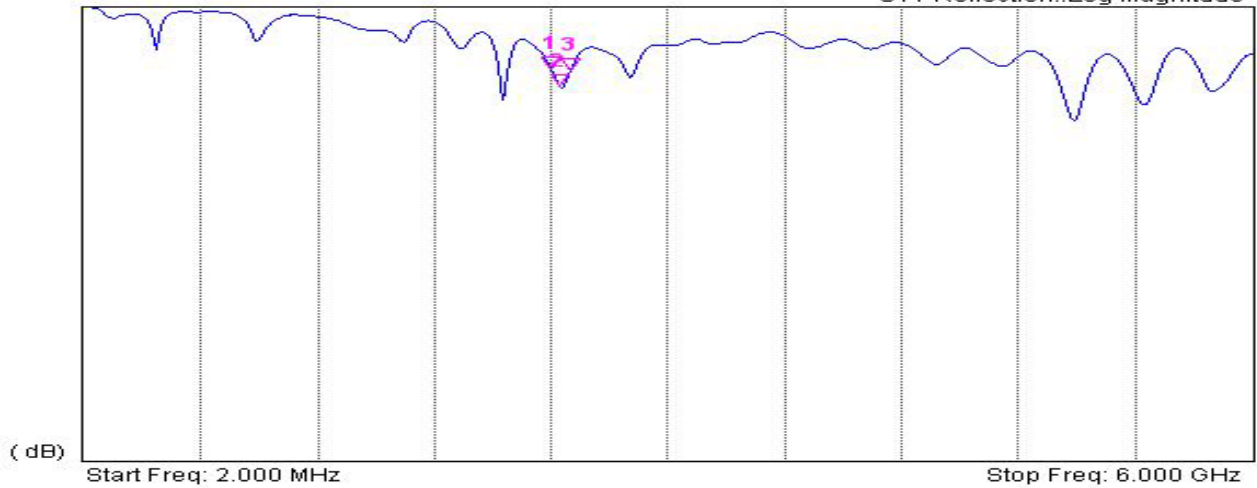


1	FREQUENCY : 2400-2500MHz	6	IMPEDANCE : 50 Ω
2	GAIN : 5dBi	7	CABLE:RG178
3	V.S.W.R : ≤1.5:1	8	
4	ANTENNA LENGTH : 200x13.7x13.7 mm	9	
5	ANTENNA CONNECTOR : MHF IPEX	10	

VNA Measurement Data
 Captured (2008/1/30 下午 05:06:37)

VNA

S11 Reflection::Log Magnitude



Mkr	Ref	Delta	Ref Freq	Ref Amp	Delta Freq	Delta Amp
1	<input type="checkbox"/>	<input type="checkbox"/>	2.4012 GHz	13.73 dB	--	--
2	<input type="checkbox"/>	<input type="checkbox"/>	2.4448 GHz	17.46 dB	--	--
3	<input type="checkbox"/>	<input type="checkbox"/>	2.4993 GHz	13.98 dB	--	--
4	<input type="checkbox"/>	<input type="checkbox"/>	--	--	--	--
5	<input type="checkbox"/>	<input type="checkbox"/>	--	--	--	--
6	<input type="checkbox"/>	<input type="checkbox"/>	--	--	--	--

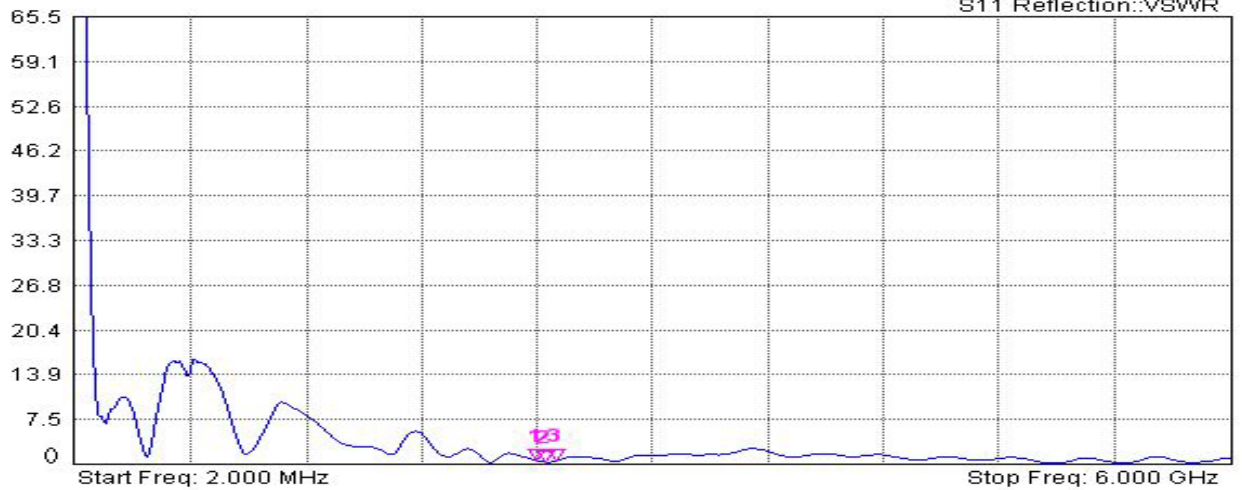
Measurement Parameters

Calibration Status	On	Serial Number	651009
Data Points	551	Base Ver.	V1.48
Output Power	High	App Ver.	V1.48
Start Frequency	2.000 MHz	Date	2008/1/30 下午 05:06:37
Stop Frequency	6.000 GHz	Device Name	

VNA Measurement Data
 Captured (2008/1/30 下午 05:06:37)

VNA

S11 Reflection::VSWR

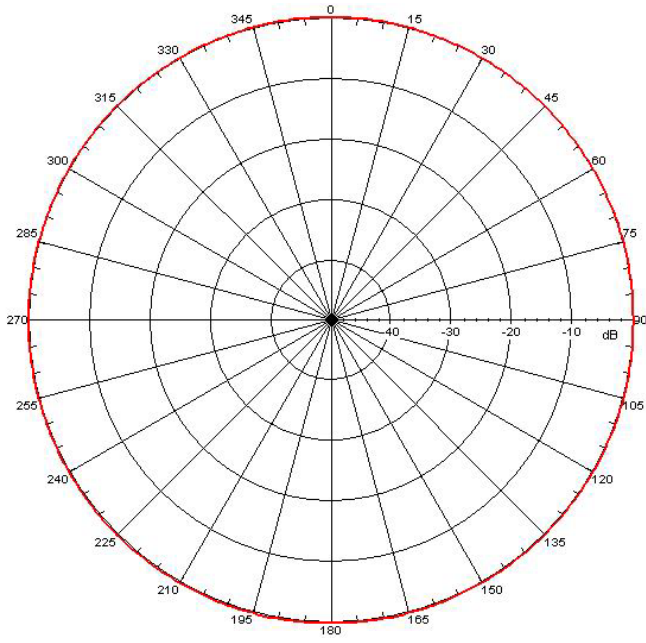


Mkr	Ref	Delta	Ref Freq	Ref Amp	Delta Freq	Delta Amp
1	<input type="checkbox"/>	<input type="checkbox"/>	2.4012 GHz	1.52	--	--
2	<input type="checkbox"/>	<input type="checkbox"/>	2.4448 GHz	1.31	--	--
3	<input type="checkbox"/>	<input type="checkbox"/>	2.4993 GHz	1.50	--	--
4	<input type="checkbox"/>	<input type="checkbox"/>	--	--	--	--
5	<input type="checkbox"/>	<input type="checkbox"/>	--	--	--	--
6	<input type="checkbox"/>	<input type="checkbox"/>	--	--	--	--

Measurement Parameters

Calibration Status	On	Serial Number	651009
Data Points	551	Base Ver.	V1.48
Output Power	High	App Ver.	V1.48
Start Frequency	2.000 MHz	Date	2008/1/30 下午 05:06:37
Stop Frequency	6.000 GHz	Device Name	

H-PLANE



E-PLANE

