

2.4-2.5GHz DIPOLE TENON 7 dBi+RG178+IPEX Length=150mm (Option)

ROHS



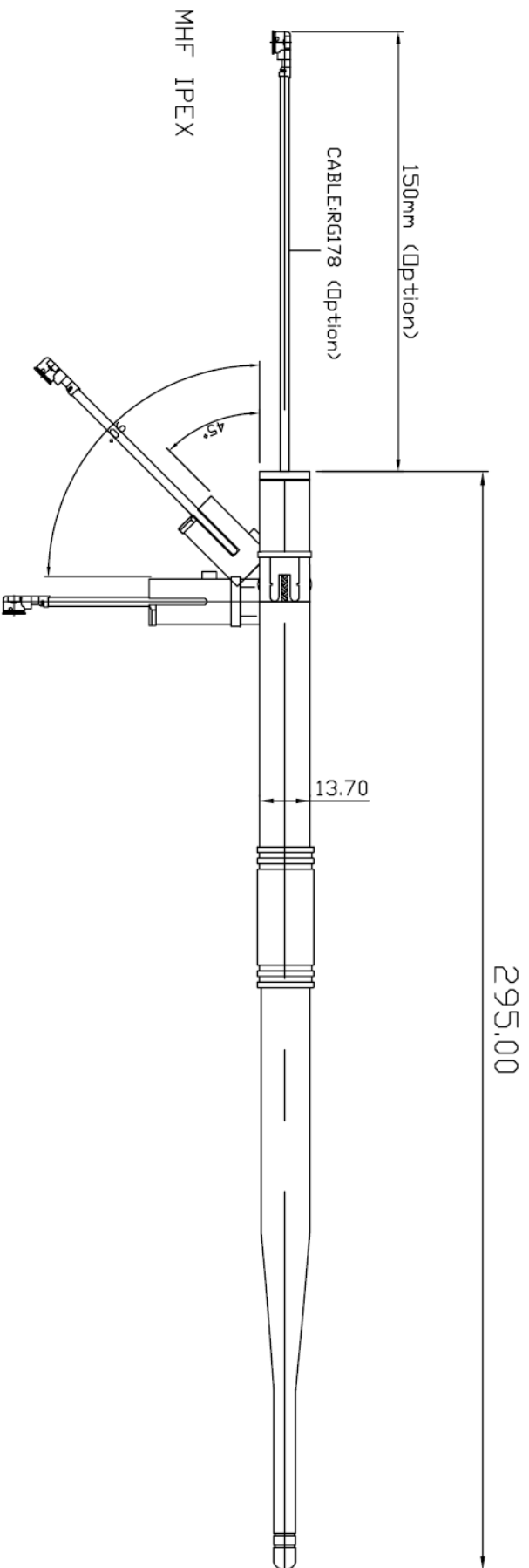
Specifications/Special Features :

This antenna is designed for wifi wireless communications

Specification	
Model No.	DA-24-13-IPEX
Frequency	2400~2500MHz
Antenna Type	Dipole Tenon
Gain (dBi)	7 dBi
Polarization	Linear Vertical
V.S.W.R	$\leq 1.6 : 1$
Cable	RG178 Length=150mm (Option)
Antenna Connector	MHF IPEX
Impedence	50 OHM
Max Power	50 W
Weight	39g
Size	H295×W13.7×H13.7mm

DA-24-13-IPEX

2.4-2.5GHz DIPOLE TENON 7dbi+RG178+IPEX Length=150mm (Option)

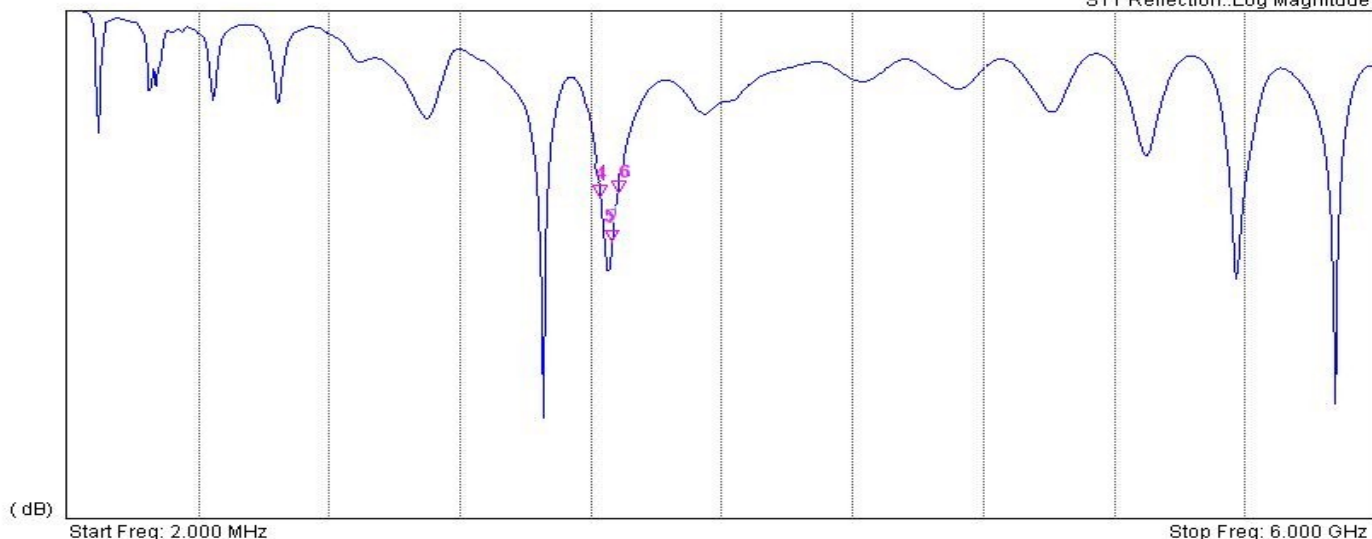


1	FREQUENCY : 2400-2500 MHz	6	IMPEDANCE : 50 Ω
2	GAIN : 7dbi	7	CABLE: RG178
3	V.S.W.R : ≤1.6:1	8	
4	ANTENNA LENGTH : 295x13.7x13.7 mm	9	
5	ANTENNA CONNECTOR : MHF IPEX	10	

VNA Measurement Data
 Captured (2008/3/7 下午 01:04:44)

VNA

S11 Reflection::Log Magnitude



Mkr	Ref	Delta	Ref Freq	Ref Amp	Delta Freq	Delta Amp
1	<input type="checkbox"/>	<input type="checkbox"/>	--	--	--	--
2	<input type="checkbox"/>	<input type="checkbox"/>	--	--	--	--
3	<input type="checkbox"/>	<input type="checkbox"/>	--	--	--	--
4	<input type="checkbox"/>	<input type="checkbox"/>	2.4012 GHz	17.25 dB	--	--
5	<input type="checkbox"/>	<input type="checkbox"/>	2.4448 GHz	22.73 dB	--	--
6	<input type="checkbox"/>	<input type="checkbox"/>	2.4993 GHz	18.34 dB	--	--

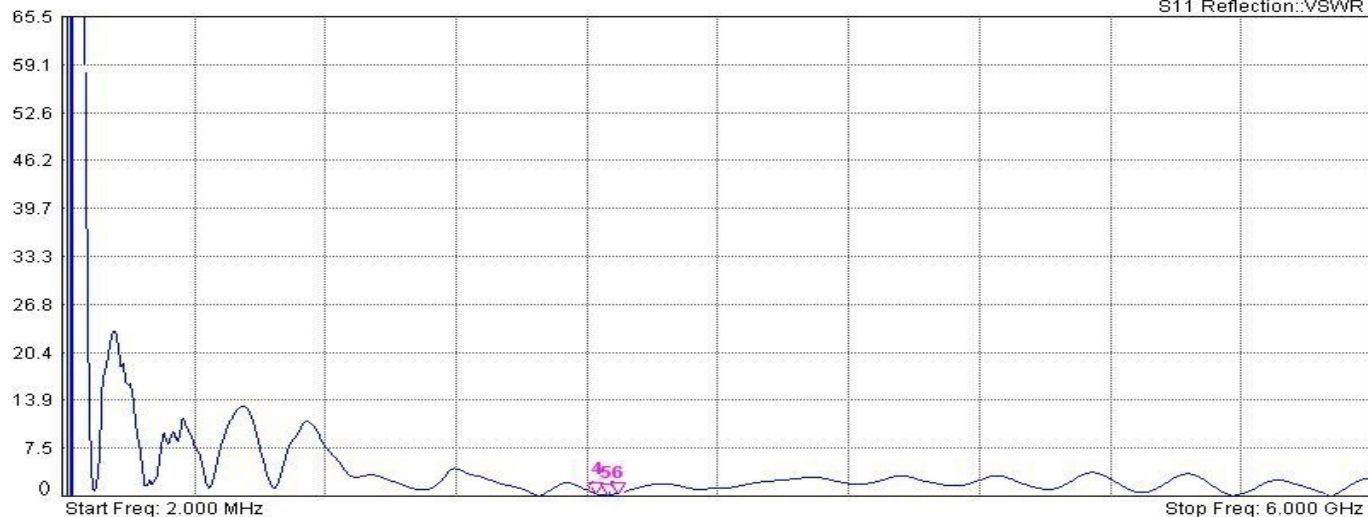
Measurement Parameters

Calibration Status	On	Serial Number	651009
Data Points	551	Base Ver.	V1.48
Output Power	High	App Ver.	V1.48
Start Frequency	2.000 MHz	Date	2008/3/7 下午 01:04:44
Stop Frequency	6.000 GHz	Device Name	

VNA Measurement Data
 Captured (2008/3/7 下午 01:04:44)

VNA

S11 Reflection::VSWR

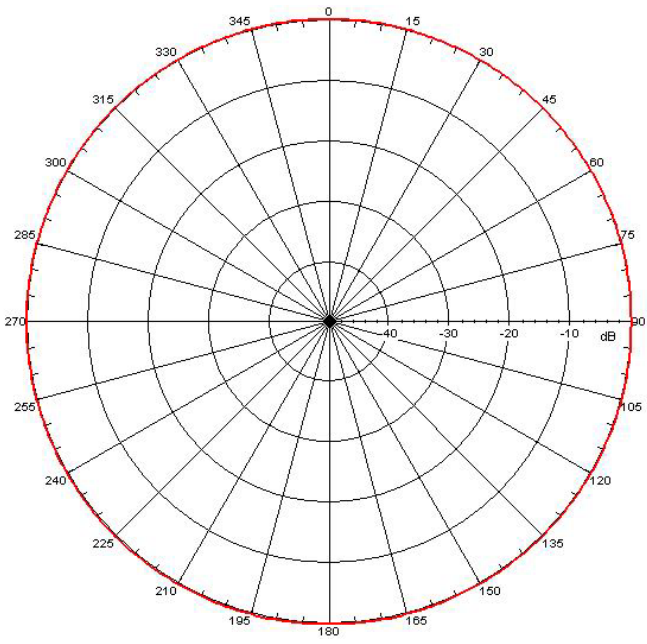


Mkr	Ref	Delta	Ref Freq	Ref Amp	Delta Freq	Delta Amp
1	<input type="checkbox"/>	<input type="checkbox"/>	--	--	--	--
2	<input type="checkbox"/>	<input type="checkbox"/>	--	--	--	--
3	<input type="checkbox"/>	<input type="checkbox"/>	--	--	--	--
4	<input type="checkbox"/>	<input type="checkbox"/>	2.4012 GHz	1.42	--	--
5	<input type="checkbox"/>	<input type="checkbox"/>	2.4448 GHz	1.28	--	--
6	<input type="checkbox"/>	<input type="checkbox"/>	2.4993 GHz	1.38	--	--

Measurement Parameters

Calibration Status	On	Serial Number	651009
Data Points	551	Base Ver.	V1.48
Output Power	High	App Ver.	V1.48
Start Frequency	2.000 MHz	Date	2008/3/7 下午 01:04:44
Stop Frequency	6.000 GHz	Device Name	

H-PLANE



E-PLANE

