

## 2.4-2.5GHz 1/4 WAVE 2 dBi FOR SMA PLUG R/A



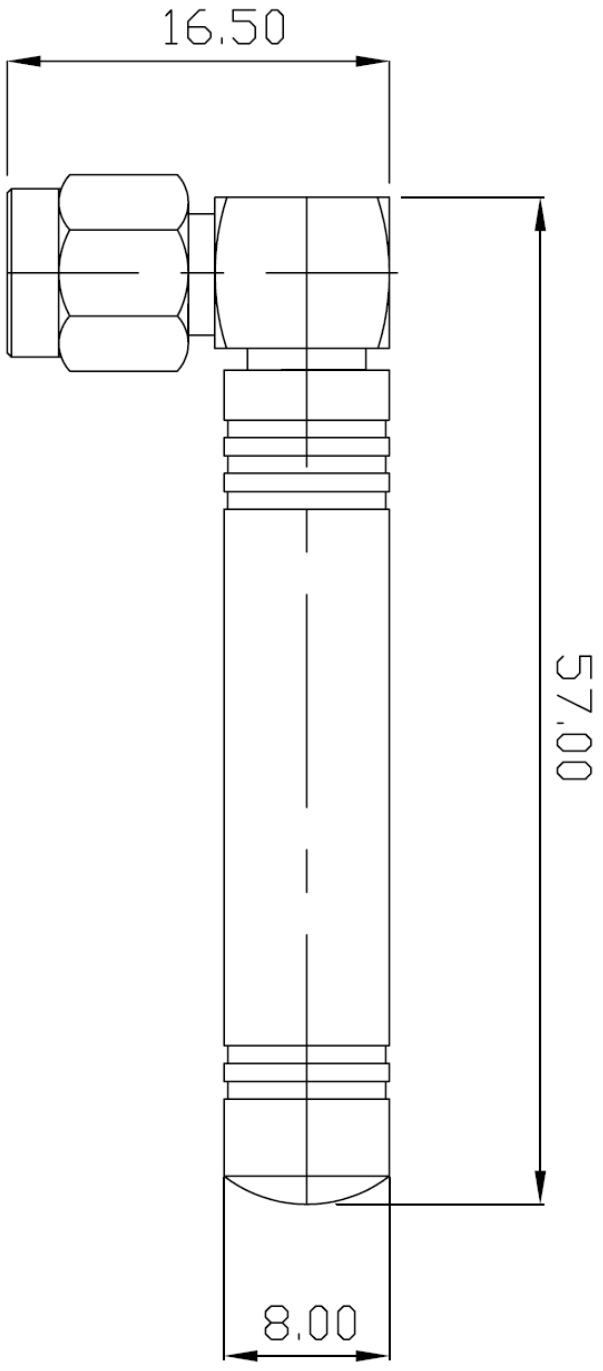
Specifications/Special Features :

This antenna is designed for wifi wireless Communications

Specification	
Model No.	DA-24-15-SMRA
Frequency	2400-2500 MHz
Gain	2dBi
V.S.W.R	<=1.5:1
Polarization	Vertical
Connector	SMA PLUG Right Angle
Impedance	50Ω
Operation temperature	-20°C ~+60°C
Storage temperature	-30°C ~+75°C
Dimensions	L57 x W16.5 x H8 mm

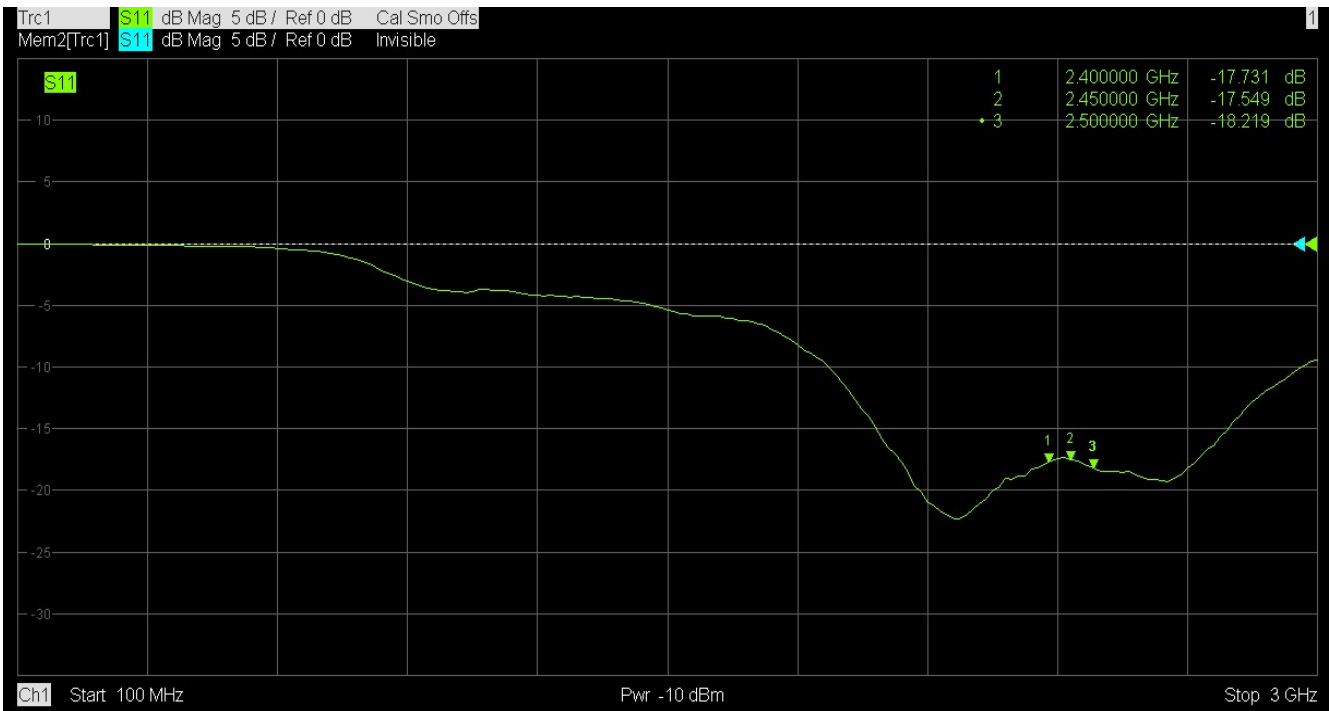
DA-24-15-SMRA

2.4-2.5GHz 1/4 WAVE 2 dBi FOR SMA PLUG R/A

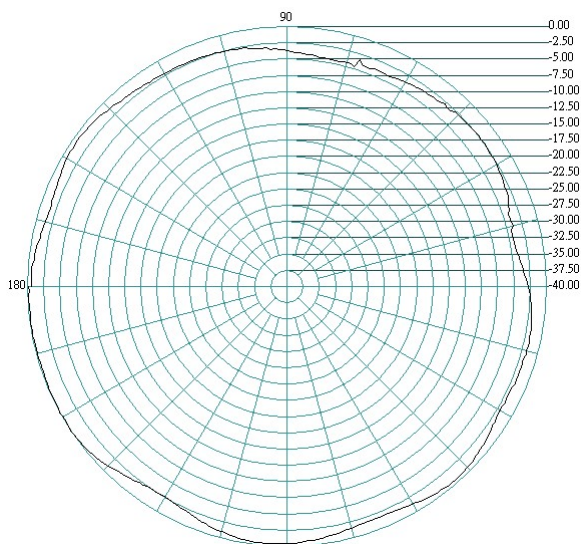


Antenna Connector: SMA PLUG RIGHT ANGLE

1	FREQUENCY : 2.4-2.5GHz	6	IMPEDANCE : 50 Ω
2	GAIN : 2 dBi	7	
3	V.S.W.R : <=1.5	8	
4	LENGTH : 57 mm	9	
5	CONNECTOR : SMA PLUG R/A	10	



**H-PLANE**



**E-PLANE**

