



長 宏 科 技 有 限 公 司
Chang Hong Information Co., Ltd.

5.1-5.8GHz DIPOLE TENON 7dbi+RG178(15CM)+IPEX



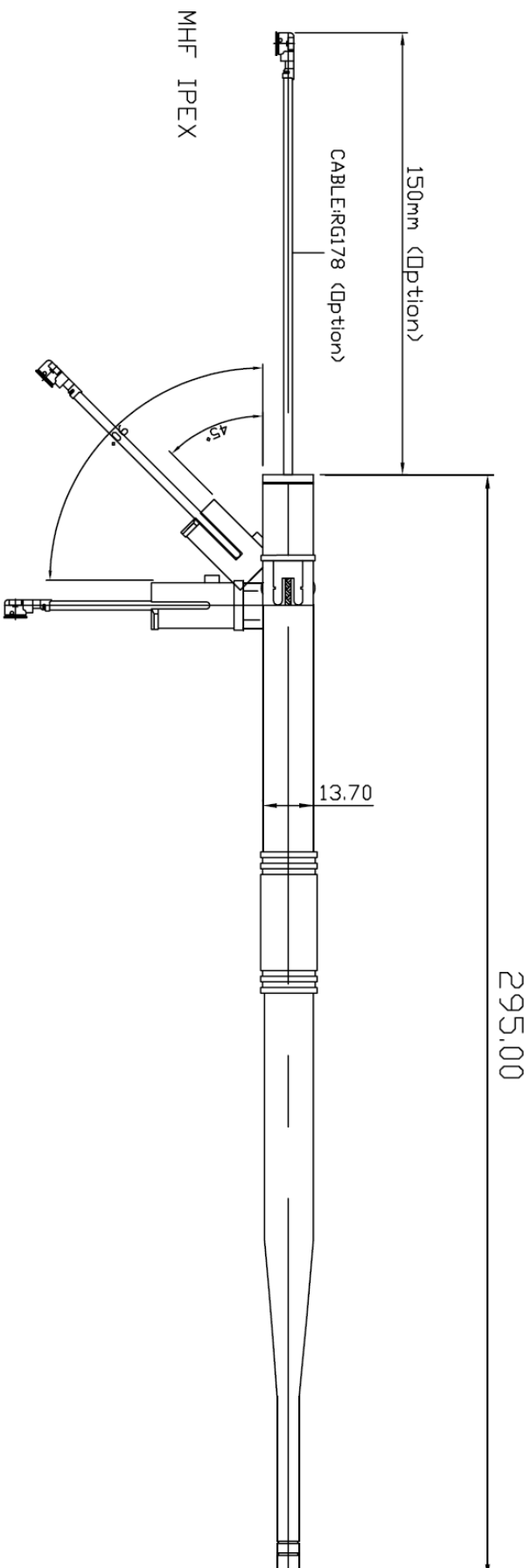
Specifications/Special Features :

This antenna is designed for wifi wireless communications

Specification	
Model No.	DA-5158-06
Frequency	5100~5800MHz
Antenna Type	Dipole+Tenon
Gain (dBi)	7 dBi
Polarization	Linear Vertical
V.S.W.R	$\leq 2.2 : 1$
Antenna Cable	RG178 Length=150mm (Option)
Antenna Connector	MHF IPEX
Impedence	50 OHM
Max Power	50 W
Weight	39g
Size	H295xW13.7xH13.7mm

DA-5158-06

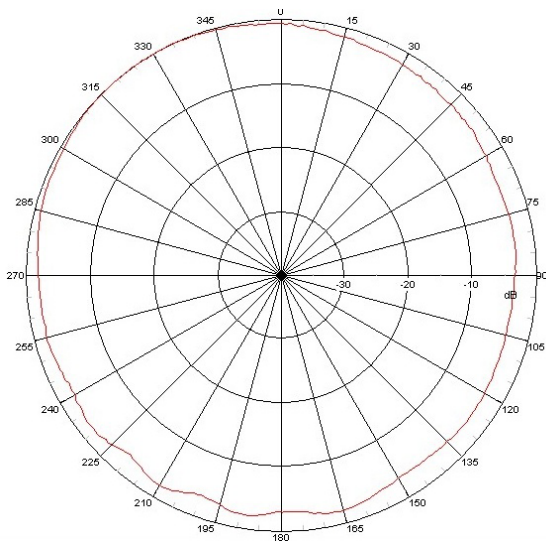
5.1-5.8GHz DIPOLE TENON 7dbi+RG178(15CM)+IPEX



1	FREQUENCY : 5100-5800MHz	6	IMPEDANCE : 50 Ω
2	GAIN : 7dbi	7	CABLE: RG178
3	V.S.W.R : <=2.2:1	8	
4	ANTENNA LENGTH : 295x13.7x13.7 mm	9	
5	ANTENNA CONNECTOR : MHF IPEX	10	



H-PLANE



E-PLANE

